



GPT-LED - Luminaire Single LED

Put a removable stainless battery lamp to safety light your process without any electrical wire

Description

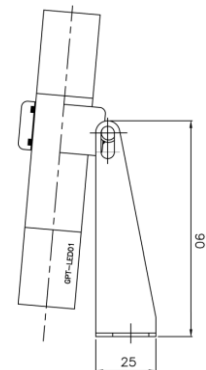
Powerful stainless steel luminaire can be mounted directly to any standard sight glass or TKC-Connections welded on vessel or pipeline and provides up to 155 Lumens of intense glare free illumination through a safety glass lens. Extremely compact, without any wire, this battery lamp are ideally suited for use with fittings in aseptic conditions such as small vessels trolley mounted or pipeline in pharmaceutical industries where strict cleanliness codes are required.

Key features

Item Type	Flashlights
Lumen	600
Charger	Rechargeable
Body Material	Stainless Steel
Light Source	LED Bulbs
Zoom	No
Wattage	5W
Battery Type	Lithium Ion,18650
Certification	CCC,CE,CQC
Waterproof	Yes
Color	Light Grey
Lighting Distance	200-500 m
Switch Mode	Zoom In
Support Dimmer	2-4 files
Function	Shock Resistant
Body Color	Silver
Model of LED Beads	Q5
Focal Length	Non-adjustable
Flashlight Type	Hike



with adjustable hinged bracket



Portable bright appearance is not easy to be scratched, solid

Dimensions and Weight

- Dimension: diameter 25 mm, total length 124 mm
- Weight: 85 gr

Size connections

- GPT-LEDxx battery lamp can be directly bolted to any size of standard flange or TK-Conn with TK-sight glass, by using an adjustable hinged bracket, or...
- Directly pressed onto TKC connect polycarbonate clamped sight glass in size of 1"1/2 or 2" clamp ASME-BPE



Get the information you need and more at : info@aerreinox.it

In the interests of development and improvement of the product, we reserve the right to change the specifications without prior notice.



Sanitary
flow
equipment



LS3512LED Luminaire - Led (no Ex)

Applications:

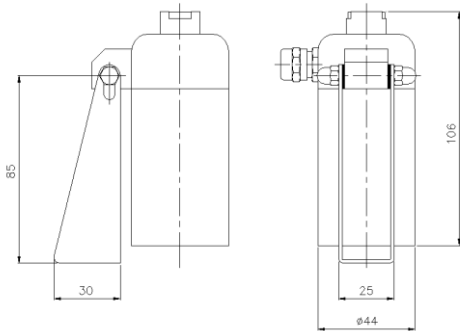
Powerful stainless steel LS3512LED led luminaire can be mounted directly to any standard flanged sight glass or TK-Sight glass welded on vessel or pipeline and provides up to 35 watts of intense glare free illumination through a safety glass lens. Extremely compact are ideally suited for use with fittings for Aseptic conditions such as small sight glass

LS3512LED is available with push button momentary on/off switch as well as for continuous operation.

LED lamp with 3W power providing a pleasant light tone. It replaces the bi-in halogen lamps, offering a focused and high quality light.

Advantages:

- Powerful illumination
- Suitable for food & pharma processing
- Flexible, fast and simple installation with no risk of breakage
- Minimal crevice for sanitary applications
- Dust and water jet proof IP65
- Customized for your needs



Luminaire stainless steel LS3512LED model series

Outer dia. 44 mm

Light exit dia. 35 mm

Also available with adjustable hinged
bracket or security clamp for use
directly with TKC-Connections

Light

Power:	35 W
Power Voltage:	12V DC
Bright Flux:	250 lm
Light Beam:	30°
Chromatic Yield Index:	80
Duration:	30,000 Hours
Type of LED:	Epistar

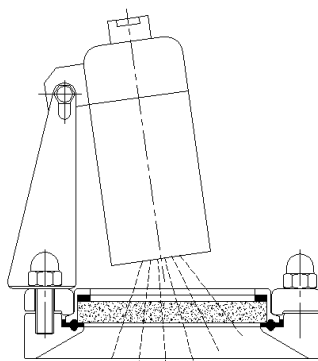
Optional: TK & TK-GLASS

Material

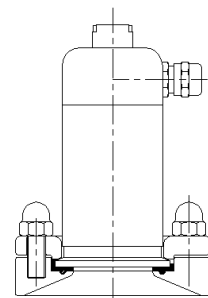
housing	ASTM A 479 / ASTM A 182 – 304
hinged bracket	ASTM A 479 / ASTM A 182 – 304
bolts	ASTM A 193 B8 – 304
glass	tempered glass

Surface finish:

external surface is satin finish Ra<0,8 micron or better



with adjustable
hinged bracket



directly mounted
on TKC-Connection

Get the information you need and more at : info@aerreinox.it

In the interests of development and improvement of the product, we reserve the right to change the specifications without prior notice.

Aerre Inox s.r.l.

26010 FIESCO Via Gerola n.4 -CREMONA - Italy
Tel. +39. 0374. 370828 Fax +39. 0374. 370833
e-mail : info@aerreinox.it http : www.aerreinox.it