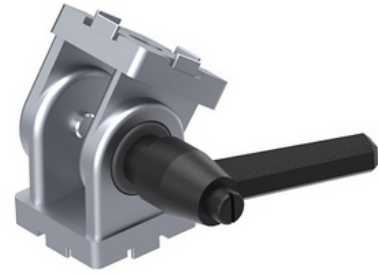
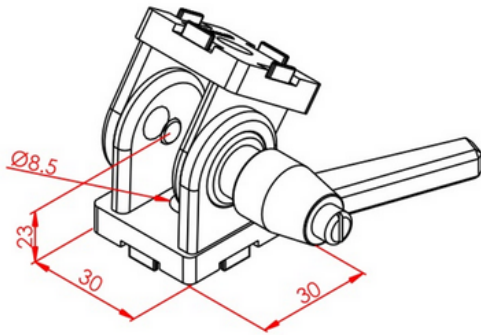


30X30 MOVING JOINT



General Specifications

With its movable connection feature, it allows angled connection of profiles from 90° to 270° . Because of clamping arms degrees can be fixed as desired .
It is based on a load of 600N in rotation direction

Stock Code	Stock Name	Material	Weight (gr)
2.2.009.08.3030	30x30 Moving Joint (Domestic)	Zinc 5	64