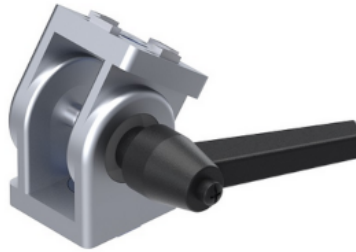
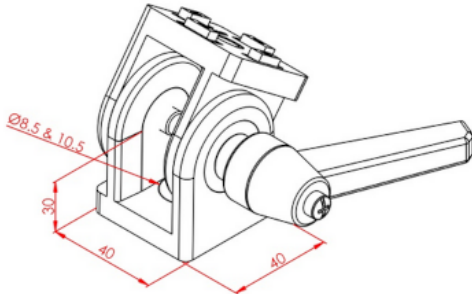


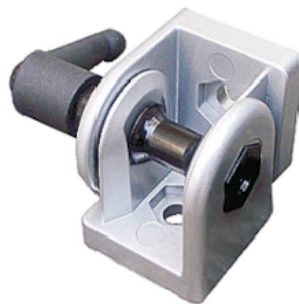
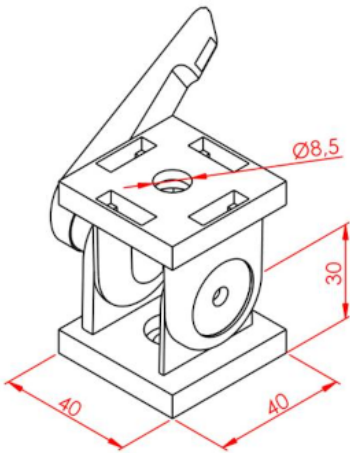
40X40 MOVING JOINT



General Specifications

With its movable connection feature, it allows angled connection of profiles from 90 ° to 270 °. Can be fixed to desired degree thanks to clamping arms. It is based on a load of 1000N in rotation direction. It is possible to use K10 and K8 profiles with connection rings and slots stabilizers.

Stock Code	Stock Name	Material	Weight (gr)
2.2.009.10.4040	40x40 Moving Joint (Domestic)	Zinc 5	158



General Specifications

Thanks to moving connection feature, it enables angular connection from 90° to 180° between profiles. Clamp levers enable fixing at desired angle.

Stock Code	Stock Name	Material	Weight (gr)
2.2.009.08.4040.0001	40x40 Moving Joint (Import)	Zinc	372