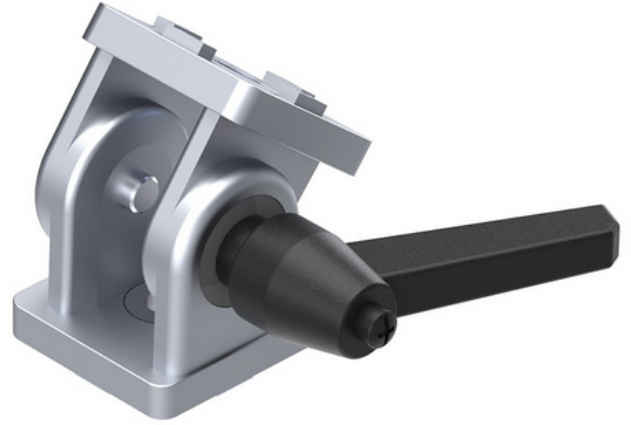
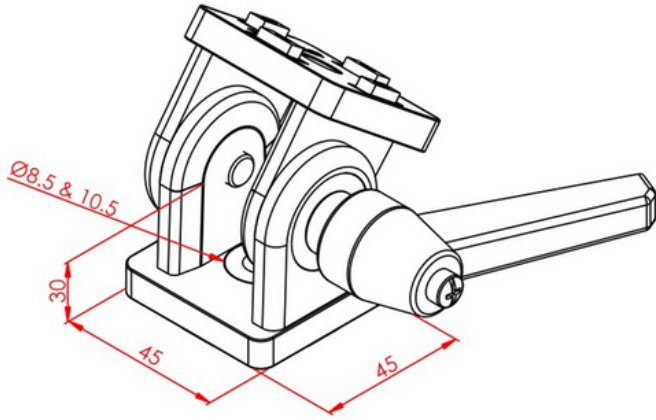


45X45 MOVING JOINT



General Specifications

With its movable connection feature, it allows angled connection of profiles from 90 ° to 270 °. Can be fixed to desired degree thanks to clamping arms.
It is based on a load of 1000N in rotation direction. It is possible to use K10 and K8 profiles with connection rings and slots stabilizers.

Stock Code	Stock Name	Material	Weight (gr)
2.2.009.10.4545	45x45 Moving Joint (Domestic)	ZAMAK 5	172