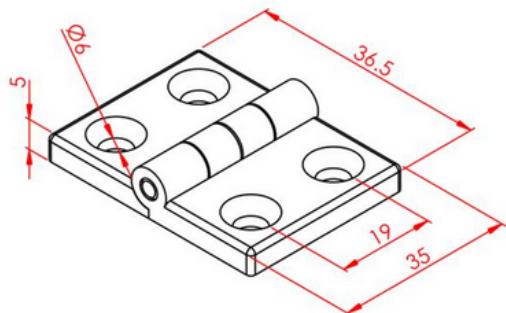
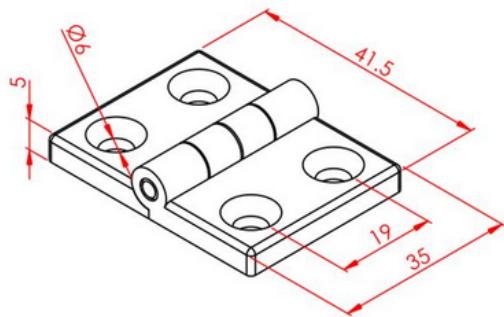


20X20 HINGE (THIN SERIES)

General Specifications

Hinges, which ensure opening and closing cabin and cabinet doors, are manufactured in line with slot axis size of profiles to be assembled.

Stock Code	Stock Name	Material	Weight (gr)
2.2.003.2020	20x20 Hinge (Thin Series)	Pa 6 Black	8,5

20X25 HINGE (THIN SERIES)

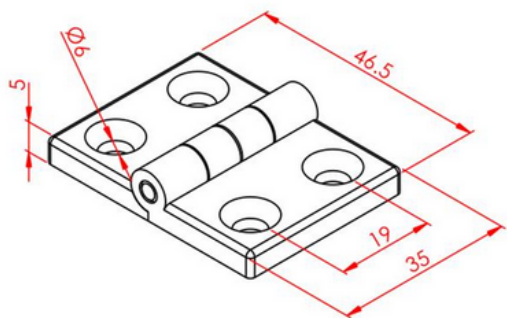


General Specifications

Hinges, which ensure opening and closing cabin and cabinet doors, are manufactured in line with slot axis size of profiles to be assembled.

Stock Code	Stock Name	Material	Weight (gr)
2.2.003.2025	20x25 Hinge (Thin Series)	Pa 6 Black	10

25X25 HINGE (THIN SERIES)

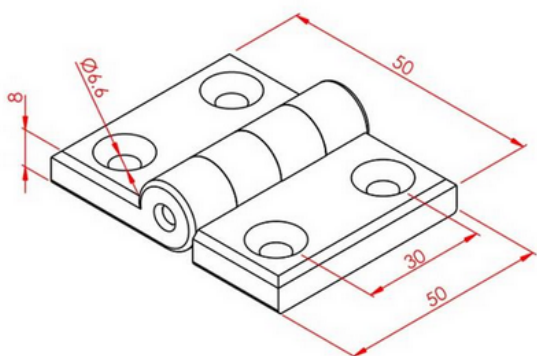


General Specifications

Hinges, which ensure opening and closing cabin and cabinet doors, are manufactured in line with slot axis size of profiles to be assembled.

Stock Code	Stock Name	Material	Weight (gr)
2.2.003.2525	25x25 Hinge (Thin Series)	Pa 6 Black	11

30X30 HINGE

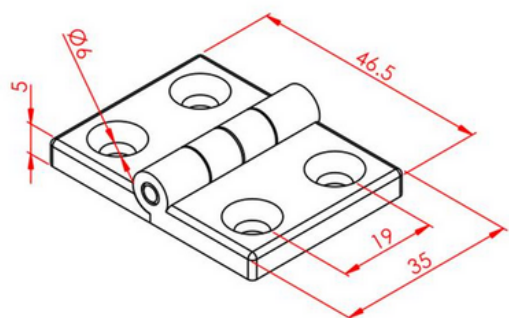


General Specifications

Hinges, which ensure opening and closing cabin and cabinet doors, are manufactured in line with slot axis size of profiles to be assembled.

Stock Code	Stock Name	Material	Weight (gr)
2.2.003.3030	30x30 Hinge	Pa 6 Black	29,5

30X30 HINGE (THIN SERIES)

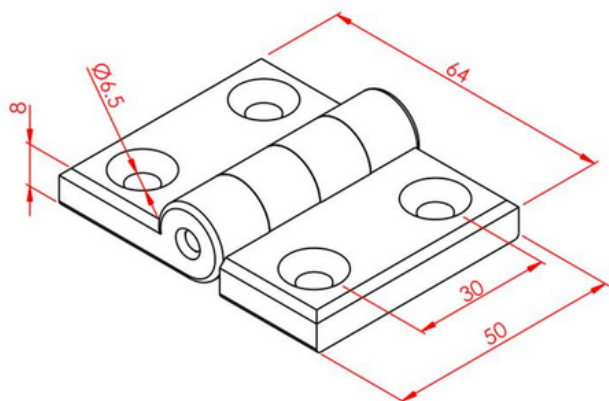


General Specifications

The hinges, which enable opening and closing cabin and cabinet doors, are manufactured in line with slot axis size of profiles to be mounted.

Stock Code	Stock Name	Material	Weight (gr)
2.2.003.3030.5	30x30 Hinge (Thin Series)	Pa 6 Black	10,5

35X35 HINGE

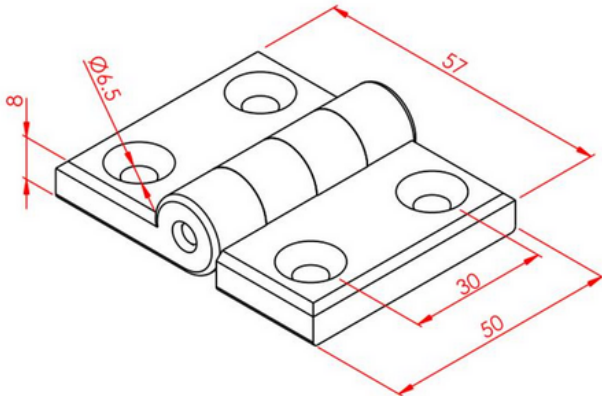


General Specifications

Hinges, which ensure opening and closing cabin and cabinet doors, are manufactured in line with slot axis size of profiles to be assembled.

Stock Code	Stock Name	Material	Weight (gr)
2.2.003.3535	35x35 Hinge	Pa 6 Black	34

45X30 HINGE

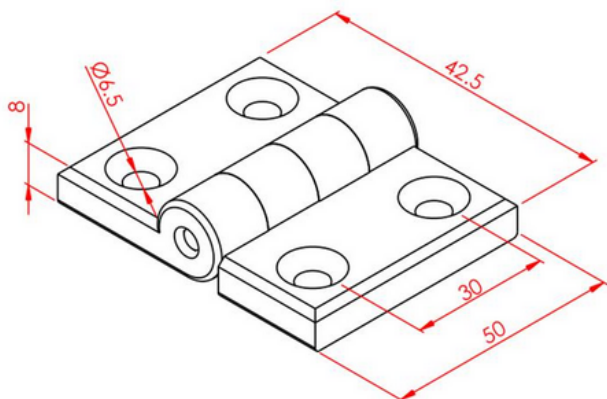


General Specifications

Hinges, which ensure opening and closing cabin and cabinet doors, are manufactured in line with slot axis size of profiles to be assembled.

Stock Code	Stock Name	Material	Weight (gr)
2.2.003.4530	45x30 Hinge	Pa 6 Black	31

45X35 HINGE

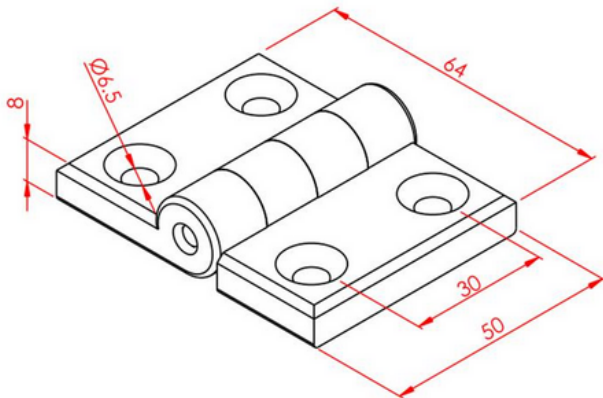


General Specifications

The hinges, which enable opening and closing cabin and cabinet doors, are manufactured in line with slot axis size of profiles to be mounted.

Stock Code	Stock Name	Material	Weight (gr)
2.2.003.4535	45x35 Hinge	Pa 6 Black	33

45X45 HINGE



General Specifications

Hinges, which ensure opening and closing cabin and cabinet doors, are manufactured in line with slot axis size of profiles to be assembled.

Stock Code	Stock Name	Material	Weight (gr)
2.2.003.4545	45x45 Hinge	Pa 6 Black	34