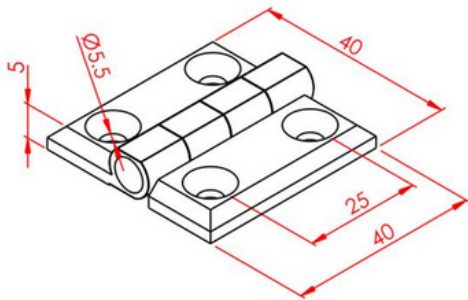


25X25 METAL HINGE

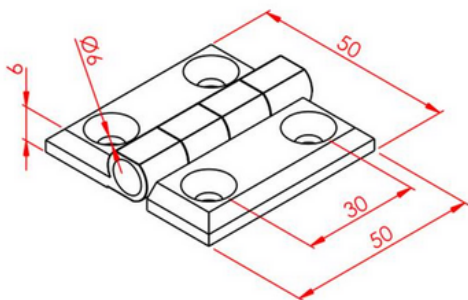


General Specifications

The hinges, which enable opening and closing cabin and cabinet doors, are manufactured in line with slot axis size of profiles to be mounted.

Stock Code	Stock Name	Material	Weight (gr)
2.2.003.2525.01	25x25 Metal Hinge	Zinc	44

30X30 METAL HINGE

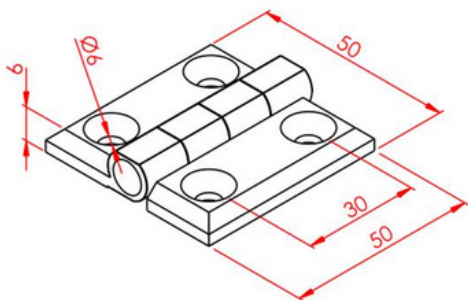


General Specifications

The hinges, which enable opening and closing cabin and cabinet doors, are manufactured in line with slot axis size of profiles to be mounted.

Stock Code	Stock Name	Material	Weight (gr)
2.2.003.3030.01	30x30 Metal Hinge	Zinc	83

30X30 METAL HINGE

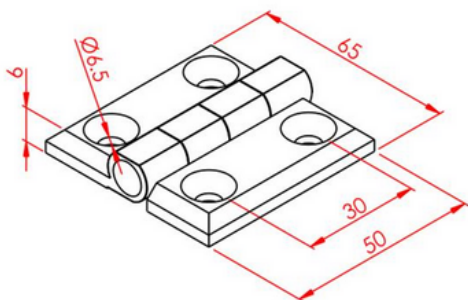


General Specifications

The hinges, which enable opening and closing cabin and cabinet doors, are manufactured in line with slot axis size of profiles to be mounted.

Stock Code	Stock Name	Material	Weight (gr)
2.2.003.3030.01	30x30 Metal Hinge	Zinc	83

40X40 METAL HINGE

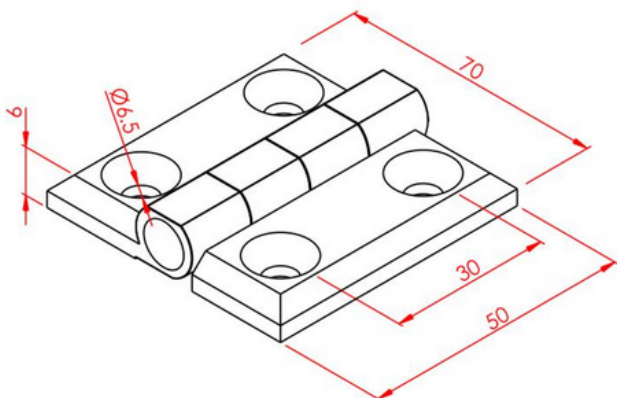


General Specifications

The hinges, which enable opening and closing cabin and cabinet doors, are manufactured in line with slot axis size of profiles to be mounted.

Stock Code	Stock Name	Material	Weight (gr)
2.2.003.4040.01	40X40 Metal Hinge	Zinc	42

45X45 METAL HINGE



General Specifications

The hinges, which enable opening and closing cabin and cabinet doors, are manufactured in line with slot axis size of profiles to be mounted.

Stock Code	Stock Name	Material	Weight (gr)
2.2.003.4545.01	45x45 Metal Hinge	Zinc	42