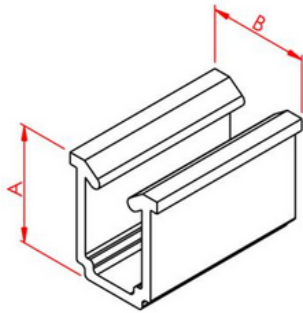


IN-SLOT U SEAL



General Specifications

Used for anchoring plexi and cage mesh in applications made of sigma profiles with slot size of 8 and 10 mm.
Areas of use include protection cabins, security systems and stand applications.

Stock Code	Stock Name	Color	Material	Weight (gr)	Length (mm)
2.3.006.08.01.01	Slot 8 In-Slot U Seal	Black	PVC	44,6	3000
2.3.006.10.01.01	In-Slot U Seal - Slot 10	Black	PVC	50,6	3000