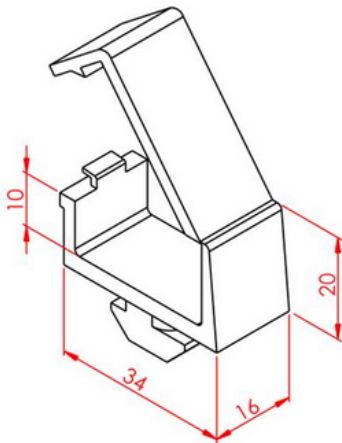


General Specifications

Ensures smooth connection of cables, used in automation applications, on the profiles.
Thanks to the cap, the cables are restrained within apparatus without need for additional clip.

Stock Code	Stock Name	Material	Weight (gr)
2.2.012.08.001	Capped Cable Holder S8	Polypropylene	4.86



General Specifications

Ensures smooth connection of cables, used in automation applications, on the profiles.
Thanks to the cap, the cables are restrained within apparatus without need for additional clip.

Stock Code	Stock Name	Material	Weight (gr)
2.2.012.10.001	Capped Cable Holder S10	Polypropylene	5.74