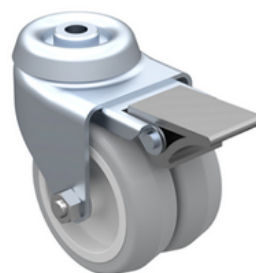
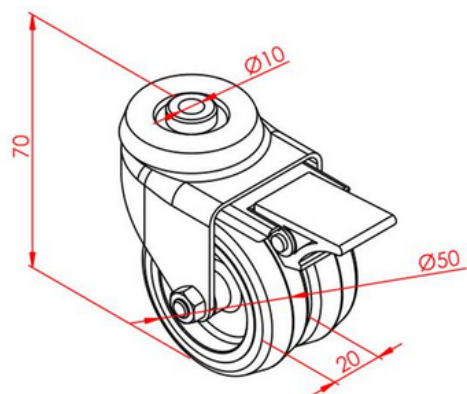


Ø 50 DOUBLE WHEEL



Stock Code	Stock Name	Loading Capacity	Material	Weight (gr)
2.3.004.050.02	Ø 50 Double Wheel	55 kg	Polyamid	277