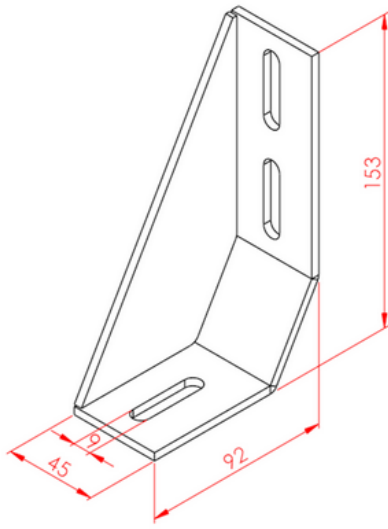


FEET FIXING PIECE



General Specifications

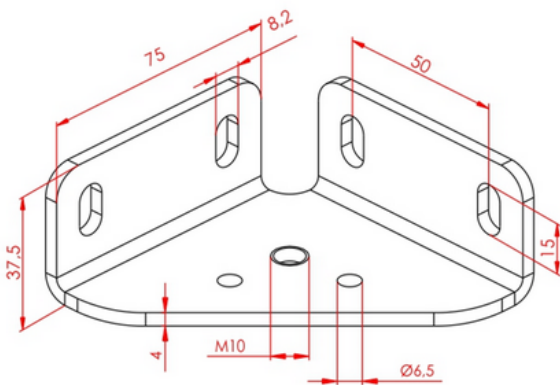
Used when the feet need to be fixed on the ground during assembly.

Right and left options are available.

Areas of use include conveyor frames, table legs, machine frames.

Stock Code	Stock Name	Material	Weight (gr)
2.2.002.00.00	Feet Fixing Piece	HRP	488,5
2.2.002.00.01	Feet Fixing Piece	HRP	488,5

CORNER FOOT CONNECTION PIECE



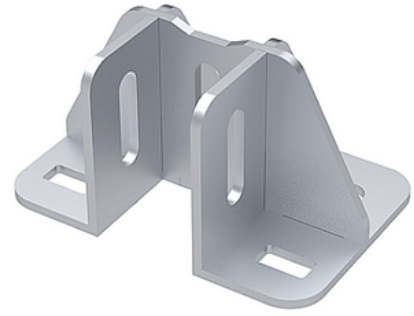
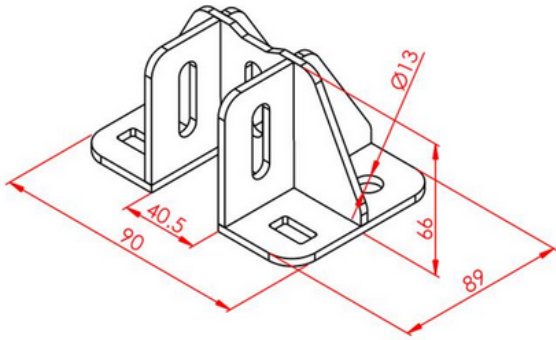
General Specifications

1-The connection sheet, which can be used as a strong corner connection, is also made of mdf, sheet metal, plexi etc. thanks to the connection holes on its outer surface. It enables the assembly of products.

2-In addition to the corner connection, it can be used as a foot connection plate. Thanks to the internal connection system, aesthetic appearance and durable connection are provided. It is possible to make different foot connections by pulling the M12 and M16 guides instead of the standard M10 guides.

Stock Code	Stock Name	Material	Weight (gr)
2.2.002.040045.00.10	Corner Foot Connection Piece	DKP	301

40X40 FEET GROUND FASTENER

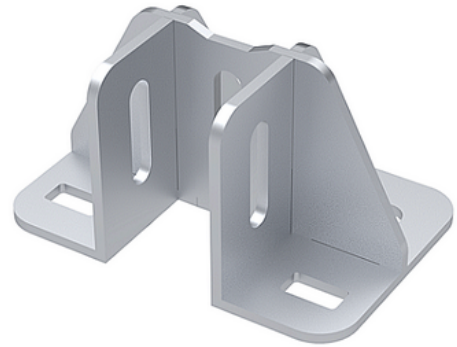
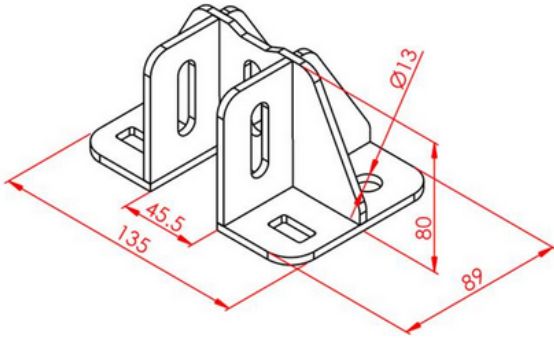


General Specifications

Used where it is necessary to fix frame and cabin feet to the ground.
Very strong metal fasteners with tie pieces on two axes.

Stock Code	Stock Name	Material	Weight (gr)
2.2.002.040040.00.10	40x40 Feet Ground Fastener	HRP	740

45X45 FEET GROUND FASTENER

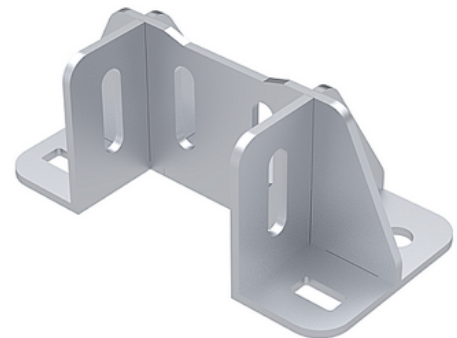
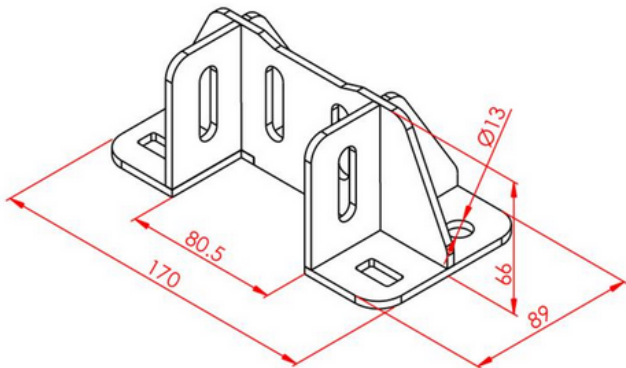


General Specifications

Used for ground connections of safety cabins and compartment boards.
Ensures safe connection by mounting on the profile and ground from three points.

Stock Code	Stock Name	Material	Weight (gr)
2.2.002.045045.00.10	45x45 Feet Ground Fastener	HRP	862

40X80 FEET GROUND FASTENER

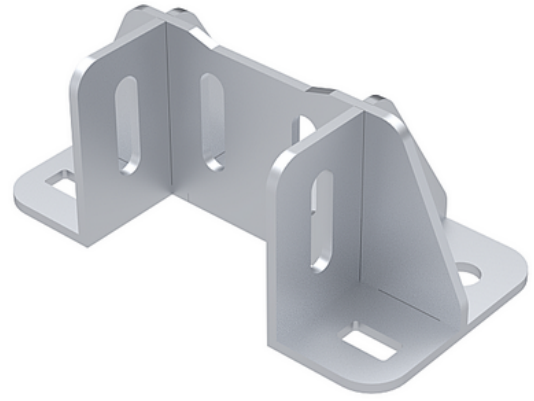
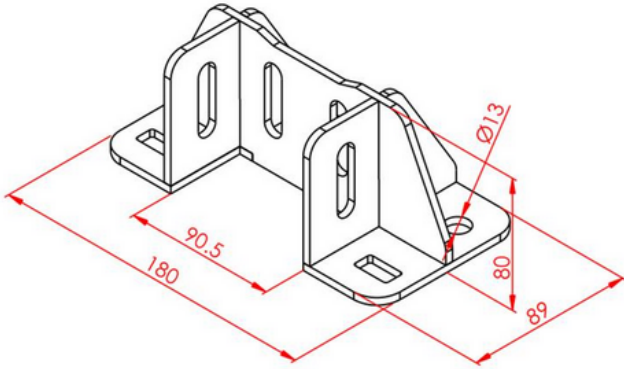


General Specifications

Used where it is necessary to fix frame and cabin feet to the ground.
Very strong metal fasteners with tie pieces on two axes.

Stock Code	Stock Name	Material	Weight (gr)
2.2.002.040080.00.10	40x80 Feet Ground Fastener	HRP	860

45X90 FEET GROUND FASTENER



General Specifications

Used for ground connections of safety cabins and compartment boards.
Ensures safe connection by mounting on the profile and ground from three points.

Stock Code	Stock Name	Material	Weight (gr)
2.2.002.045090.00.10	45x90 Feet Ground Fastener	HRP	972