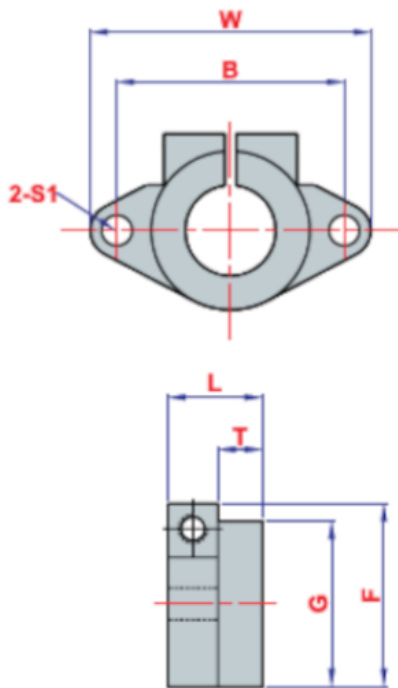


Stock Code	Stock Name	Type	Shaft Dimensions	h	E	W	L	F	G	P	B	S	Bolt of Lock Place	Connection Bolt	Weight (gr)
4.007.06.08.01	Shaft End Connecting Piece	SK 8	8	20	21	42	14	37,5	6	18	32	5,5	M4	M5	24
4.007.06.10.01	Shaft End Connecting Piece	SK 10	10	20	21	42	14	37,5	6	18	32	5,5	M4	M5	24
4.007.06.12.01	Shaft End Connecting Piece	SK 12	12	23	21	42	14	37,5	6,5	20	32	5,5	M4	M5	30
4.007.06.16.01	Shaft End Connecting Piece	SK 16	16	27	24	48	16	44	8	25	38	5,5	M4	M5	40
4.007.06.20.01	Shaft End Connecting Piece	SK 20	20	31	30	60	20	51	10	30	45	6,6	M5	M6	70
4.007.06.25.01	Shaft End Connecting Piece	SK 25	25	35	35	70	24	60	12	38	56	6,6	M6	M6	130
4.007.06.30.01	Shaft End Connecting Piece	SK 30	30	42	42	84	28	70	12	44	64	9	M6	M8	180
4.007.06.40.01	Shaft End Connecting Piece	SK 40	40	60	57	114	36	96	15	60	90	11	M8	M10	420



Stock Code	Stock Name	Type	Hole Diameter	W	L	T	F	G	B	S	Clamping Hole	Connection Holes	Weight (gr)
4.007.05.08.01	Shaft End Connecting Piece	SHF 8	8	43	10	5	24	20	32	5,5	M4	M5	13
4.007.05.10.01	Shaft End Connecting Piece	SHF 10	10	43	10	5	24	20	32	5,5	M4	M5	13
4.007.05.12.01	Shaft End Connecting Piece	SHF 12	12	47	13	7	28	25	36	5,5	M4	M5	20
4.007.05.16.01	Shaft End Connecting Piece	SHF 16	16	50	16	8	31	28	40	5,5	M4	M5	27
4.007.05.20.01	Shaft End Connecting Piece	SHF 20	20	60	20	8	37	34	48	7	M5	M6	40
4.007.05.25.01	Shaft End Connecting Piece	SHF 25	25	70	25	10	42	40	56	7	M5	M6	60
4.007.05.30.01	Shaft End Connecting Piece	SHF 30	30	80	30	12	50	46	64	9	M6	M8	110
4.007.05.40.01	Shaft End Connecting Piece	SHF 40	40	102	40	16	67	56	80	12	M10	M12	260