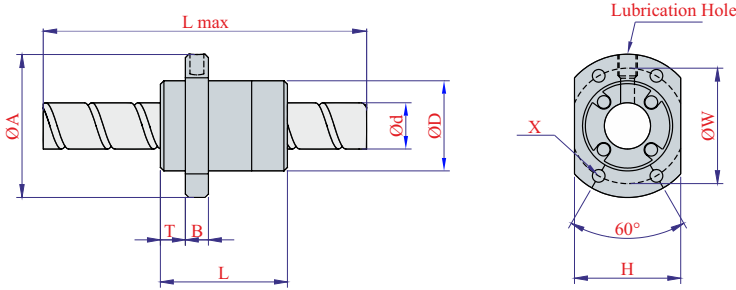




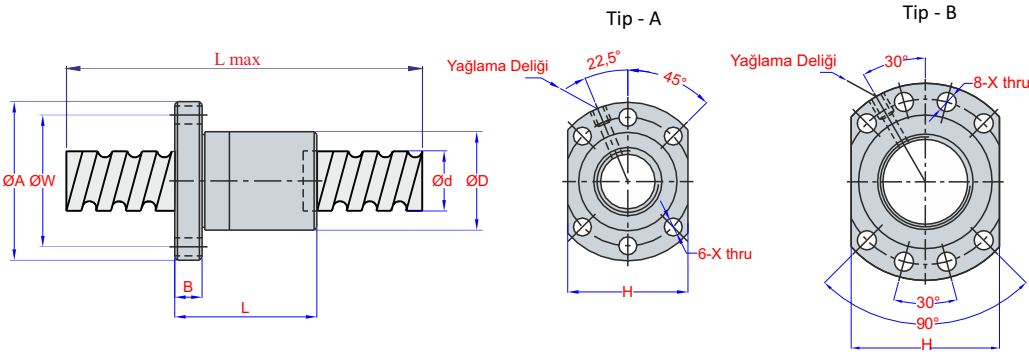
FSE-Type



Ballscrew Code	Flanged Nut Code	Product Name	Dimensions (mm)										Loading Capacity (kgf)	
			L max	Ød	ØD	ØA	B	T	L	W	H	Dinamik	Statik	
4.001.07.1616.02	4.001.07.1616.03	FSE 1616-2 LONG PITCH BALLSCREW NUT	3000	16	32	53	10	10,5	48	42	38	1512	1995	
4.001.07.2020.02	4.001.07.2020.03	FSE 2020-2 LONG PITCH BALLSCREW NUT	3000	20	39	62	10	10,8	55	50	46	1659	2464	
4.001.07.2525.02	4.001.07.2525.03	FSE 2525-2 LONG PITCH BALLSCREW NUT	6000	25	47	74	12	11,2	67	60	56	2481	3851	
4.001.07.3232.02	4.001.07.3232.03	FSE 3232-2 LONG PITCH BALLSCREW NUT	6000	32	58	92	15	14	82	74	68	3585	6071	
4.001.07.4040.02	4.001.07.4040.03	FSE 4040-2 LONG PITCH BALLSCREW NUT	6000	40	73	114	17	17	100	93	84	5778	11753	
4.001.07.5050.02	4.001.07.5050.03	FSE 5050-2 LONG PITCH BALLSCREW NUT	6000	50	90	135	20	21,5	125	112	92	8819	19241	



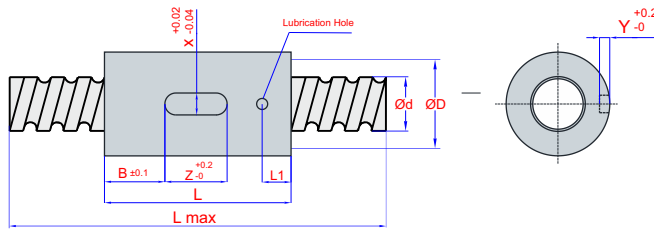
FSU-Tip



Ballscrew Code	Flanged Nut Code	Product Name	Dimensions (mm)											Loading Capacity (kgf)	
			L max	Ød	ØD	A	B	L	W	X	H	Tip	Dynamic	Static	
4.001.07.1605.05	4.001.07.1605.01	FSU 1605-4 FLANGED BALLSCREW NUT	3000	16	28	48	10	50	38	5,5	40	A	1344	1525	
4.001.07.1610.05	4.001.07.1610.01	FSU 1610-3 FLANGED BALLSCREW NUT	3000	16	28	48	12	65	38	5,5	40	A	1084	1232	
4.001.07.2005.05	4.001.07.2005.01	FSU 2005-4 FLANGED BALLSCREW NUT	3000	20	36	58	10	53	47	6,6	44	A	1512	1995	
4.001.07.2010.05	4.001.07.2010.01	FSU 2010-4 FLANGED BALLSCREW NUT	3000	20	36	58	10	68	47	6,6	44	A	1621	1925	
4.001.07.2505.05	4.001.07.2505.01	FSU 2505-4 FLANGED BALLSCREW NUT	6000	25	40	62	10	53	51	6,6	48	A	1704	2581	
4.001.07.2510.05	4.001.07.2510.01	FSU 2510-4 FLANGED BALLSCREW NUT	6000	25	40	62	12	85	51	6,6	48	A	2881	3695	
4.001.07.3205.05	4.001.07.3205.01	FSU 3205-4 FLANGED BALLSCREW NUT	6000	32	50	80	12	53	65	9,0	62	A	1924	3403	
4.001.07.3210.05	4.001.07.3210.01	FSU 3210-4 FLANGED BALLSCREW NUT	6000	32	50	80	16	90	65	9,0	62	A	4834	7835	
4.001.07.3220.05	4.001.07.3220.01	FSC 3220-4 FLANGED BALLSCREW NUT	6000	32	50	80	13	78	65	9,0	62	A	2141	3576	
4.001.07.4005.05	4.001.07.4005.01	FSU 4005-4 FLANGED BALLSCREW NUT	6000	40	63	93	16	56	78	9,0	70	B	2142	4342	
4.001.07.4010.05	4.001.07.4010.01	FSU 4010-4 FLANGED BALLSCREW NUT	6000	40	63	93	18	93	78	9,0	70	B	5399	10074	
4.001.07.5010.05	4.001.07.5010.01	FSU 5010-4 FLANGED BALLSCREW NUT	6000	50	75	110	18	93	93	11,0	85	B	5933	12313	
4.001.07.6310.05	4.001.07.6310.01	FSU 6310-4 FLANGED BALLSCREW NUT	6000	63	90	125	18	98	108	11,0	95	B	6700	16230	
4.001.07.6320.05	4.001.07.6320.01	FSU 6320-3 FLANGED BALLSCREW NUT	6000	63	95	135	20	138	115	13,5	100	B	8957	17945	

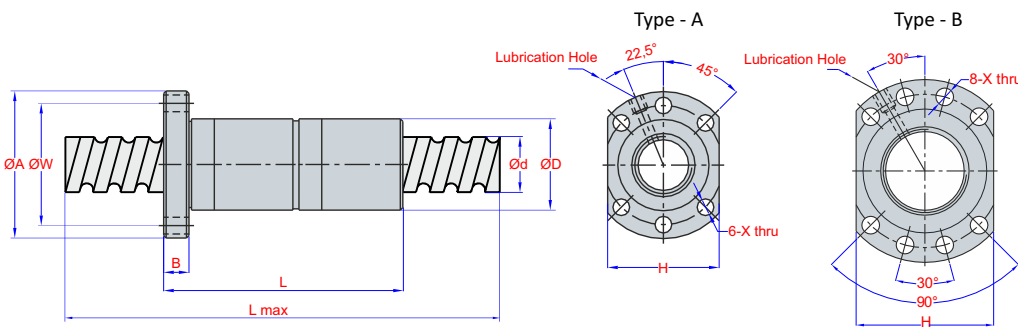


RSY-Type



Ballscrew Code	Cylindrical Ballscrew Nut Code	Product Name	Dimensions (mm)								Loading Capacity (kgf)	
			L max	Ød	ØD	L	B	X	Z	L1	Dynamic	Static
4.001.07.1205.05	4.001.07.1205.04	RSY 1205-3 CYLINDRICAL BALLSCREW NUT	3000	12	24	40	14	3	12	5	514	594
4.001.07.1210.05	4.001.07.1210.04	RSY 1210-2 CYLINDRICAL BALLSCREW NUT	3000	12	24	40	14	3	12	5	390	466
4.001.07.1605.05	4.001.07.1605.04	RSY 1605-4 CYLINDRICAL BALLSCREW NUT	3000	16	28	50	15	5	20	7	1344	1525
4.001.07.1610.05	4.001.07.1610.04	RSY 1610-3 CYLINDRICAL BALLSCREW NUT	3000	16	28	45	12,5	5	20	7	1181	1496
4.001.07.1616.02	4.001.07.1616.04	RSY 1616-2 CYLINDRICAL BALLSCREW NUT	3000	16	28	45	12,5	5	20	7	833	997
4.001.07.2005.05	4.001.07.2005.04	RSY 2005-4 CYLINDRICAL BALLSCREW NUT	3000	20	36	53	16,5	5	20	7	1512	1995
4.001.07.2010.05	4.001.07.2010.04	RSY 2010-3 CYLINDRICAL BALLSCREW NUT	3000	20	36	68	24	5	20	7	1621	1925
4.001.07.2020.02	4.001.07.2020.04	RSY 2020-4 CYLINDRICAL BALLSCREW NUT	3000	20	36	55	17,5	5	20	7	1659	2464
4.001.07.2505.05	4.001.07.2505.04	RSY 2505-4 CYLINDRICAL BALLSCREW NUT	6000	25	40	53	16,5	5	20	7	1704	2581
4.001.07.2510.05	4.001.07.2510.04	RSY 2510-3 CYLINDRICAL BALLSCREW NUT	6000	25	40	54	17	5	20	7	1614	2460
4.001.07.3205.05	4.001.07.3205.04	RSY 3205-4 CYLINDRICAL BALLSCREW NUT	6000	32	50	53	11,5	6	30	7	1924	3403
4.001.07.3210.05	4.001.07.3210.04	RSY 3210-3 CYLINDRICAL BALLSCREW NUT	6000	32	50	70	20,0	6	30	7	3775	5877
4.001.07.3220.05	4.001.07.3220.04	RSY 3220-3 CYLINDRICAL BALLSCREW NUT	6000	32	50	78	24,0	6	30	7	2141	3576
4.001.07.4005.05	4.001.07.4005.04	RSY 4005-4 CYLINDRICAL BALLSCREW NUT	6000	40	63	56	13,0	6	30	7	2142	4342

FDU-Type



Ballscrew Code	Double Ballscrew Nut Code	Product Name	Dimensions (mm)										Loading Capacity (kgf)	
			L max	Ød	ØD	A	B	L	W	X	H	Type	Dynamic	Static
4.001.07.1605.05	4.001.07.1605.06	FDU 1605-3 DOUBLE FLANGED BALLSCREW NUT	3000	16	28	48	10	80	38	5,5	40	A	1049	1144
4.001.07.2005.05	4.001.07.2005.06	FDU 2005-4 DOUBLE FLANGED BALLSCREW NUT	3000	20	36	58	12	92	47	6,6	44	A	1512	1995
4.001.07.2505.05	4.001.07.2505.06	FDU 2505-4 DOUBLE FLANGED BALLSCREW NUT	6000	25	40	62	12	92	51	6,6	48	A	1704	2581
4.001.07.2510.05	4.001.07.2510.06	FDU 2510-4 DOUBLE FLANGED BALLSCREW NUT	6000	25	40	62	12	153	51	6,6	48	A	2881	3695
4.001.07.3205.05	4.001.07.3205.06	FDU 3205-4 DOUBLE FLANGED BALLSCREW NUT	6000	32	50	80	12	92	65	9,0	62	A	1924	3403
4.001.07.3210.05	4.001.07.3210.06	FDU 3210-4 DOUBLE FLANGED BALLSCREW NUT	6000	32	50	80	16	160	65	9,0	62	A	4834	7835
4.001.07.4005.05	4.001.07.4005.06	FDU 4005-4 DOUBLE FLANGED BALLSCREW NUT	6000	40	63	93	16	96	78	9,0	70	B	2142	4342
4.001.07.4010.05	4.001.07.4010.06	FDU 4010-4 DOUBLE FLANGED BALLSCREW NUT	6000	40	63	93	18	162	78	9,0	70	B	5399	10074
4.001.07.5010.05	4.001.07.5010.06	FDU 5010-4 DOUBLE FLANGED BALLSCREW NUT	6000	50	75	110	16	162	93	11,0	85	B	5933	12313
4.001.07.6310.05	4.001.07.6310.06	FDU 6310-4 DOUBLE FLANGED BALLSCREW NUT	6000	63	90	125	18	182	108	11,0	95	B	6700	16230
4.001.07.6320.05	4.001.07.6320.06	FDU 6320-3 DOUBLE FLANGED BALLSCREW NUT	6000	63	95	135	20	253	115	13,5	100	B	8957	17945