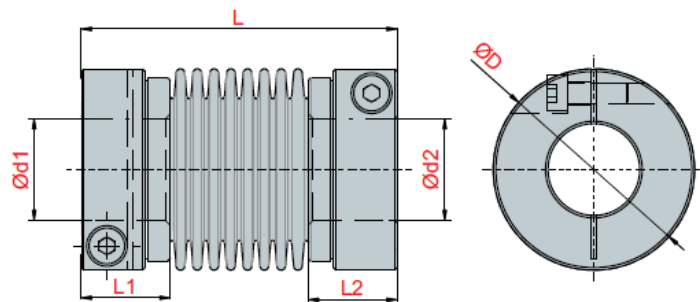


## General Specifications

This coupling type ensures absorbing transmission of balanced motion on drives with angular difference.  
 Meets incoming axial and radial (angular) loads thanks to spring mechanism in its body.  
 This is the coupling which offers highest positioning sensitivity among all others.



Stock Code	Stock Name	Type	Ød min	Ød max	D	L	L1 L2	M	Max Angular Misalignment (°)	Max Deviation of Axis (mm)	Max Torque (Nm)	Max Cycle (rpm)
4.005.02.016.01	Spring Coupling	BW-16C	4	8	16	30	10,5	3	1,5	0,3	1,6	18.000
4.005.02.020.01	Spring Coupling	BW-20C	5	8	20	33	12,5	3	2,0	0,35	3	13.000
4.005.02.025.01	Spring Coupling	BW-25C	5	12	25	38	14	3	2,0	0,4	4	14.000
4.005.02.032.01	Spring Coupling	BW-32C	6	16	32	43	13,5	4	2,0	0,5	5	10.000
4.005.02.040.01	Spring Coupling	BW-40C	8	20	40	62	21	5	2,0	0,6	20	8.000
4.005.02.055.01	Spring Coupling	BW-55C	10	30	55	74	23	6	2,0	0,8	50	6.000
4.005.02.065.01	Spring Coupling	BW-65C	12	38	65	81	25,5	8	2,0	0,8	120	4.500
4.005.02.082.01	Spring Coupling	BW-82C	14	42	82	103	34,5	10	2,0	1,0	160	4.000

