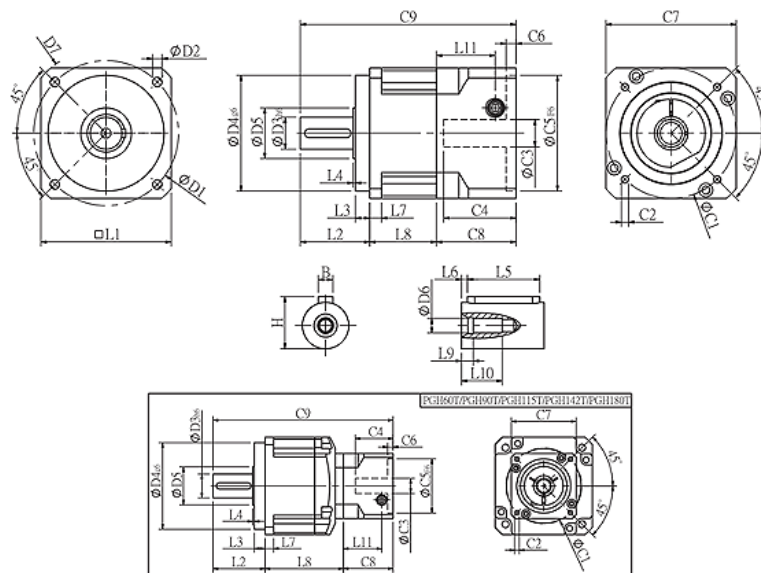


Output torque value, obtained from motor, can be enhanced by choosing the appropriate ratio.  
 Similar to PGL series in terms of design and technical values, albeit offering higher torque.



Stock Code	Stock Name	Series	Backlash Arcmin	Ratio	D1	D3 h6	C1	C3	C5
4.008.23.02.060.005.14.0	Single-Stage Planet Reducer	PGH060-P0	≤2	05	70	16	70	≤14	50
4.008.23.02.060.010.14.0	Single-Stage Planet Reducer	PGH060-P0	≤2	10	70	16	70	≤14	50
4.008.23.02.060.015.14.0	Double-Stage Planet Reducer	PGH060-P0	≤4	15	70	16	70	≤14	50
4.008.23.02.090.005.24.0	Single-Stage Planet Reducer	PGH090-P0	≤2	05	100	22	90	≤24	70
4.008.23.02.090.010.24.0	Single-Stage Planet Reducer	PGH090-P0	≤2	10	100	22	90	≤24	70
4.008.23.02.090.015.24.0	Double-Stage Planet Reducer	PGH090-P0	≤4	15	100	22	90	≤24	70
4.008.23.02.115.005.32.0	Single-Stage Planet Reducer	PGH115-P0	≤1	05	130	32	115	≤32	95
4.008.23.02.115.010.32.0	Single-Stage Planet Reducer	PGH115-P0	≤1	10	130	32	115	≤32	95
4.008.23.02.115.015.24.0	Double-Stage Planet Reducer	PGH115T-P0	≤3	15	130	32	90	≤24	70