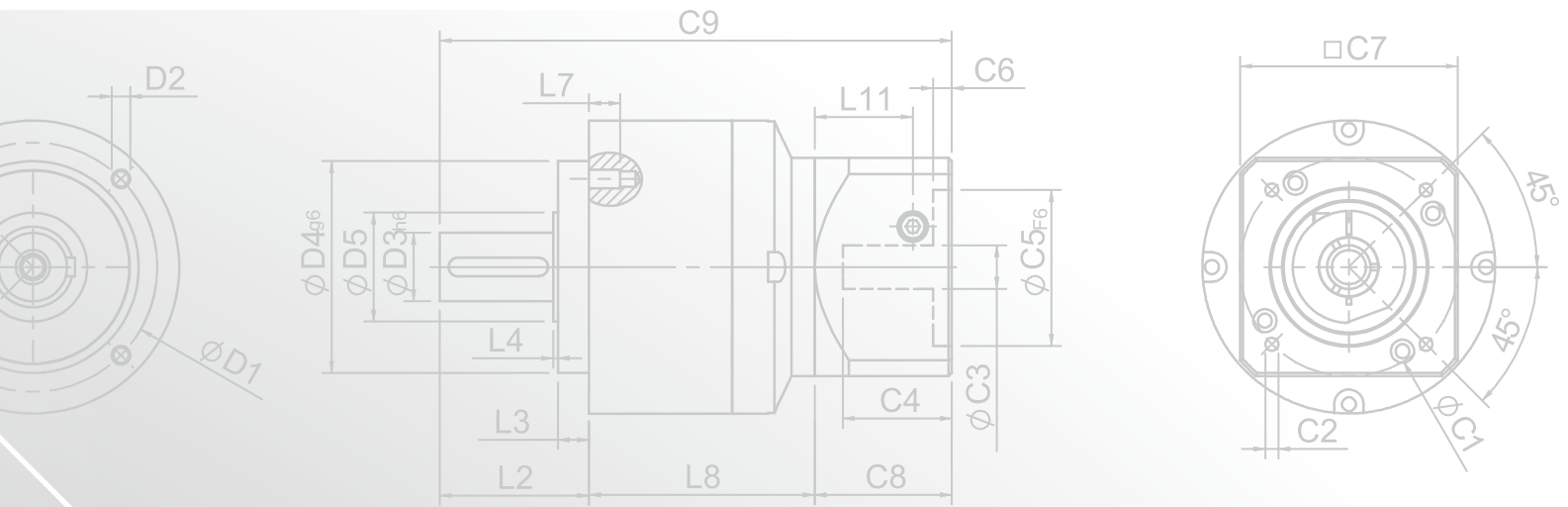
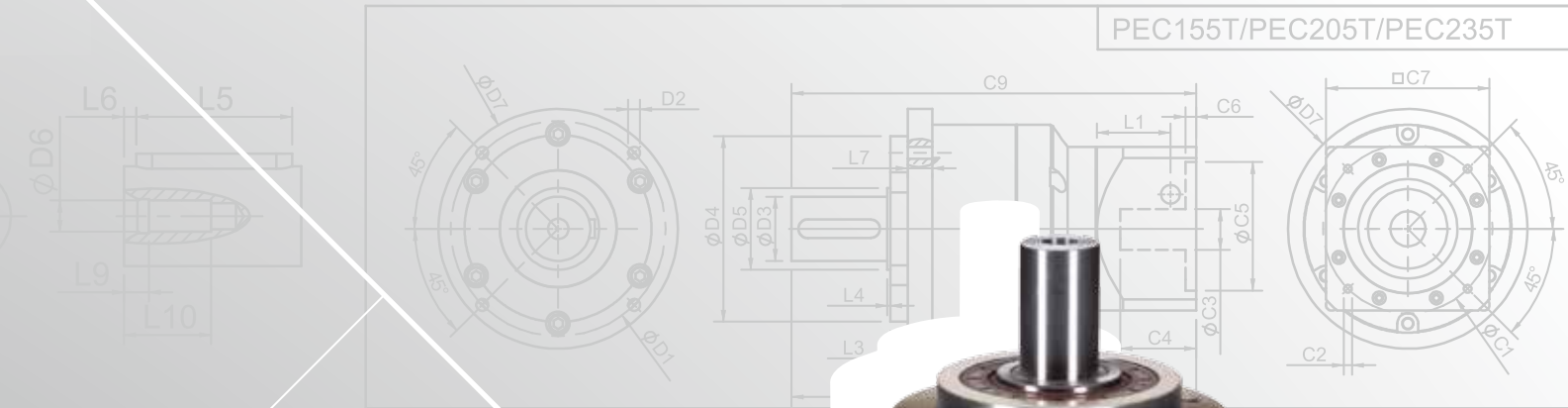


# PEC SERIES

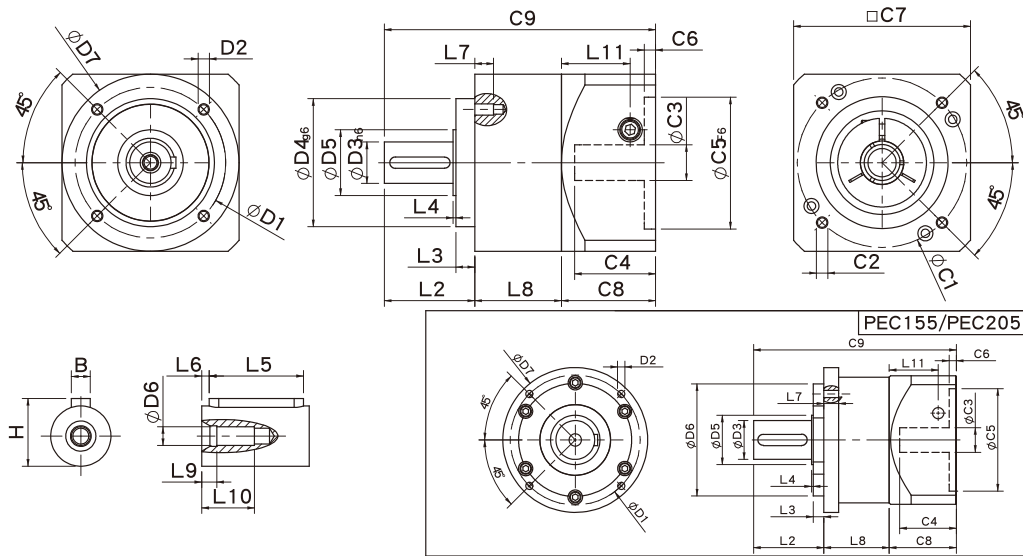




PEC155T/PEC205T/PEC235T



## PEC Single Stage Dimensions



## Specifications

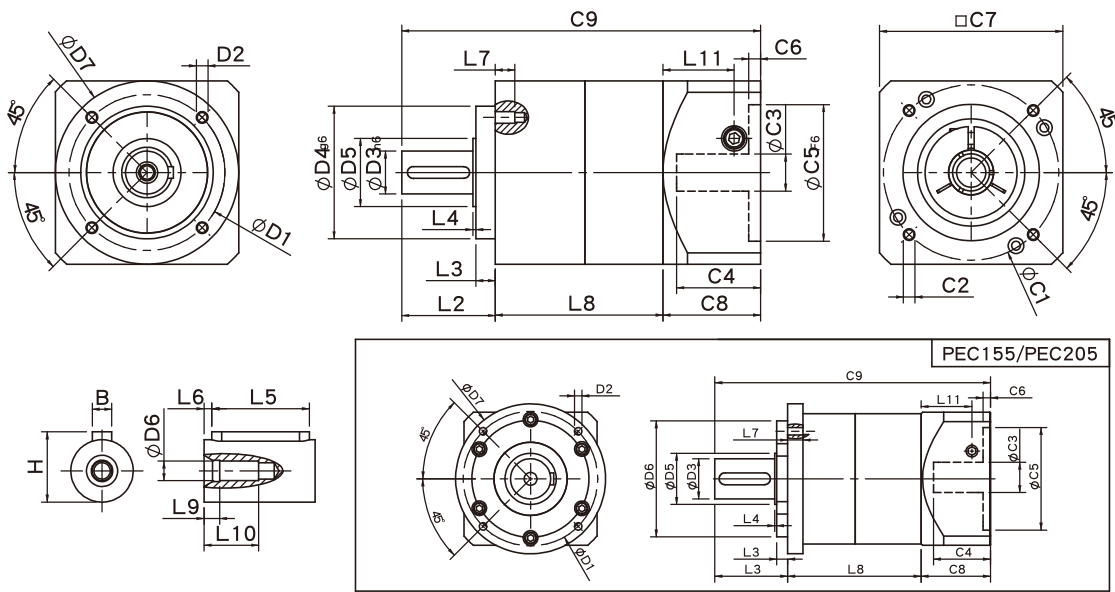
Unit:mm

| Dimensions                    | PEC50   | PEC70   | PEC90    | PEC120    | PEC155   | PEC205    |
|-------------------------------|---------|---------|----------|-----------|----------|-----------|
| D1                            | 44      | 62      | 80       | 108       | 140      | 184       |
| D2                            | M4x0.7P | M5x0.8P | M6x1.0P  | M8x1.25P  | M10x1.5P | M12x1.75P |
| D3 <sub>h6</sub>              | 13      | 16      | 22       | 32        | 40       | 55        |
| D4 <sub>g6</sub>              | 35      | 52      | 68       | 90        | 120      | 160       |
| D5                            | 15      | 25      | 35       | 45        | 50       | 70        |
| D6                            | M4x0.7P | M5x0.8P | M8x1.25P | M12x1.75P | M16x2.0P | M20x2.5P  |
| D7                            | 50      | 70      | 94       | 120       | 155      | 205       |
| L2                            | 24.5    | 35      | 48       | 60        | 93       | 99.5      |
| L3                            | 4       | 5       | 10       | 6         | 8        | 15        |
| L4                            | 1.5     | 1.5     | 1.5      | 3         | 6        | 2.5       |
| L5                            | 15      | 25      | 32       | 40        | 60       | 70        |
| L6                            | 2       | 2       | 3        | 5         | 5        | 6         |
| L7                            | 8       | 10      | 10       | 15        | 18       | 21        |
| L8                            | 30      | 38      | 46       | 61        | 79       | 92.5      |
| L9                            | 4       | 4       | 4.5      | 6         | 6        | 8         |
| L10                           | 14      | 16.5    | 20.5     | 30        | 38       | 48        |
| L11                           | 24.4    | 31.5    | 36.5     | 42        | 63       | 69.5      |
| C1 <sup>2</sup>               | 46      | 70      | 90       | 115       | 145      | 200       |
| C2 <sup>2</sup>               | M4x0.7P | M5x0.8P | M6x1.0P  | M8x1.25P  | M8x1.25P | M12x1.75P |
| C3 <sup>2</sup>               | ≤8      | ≤14     | ≤19/≤24  | ≤24/≤28   | ≤35      | ≤50       |
| C4 <sup>2</sup>               | 27      | 35      | 43       | 58        | 66       | 82        |
| C5 <sup>2</sup> <sub>F6</sub> | 30      | 50      | 70       | 95        | 110      | 114.3     |
| C6 <sup>2</sup>               | 4       | 5       | 5        | 8         | 6        | 13        |
| C7 <sup>2</sup>               | 50      | 70      | 94       | 120       | 140      | 182       |
| C8 <sup>2</sup>               | 34      | 44      | 50       | 63        | 80       | 95        |
| C9 <sup>2</sup>               | 88.5    | 117     | 144      | 184       | 252      | 287       |
| B                             | 5       | 5       | 6        | 10        | 12       | 16        |
| H                             | 15      | 18      | 24.5     | 35        | 43       | 59        |

★ C1~C9 are motor specific dimensions(metric std shown ).Size may vary according to the motor flange chosen.

★ Specification subject to change without notice.

## PEC Double Stage Dimensions-1



## Specifications

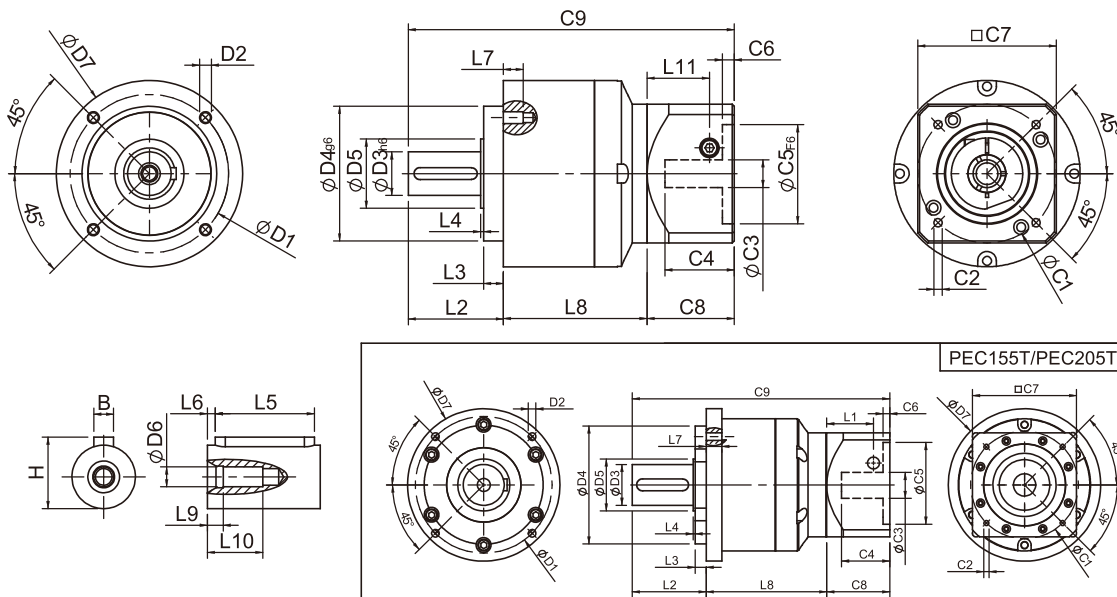
Unit:mm

| Dimensions                    | PEC50   | PEC70   | PEC90    | PEC120    | PEC155   | PEC205    |
|-------------------------------|---------|---------|----------|-----------|----------|-----------|
| D1                            | 44      | 62      | 80       | 108       | 140      | 184       |
| D2                            | M4x0.7P | M5x0.8P | M6x1.0P  | M8x1.25P  | M10x1.5P | M12x1.75P |
| D3 <sub>h6</sub>              | 13      | 16      | 22       | 32        | 40       | 55        |
| D4 <sub>g6</sub>              | 35      | 52      | 68       | 90        | 120      | 160       |
| D5                            | 15      | 25      | 35       | 45        | 50       | 70        |
| D6                            | M4x0.7P | M5x0.8P | M8x1.25P | M12x1.75P | M16x2.0P | M20x2.5P  |
| D7                            | 50      | 70      | 94       | 120       | 155      | 205       |
| L2                            | 24.5    | 35      | 48       | 60        | 93       | 99.5      |
| L3                            | 4       | 5       | 10       | 6         | 8        | 15        |
| L4                            | 1.5     | 1.5     | 1.5      | 3         | 6        | 2.5       |
| L5                            | 15      | 25      | 32       | 40        | 60       | 70        |
| L6                            | 2       | 2       | 3        | 5         | 5        | 6         |
| L7                            | 8       | 10      | 10       | 15        | 18       | 21        |
| L8                            | 56      | 66      | 86       | 109       | 140      | 182.5     |
| L9                            | 4       | 4       | 4.5      | 6         | 6        | 8         |
| L10                           | 14      | 16.5    | 20.5     | 30        | 38       | 48        |
| L11                           | 24.4    | 31.5    | 36.5     | 42        | 63       | 69.5      |
| C1 <sup>2</sup>               | 46      | 70      | 90       | 115       | 145      | 200       |
| C2 <sup>2</sup>               | M4x0.7P | M5x0.8P | M6x1.0P  | M8x1.25P  | M8x1.25P | M12x1.75P |
| C3 <sup>2</sup>               | ≤8      | ≤14     | ≤19/≤24  | ≤24/≤28   | ≤35      | ≤50       |
| C4 <sup>2</sup>               | 27      | 35      | 43       | 58        | 66       | 82        |
| C5 <sup>2</sup> <sub>F6</sub> | 30      | 50      | 70       | 95        | 110      | 114.3     |
| C6 <sup>2</sup>               | 4       | 5       | 5        | 8         | 6        | 13        |
| C7 <sup>2</sup>               | 50      | 70      | 94       | 120       | 140      | 182       |
| C8 <sup>2</sup>               | 34      | 44      | 50       | 63        | 80       | 95        |
| C9 <sup>2</sup>               | 114.5   | 145     | 184      | 232       | 313      | 377       |
| B                             | 5       | 5       | 6        | 10        | 12       | 16        |
| H                             | 15      | 18      | 24.5     | 35        | 43       | 59        |

★ C1~C9 are motor specific dimensions(metric std shown ).Size may vary according to the motor flange chosen.

★ Specification subject to change without notice.

## PEC Double Stage Dimensions-2



## Specifications

Unit:mm

| Dimensions                    | PEC70T  | PEC90T   | PEC120T   | PEC155T  | PEC205T   |
|-------------------------------|---------|----------|-----------|----------|-----------|
| D1                            | 62      | 80       | 108       | 140      | 184       |
| D2                            | M5x0.8P | M6x1.0P  | M8x1.25P  | M10x1.5P | M12x1.75P |
| D3 <sub>h6</sub>              | 16      | 22       | 32        | 40       | 55        |
| D4 <sub>g6</sub>              | 52      | 68       | 90        | 120      | 160       |
| D5                            | 25      | 35       | 45        | 50       | 70        |
| D6                            | M5x0.8P | M8x1.25P | M12x1.75P | M16x2.0P | M20x2.5P  |
| D7                            | 70      | 94       | 120       | 155      | 205       |
| L2                            | 35      | 48       | 60        | 93       | 99.5      |
| L3                            | 5       | 10       | 6         | 8        | 15        |
| L4                            | 1.5     | 1.5      | 3         | 6        | 2.5       |
| L5                            | 25      | 32       | 40        | 60       | 70        |
| L6                            | 2       | 3        | 5         | 5        | 6         |
| L7                            | 10      | 10       | 15        | 18       | 21        |
| L8                            | 60.8    | 70.5     | 99.4      | 127      | 162       |
| L9                            | 4       | 4.5      | 6         | 6        | 8         |
| L10                           | 16.5    | 20.5     | 30        | 38       | 48        |
| L11                           | 29      | 35.5     | 40.5      | 42       | 63        |
| C1 <sup>2</sup>               | 46      | 70       | 90        | 115      | 145       |
| C2 <sup>2</sup>               | M4x0.7P | M5x0.8P  | M6x1.0P   | M8x1.25P | M8x1.25P  |
| C3 <sup>2</sup>               | ≤8      | ≤14      | ≤19/≤24   | ≤24/≤28  | ≤35       |
| C4 <sup>2</sup>               | 28.5    | 41       | 47.75     | 58       | 66        |
| C5 <sup>2</sup> <sub>F6</sub> | 30      | 50       | 70        | 95       | 110       |
| C6 <sup>2</sup>               | 5.5     | 8        | 6         | 8        | 6         |
| C7 <sup>2</sup>               | 50      | 70       | 94        | 120      | 140       |
| C8 <sup>2</sup>               | 40      | 50       | 55        | 63       | 80        |
| C9 <sup>2</sup>               | 135.8   | 170.5    | 214.4     | 283      | 341.5     |
| B                             | 5       | 6        | 10        | 12       | 16        |
| H                             | 18      | 24.5     | 35        | 43       | 59        |

★ C1~C9 are motor specific dimensions(metric std shown ).Size may vary according to the motor flange chosen.

★ Specification subject to change without notice.

## PEC Specifications Table

| Specifications           | Stage         | Ratio                | PEC-50   | PEC-70                                | PEC-90     | PEC-120    | PEC-155    | PEC-205    |            |
|--------------------------|---------------|----------------------|--|---------------------------------------|------------|------------|------------|------------|------------|
| Nominal Output Torque    | 1             | 3                    | 13.8   | 44.2                                  | 95.2       | 283        | 482        | 1151       |            |
|                          |               | 4                    | 11.9   | 35.9                                  | 74.6       | 249        | 490        | 1055       |            |
|                          |               | 5                    | 13.8   | 43.0                                  | 95.2       | 283        | 473        | 1151       |            |
|                          |               | 7                    | 11.9   | 36.0                                  | 85.6       | 219        | 400        | 1055       |            |
|                          |               | 10                   | 10.1   | 25.0                                  | 75.0       | 210        | 320        | 763        |            |
|                          | 2             | Stage                | Ratio  | PEC-50                                | PEC-70(T)  | PEC-90(T)  | PEC-120(T) | PEC-155(T) | PEC-205(T) |
|                          |               | 15                   | 13.8   | 44.2                                  | 95.2       | 283        | 482        | 1151       |            |
|                          |               | 20                   | 11.9   | 35.9                                  | 74.6       | 249        | 490        | 1055       |            |
|                          |               | 25                   | 13.8   | 43.0                                  | 95.2       | 283        | 473        | 1151       |            |
|                          |               | 30                   | 13.8   | 43.0                                  | 95.2       | 283        | 473        | 1151       |            |
|                          |               | 35                   | 13.8   | 43.0                                  | 95.2       | 283        | 473        | 1151       |            |
|                          |               | 40                   | 13.8   | 43.0                                  | 95.2       | 283        | 473        | 1151       |            |
|                          |               | 50                   | 13.8   | 43.0                                  | 95.2       | 283        | 473        | 1151       |            |
|                          |               | 70                   | 11.9   | 36.0                                  | 85.6       | 219        | 400        | 1055       |            |
| 100                      | 10.1          | 25.0                 | 75.0   | 210                                   | 320        | 763        |            |            |            |
| Emergency Stop Torque    | N • m         |                      | 3.0 times of Nominal Output Torque<br>(* Max. Output Torque T2B =60% of Emergency Stop Torque) |                                       |            |            |            |            |            |
| Nominal Input Speed      | rpm           | 1,2                  | 3-100  | 3000                                  | 3000       | 3000       | 2500       | 2000       | 2000       |
| Max. Input Speed         | rpm           | 1,2                  | 3-100  | 6000                                  | 6000       | 6000       | 5000       | 4000       | 4000       |
| Backlash                 | arcmin        | 1                    | 3-10   | ≤ 12                                  | ≤ 9        | ≤ 9        | ≤ 7        | ≤ 7        | ≤ 7        |
|                          |               | 2                    | 12-100   | ≤ 15                                  | ≤ 12       | ≤ 12       | ≤ 9        | ≤ 9        | ≤ 9        |
| Torsional Rigidity       | N • m /arcmin | 1,2                  | 3-100  | 1.0                                   | 2.8        | 7.5        | 15.5       | 30         | 57         |
| Max. Radial Load         | N             | 1,2                  | 3-100  | 350                                   | 960        | 1630       | 3380       | 6150       | 7260       |
| Max. Axial Load          | N             | 1,2                  | 3-100  | 320                                   | 900        | 1420       | 2930       | 5510       | 5550       |
| Operating Temp.          | °C            |                      | 3-100  | -10 °C ~ +90 °C                       |            |            |            |            |            |
| Service Life             | hr            |                      | 3-100  | 20,000 (10,000/ Continuous operation) |            |            |            |            |            |
| Efficiency               | %             | 1                    | 3-10   | ≥ 95%                                 |            |            |            |            |            |
|                          |               | 2                    | 12-100   | ≥ 90%                                 |            |            |            |            |            |
| Weight                   | kg            | 1                    | 3-10   | 0.7                                   | 1.4        | 3.0        | 7.3        | 15.6       | 26         |
|                          |               | 2                    | 12-100   | 0.9                                   | 2.2/1.7    | 5.0/3.4    | 11.5/8.5   | 20.7/17.2  | 36/31      |
| Mounting Position        | -             | 1,2                  | 3-100  | Any direction                         |            |            |            |            |            |
| Noise Level <sup>2</sup> | dBA/1m        | 1,2                  | 3-100  | ≤ 65                                  | ≤ 67       | ≤ 70       | ≤ 70       | ≤ 75       | ≤ 75       |
| Protection Class         | -             | 1,2                  | 3-100  | IP65                                  |            |            |            |            |            |
| Lubrication              | -             | 1,2                  | 3-100  | Synthetic Lubricant                   |            |            |            |            |            |
| Inertia(J1)              |               |                      |  |                                       |            |            |            |            |            |
| Stage                    | Ratio         | unit                 | PEC-50   | PEC-70                                | PEC-90     | PEC-120    | PEC-155    | PEC-205    |            |
| 1                        | 3             | Kg • cm <sup>2</sup> | 0.03   | 0.20                                  | 0.81       | 2.20       | 7.89       | 25.2       |            |
|                          | 4             |                      | 0.03   | 0.16                                  | 0.65       | 1.80       | 5.83       | 19.8       |            |
|                          | 5             |                      | 0.03   | 0.15                                  | 0.62       | 1.61       | 5.38       | 18.3       |            |
|                          | 7             |                      | 0.03   | 0.14                                  | 0.60       | 1.55       | 5.22       | 17.8       |            |
|                          | 10            |                      | 0.03   | 0.14                                  | 0.60       | 1.53       | 5.20       | 17.6       |            |
| Stage                    | Ratio         |                      | PEC-50   | PEC-70(T)                             | PEC-90(T)  | PEC-120(T) | PEC-155(T) | PEC-205(T) |            |
| 2                        | 15/20/25      |                      | 0.02   | 0.15(0.02)                            | 0.62(0.15) | 1.61(0.62) | 5.38(1.61) | 18.3(5.38) |            |
|                          | 30/35/40      |                      | 0.02   | 0.14(0.02)                            | 0.60(0.14) | 1.55(0.60) | 5.22(1.55) | 17.8(5.22) |            |
|                          | 50/70/100     |                      | 0.02   | 0.14(0.02)                            | 0.60(0.14) | 1.53(0.60) | 5.20(1.53) | 17.6(5.20) |            |

\* 1. Applied to the output shaft center @100rpm.

\* 2. Measured at 3000rpm with no load

※ The above figures/specifications are subject to change without prior notice.

Products due to human error, natural disasters or other factors lead to poor or damaged, will not be covered under warranty.