

# AI JET

## Pneumatic switches JET series

- Light with compact design
- Low operating force and high response time
- M5 threaded connections or push-in fitting tube Ø4
- Wide range of actuators and manual overrides for mounting panel (Original Univer)



### TECHNICAL CHARACTERISTICS

Ambient temperature	-10 ÷ +90 °C
Fluid temperature	max +50 °C
Fluid	not dehumidified filtered air 50 µm, lubricated or not
Commutation system	poppet system
Ways/Positions	<b>2/2 NC, 3/2 NC, 2/2 NO, 3/2 NO</b>
Pressure	max 10 bar
Control	manual, mechanical
Return	mechanical spring
Connections	M5, tube Ø4
Nominal Ø	2,5 mm
Nominal flow rate (NI/min)	70 NI/min

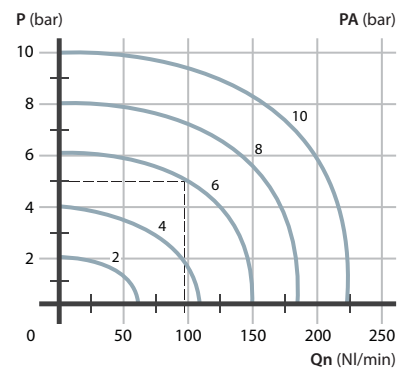
### CONSTRUCTIVE CHARACTERISTICS

Valve body	zamak
Seals	nitrile rubber
Spool	nickel-plated brass

### OTHER VERSIONS AVAILABLE



### Flow rate characteristics

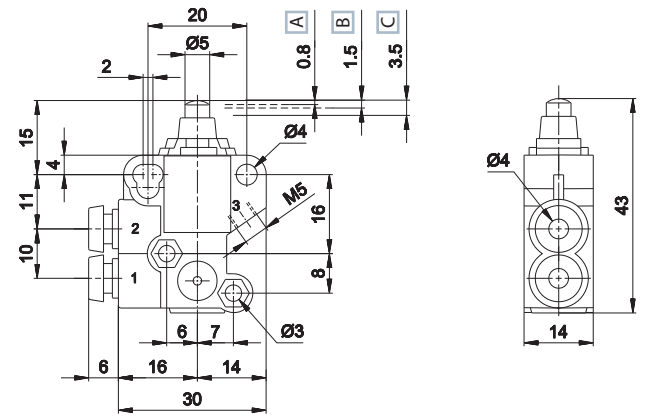


P = Working pressure  
 PA = Supply pressure  
 Qn = Flow rate

Ball-push - spring tube Ø4



	Symbol	Connection	Force (a) N	Weight Kg	Part no.
3/2 NC		tube Ø4	14	0,060	AI-9000
3/2 NO		tube Ø4	14	0,060	AI-9010
2/2 NC		tube Ø4	14	0,060	AI-9020
2/2 NO (b)		tube Ø4	14	0,060	AI-9030

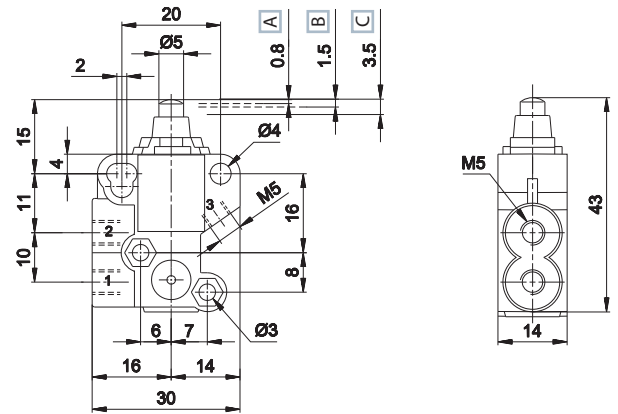


- A Pre-stroke
- B Maximum opening
- C Total stroke
- 1 = Supply port
- 2 = Use
- 3 = Exhaust

Ball-push - spring M5



	Symbol	Connection	Force (a) N	Weight Kg	Part no.
3/2 NC		M5	14	0,060	AI-9000M
3/2 NO		M5	14	0,060	AI-9010M
2/2 NC		M5	14	0,060	AI-9020M
2/2 NO (b)		M5	14	0,060	AI-9030M

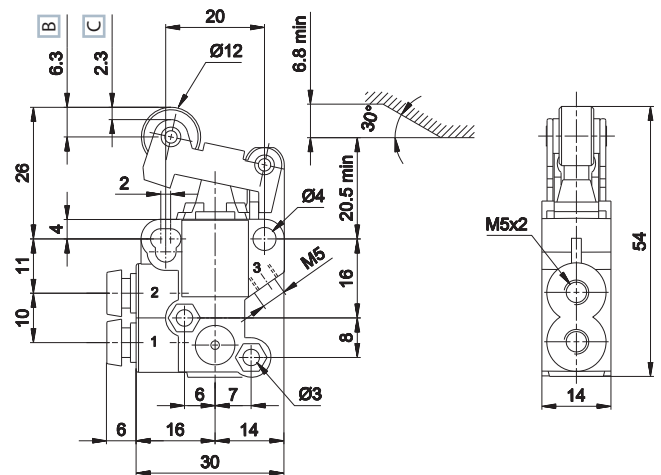


- A Pre-stroke
- B Maximum opening
- C Total stroke
- 1 = Supply port
- 2 = Use
- 3 = Exhaust

Roller lever - tube Ø4



	Symbol	Connection	Force (a) N	Weight Kg	Part no.
3/2 NC		tube Ø4	7	0,085	AI-9100
3/2 NO		tube Ø4	7	0,085	AI-9110
2/2 NC		tube Ø4	7	0,085	AI-9120
2/2 NO (b)		tube Ø4	7	0,085	AI-9130



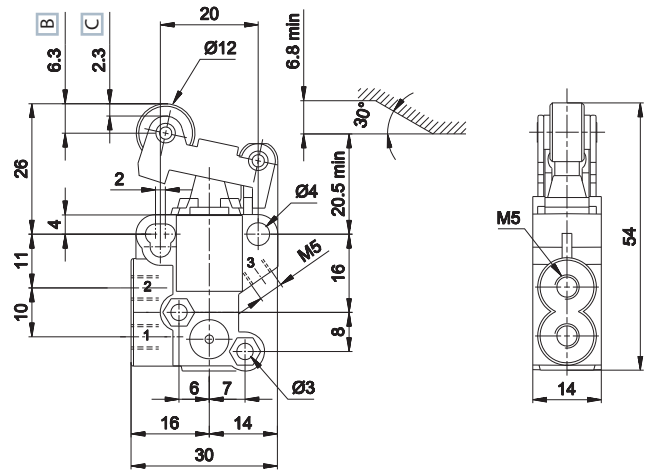
- B Maximum opening
- C Total stroke
- 1 = Supply port
- 2 = Use
- 3 = Exhaust

(a) = at 6 bar (b) = upon request 2/2 NO version

Roller lever - spring M5



	Symbol	Connection	Force (a) N	Weight Kg	Part no.
3/2 NC		M5	7	0,085	AI-9100M
3/2 NO		M5	7	0,085	AI-9110M
2/2 NC		M5	7	0,085	AI-9120M
2/2 NO (b)		M5	7	0,085	AI-9130M

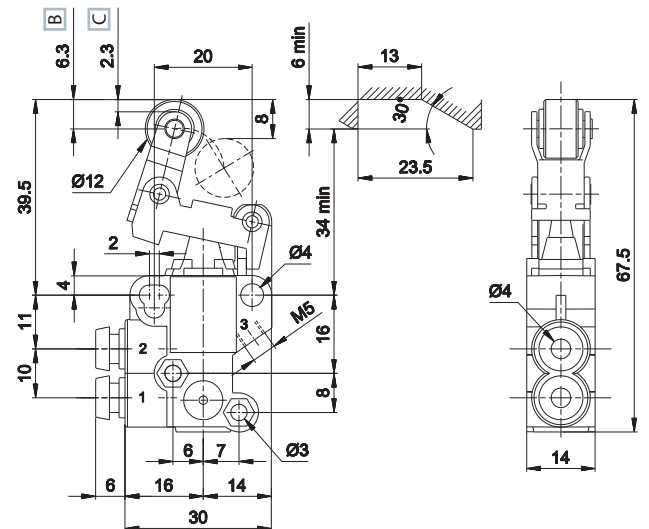


B Maximum opening  
C Total stroke  
1 = Supply port  
2 = Use  
3 = Exhaust

Uni-directional roller lever - spring tube Ø4



	Symbol	Connection	Force (a) N	Weight Kg	Part no.
3/2 NC		tube Ø4	4	0,085	AI-9200
3/2 NO		tube Ø4	4	0,085	AI-9210
2/2 NC		tube Ø4	4	0,085	AI-9220
2/2 NO (b)		tube Ø4	4	0,085	AI-9230

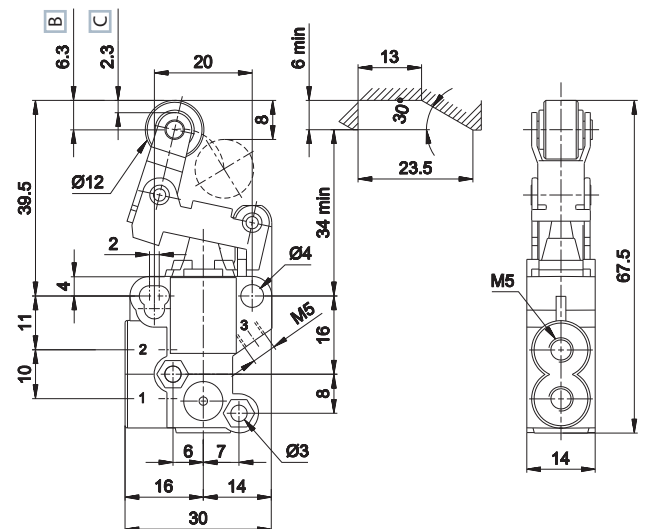


B Maximum opening  
C Total stroke  
1 = Supply port  
2 = Use  
3 = Exhaust

Uni-directional roller lever - spring M5



	Symbol	Connection	Force (a) N	Weight Kg	Part no.
3/2 NC		M5	4	0,085	AI-9200M
3/2 NO		M5	4	0,085	AI-9210M
2/2 NC		M5	4	0,085	AI-9220M
2/2 NO (b)		M5	4	0,085	AI-9230M



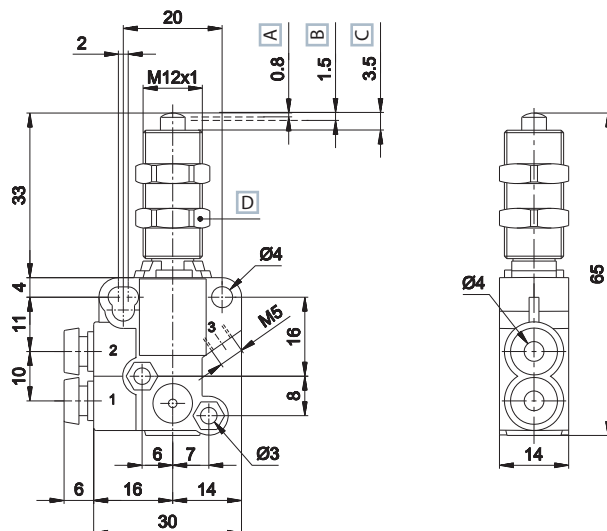
B Maximum opening  
C Total stroke  
1 = Supply port  
2 = Use  
3 = Exhaust

(a) = at 6 bar (b) = upon request 2/2 NO version

Mechanical push button with screw mounting - spring tube Ø4



	Symbol	Connection	Force (a) N	Weight Kg	Part no.
3/2 NC		tube Ø4	14	0,082	AI-9300
3/2 NO		tube Ø4	14	0,082	AI-9310
2/2 NC		tube Ø4	14	0,082	AI-9320
2/2 NO (b)		tube Ø4	14	0,082	AI-9330

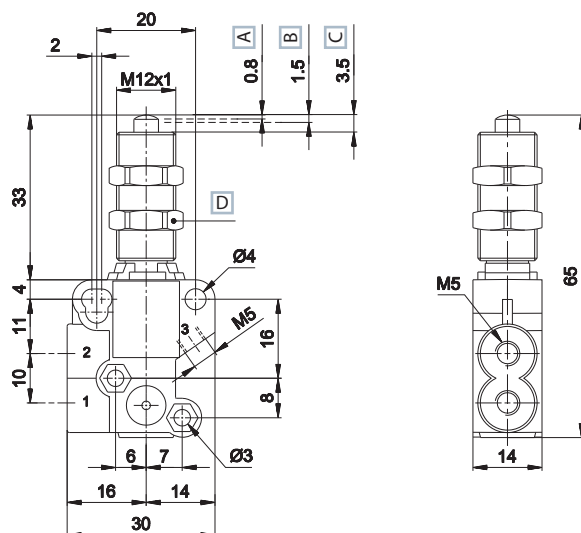


- A Pre-stroke
  - B Maximum opening
  - C Total stroke
  - D Wrench 14
- 1 = Supply port
  - 2 = Use
  - 3 = Exhaust

Mechanical push button with screw mounting - spring M5



	Symbol	Connection	Force (a) N	Weight Kg	Part no.
3/2 NC		M5	14	0,082	AI-9300M
3/2 NO		M5	14	0,082	AI-9310M
2/2 NC		M5	14	0,082	AI-9320M
2/2 NO (b)		M5	14	0,082	AI-9330M



- A Pre-stroke
  - B Maximum opening
  - C Total stroke
  - D Wrench 14
- 1 = Supply port
  - 2 = Use
  - 3 = Exhaust

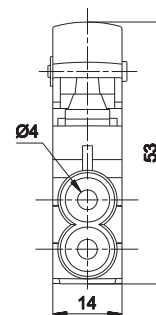
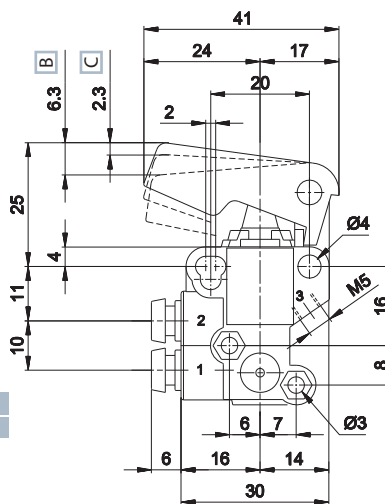
(a) = at 6 bar (b) = upon request 2/2 NO version

Button - spring tube Ø4



	Symbol	Connection	Force (a) N	Weight Kg	Part no.
3/2 NC		tube Ø4	7	0,065	AI-9350
3/2 NO		tube Ø4	7	0,065	AI-9360
2/2 NC		tube Ø4	7	0,065	AI-9370
2/2 NO (b)		tube Ø4	7	0,065	AI-9380

Button yellow colour



B Maximum opening  
C Total stroke

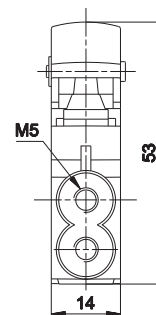
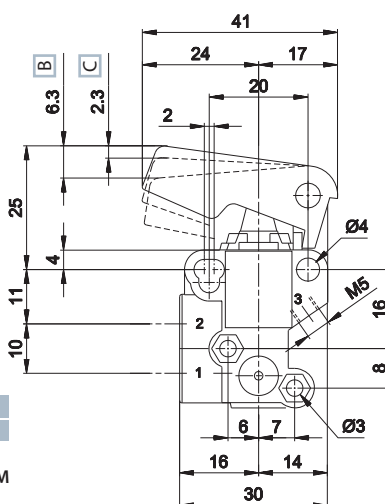
1 = Supply port  
2 = Use  
3 = Exhaust

Button - spring M5



	Symbol	Connection	Force (a) N	Weight Kg	Part no.
3/2 NC		M5	7	0,065	AI-9350M
3/2 NO		M5	7	0,065	AI-9360M
2/2 NC		M5	7	0,065	AI-9370M
2/2 NO (b)		M5	7	0,065	AI-9380M

Button yellow colour



B Maximum opening  
C Total stroke

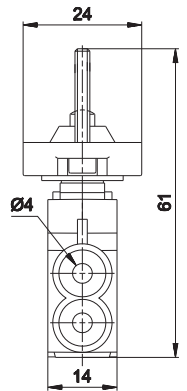
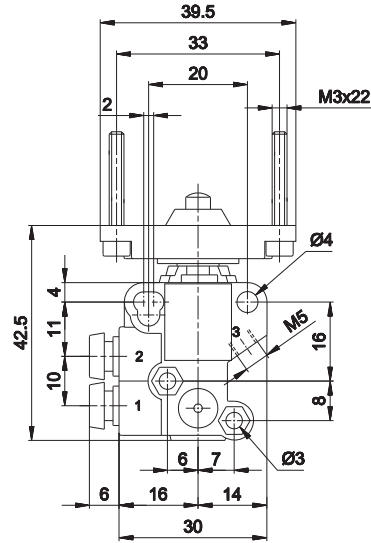
1 = Supply port  
2 = Use  
3 = Exhaust

(a) = at 6 bar (b) = upon request 2/2 NO version

Mechanical push button for panel mounting - spring tube Ø4



	Symbol	Connection	Force (a) N	Weight Kg	Part no.
3/2 NC		tube Ø4	14	0,075	AI-9400
3/2 NO		tube Ø4	14	0,075	AI-9410
2/2 NC		tube Ø4	14	0,075	AI-9420
2/2 NO (b)		tube Ø4	14	0,075	AI-9430

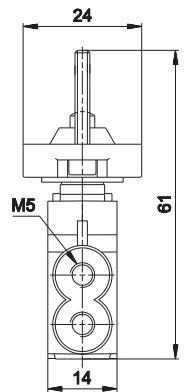
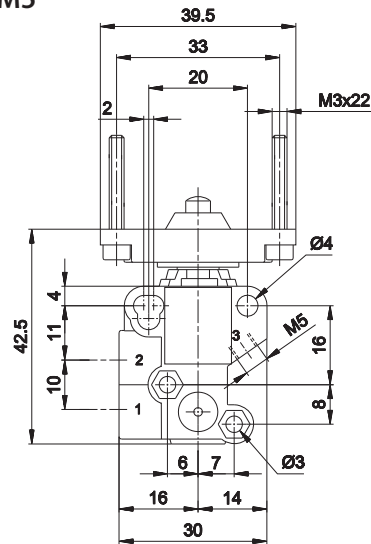


1 = Supply port  
2 = Use  
3 = Exhaust

Mechanical push button for panel mounting - spring M5



	Symbol	Connection	Force (a) N	Weight Kg	Part no.
3/2 NC		M5	14	0,075	AI-9400M
3/2 NO		M5	14	0,075	AI-9410M
2/2 NC		M5	14	0,075	AI-9420M
2/2 NO (b)		M5	14	0,075	AI-9430M



1 = Supply port  
2 = Use  
3 = Exhaust

MANUAL ACTUATORS

	Recessed button	<ul style="list-style-type: none"> <li>■ BLACK AI-3511Q</li> <li>■ RED AI-3512Q</li> <li>■ GREEN AI-3513Q</li> </ul>			Rotating lever selector	<ul style="list-style-type: none"> <li>■ BLACK AI-3522Q</li> <li>■ BLACK AI-3523Q</li> </ul>	
	Head button	<ul style="list-style-type: none"> <li>■ RED AI-3514Q</li> <li>■ BLACK AI-3516Q</li> <li>■ RED AI-3514QD</li> <li>■ BLACK AI-3516QD</li> </ul>			Lever operator	<ul style="list-style-type: none"> <li>■ BLACK AI-3524Q</li> </ul>	
	Button	<ul style="list-style-type: none"> <li>■ GREEN AI-3515Q</li> <li>■ RED AI-3517Q</li> <li>■ BLACK AI-3519Q</li> </ul>			Omni-directional operator	<ul style="list-style-type: none"> <li>■ BLACK AI-3525Q</li> </ul>	
	Rotating selector	<ul style="list-style-type: none"> <li>■ BLACK AI-3520Q</li> <li>■ BLACK AI-3521Q</li> </ul>			Push-pull operator	<ul style="list-style-type: none"> <li>■ BLACK AI-3526Q</li> </ul>	

(a) = at 6 bar (b) = upon request 2/2 NO version  
For actuator dimensions refer to section "Accessories>Actuators"