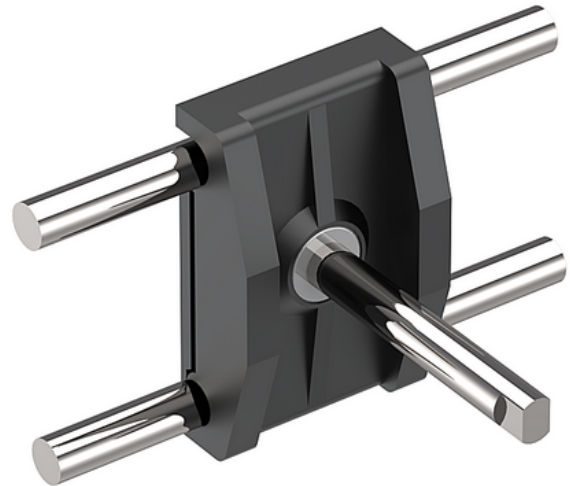
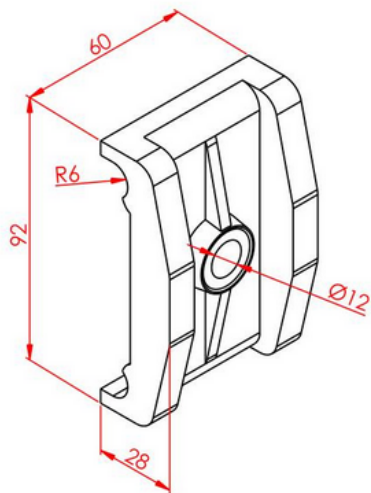


DOUBLE-SHAFT HOLDER Ø12 MM



General Specifications

Double holders preferred for connecting side barrier shafts on conveyor systems.

Stock Code	Stock Name	Material	Weight (gr)
3.006.210.011.100	Double-Shaft Holder Ø12 mm	Plastic	96