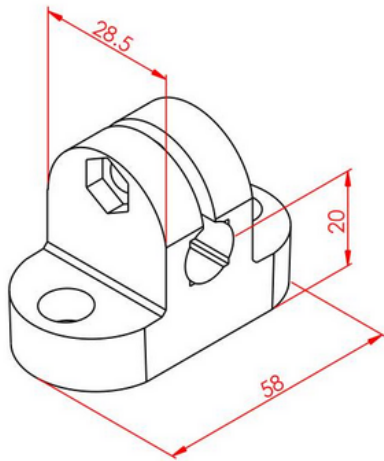


CONSOLE BODY CONNECTION CLAMP



General Specifications

Plastic holders that ensure connection of shaft-barrier routers on conveyor systems.

Stock Code	Stock Name	Material	Weight (gr)
3.006.214.152.012	Console Body Connection Clamp	Plastic	32.5