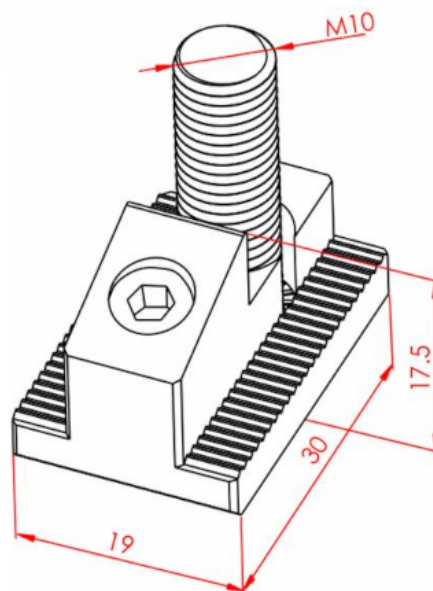
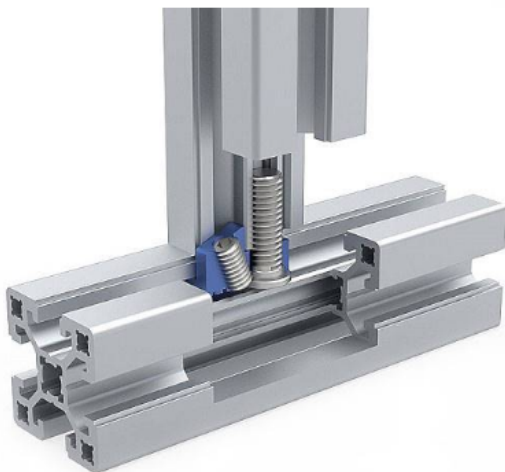


Stock Code	Stock Name	Material	Weight (gr)
2.1.012.08.01	In-Slot Connection - Slot 8	Steel	15



Stock Code	Stock Name	Material	Weight (gr)
2.1.012.10.04	In-slot Connection - Slot 10	Steel	27