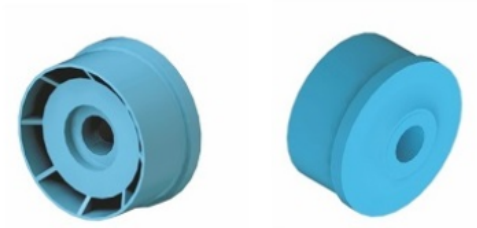
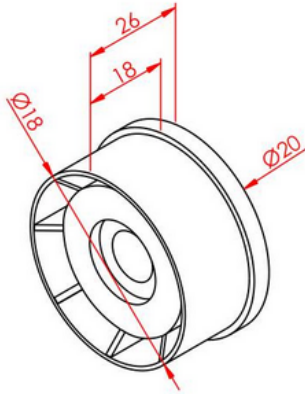


# PLASTIC ROLL HEAD Ø20 X 1



## General Specifications

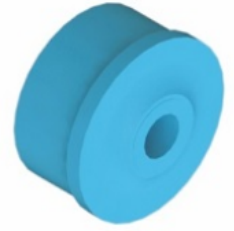
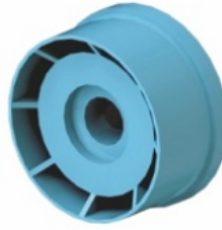
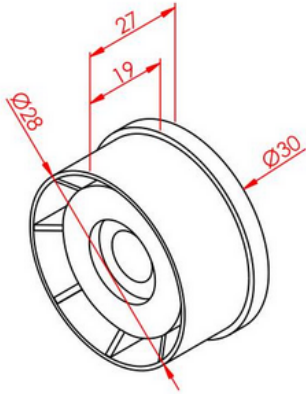
## Application examples

Rollers that ensure bedding by mounting on two heads of  $\text{Ø}20$  aluminum idle rollers.

Stock Code	Stock Name	A	B	ØD	Ød	Material	Weight (gr)
3.010.20.1	Plastic Roll Head $\text{Ø}20 \times 1$	26	18	20	18	Plastic	5.5



# PLASTIC ROLL HEAD Ø30 X 1



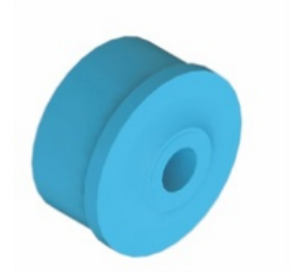
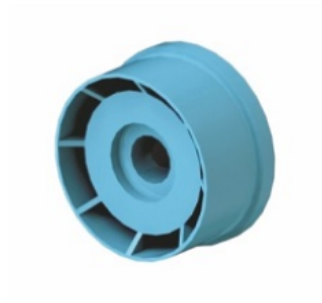
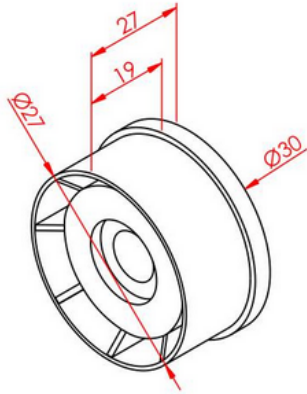
## General Specifications

## Application examples

Rollers that ensure bedding by mounting on two heads of aluminum idle rolls thanks to ball bearings within.

Stock Code	Stock Name	A	B	ØD	Ød	Material	Weight (gr)
3.010.30.1	Plastic Roll Head Ø30 x 1	27	19	30	28	Plastic	11.5

# PLASTIC ROLL HEAD Ø30 X 1.5



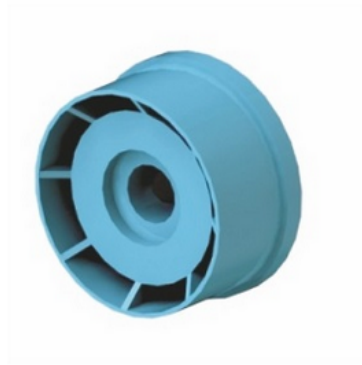
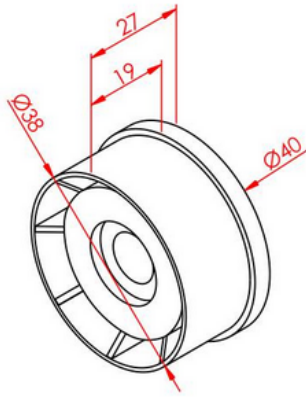
## General Specifications

## Application examples

Rollers that ensure bedding by mounting on two heads of aluminum idle rolls thanks to ball bearings within.

Stock Code	Stock Name	A	B	ØD	Ød	Material	Weight (gr)
3.010.30.1.5	Plastic Roll Head Ø30 x 1.5	27	19	30	27	Plastic	11

# PLASTIC ROLL HEAD Ø40 X 1.5



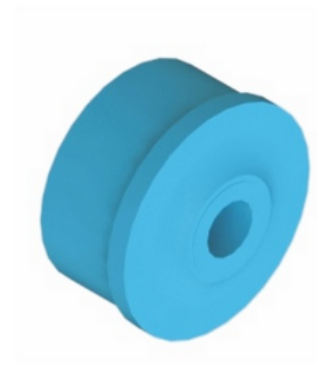
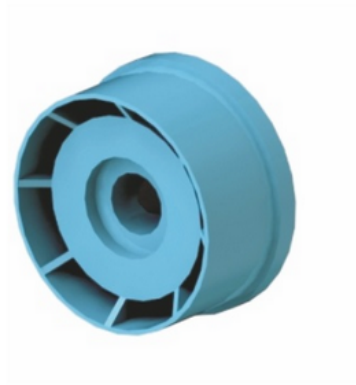
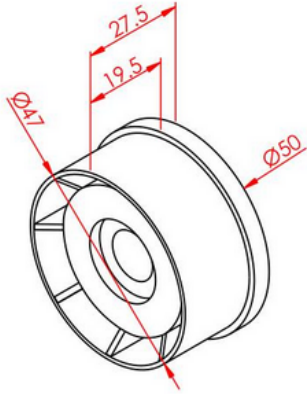
## General Specifications

## Application examples

Bedding rollers mounted on two heads of idle rolls. Mostly applied on rollers used in construction of conveyors

Stock Code	Stock Name	A	B	ØD	Ød	Material	Weight (gr)
3.010.40.1.5	Plastic Roll Head Ø40 x 1.5	27	19	40	38	Plastic	15

# PLASTIC ROLL HEAD Ø50 X 1.5



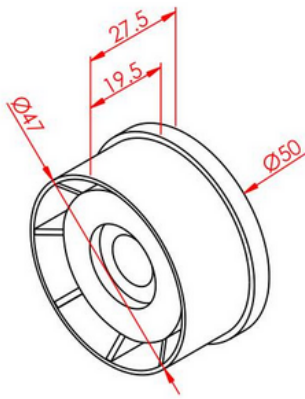
## General Specifications

## Application examples

These rollers ensure bedding thanks to ball bearings within, by mounting on two heads of aluminum idle rollers.

Stock Code	Stock Name	A	B	ØD	Ød	Material	Weight (gr)
3.010.50.1	Plastic Roll Head Ø50 x 1.5	27.5	19.5	50	47	Plastic	60

PLASTIC ROLL HEAD Ø50 X 1.5 KTR PLS. BLACK



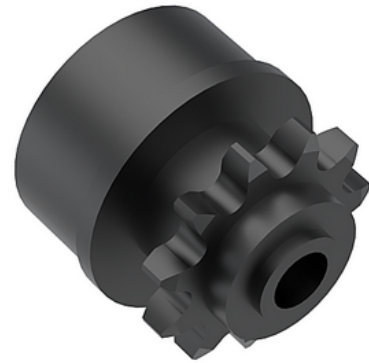
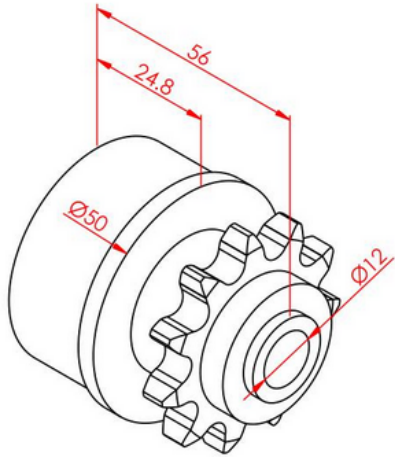
General Specifications

Application examples

These rollers ensure bedding thanks to ball bearings within, by mounting on two heads of aluminum idle rollers.

Stock Code	Stock Name	A	B	ØD	Ød	Material	Weight (gr)
3.010.50.1.1	Plastic Roll Head Ø50 x 1.5/Ø12 Ktr Black	27.5	19.5	50	47	Plastic	60

## Ø 50 MM 1/2' ROLLER CHAIN WHEEL (PLASTIC)



### General Specifications

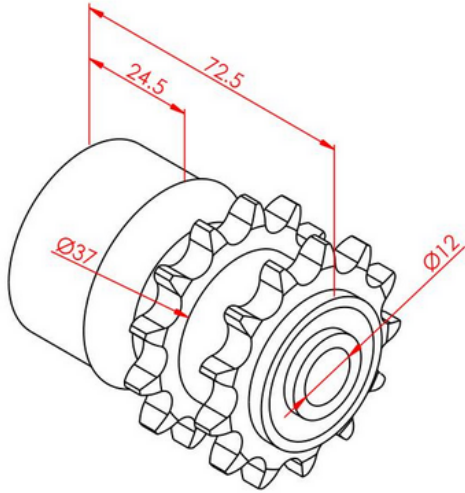
### Application examples

Plastic components mounted on aluminum or steel roller heads for chain motion on conveyor applications with drive roller.

Stock Code	Stock Name	A	B	D	d	Material	Weight (gr)
3.012.03	Ø 50 mm 1/2' Roller Chain Wheel (Plastic)	56	24.8	50	12	Plastic	82



# Ø 50 MM 1/2' DOUBLE ROLLER CHAIN WHEEL (PLASTIC)



## General Specifications

## Application examples

Double teeth plastic components mounted on aluminum or steel roll heads for chain motion on conveyor applications with drive roller.

Stock Code	Stock Name	A	B	D	d	Material	Weight (gr)
3.012.03.03	Ø 50 mm 1/2' Double Roller Chain Wheel (Plastic)	72.5	24.5	37	Ø12.4	Plastic	87.6