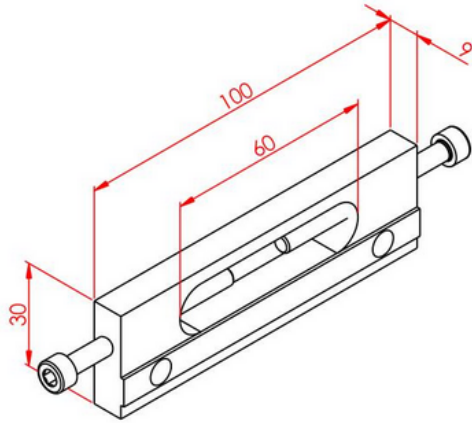


## BOTTOM RETURN ROLLER BEARING



### General Specifications

Components used in bottom surface of conveyors in order to prevent belt from sagging and to fix return rollers .

Stock Code	Stock Name	Material	Weight (gr)
3.006.01	Bottom Return Roller Bearing	Aluminium	66