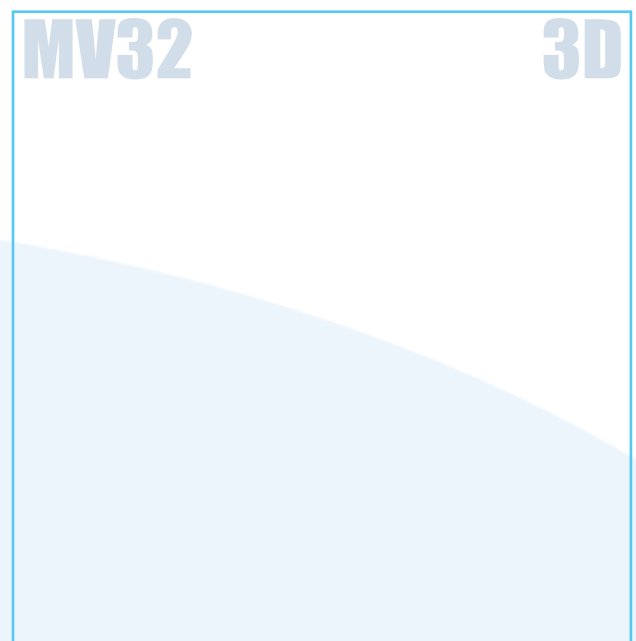
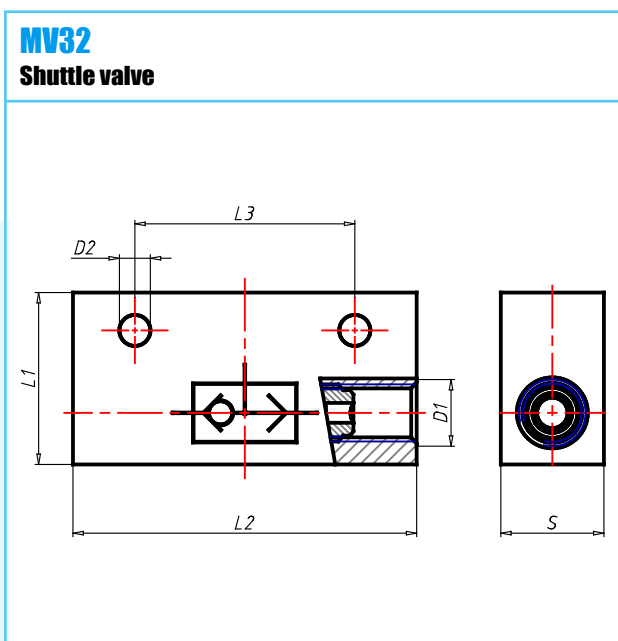


Material: Brass Nickel Plated
Working Temperature: -10 ÷ 70 C°
Working Temperature: F°
Working Pressure (max): 2 ÷ 10 bar
Working Pressure (max): psi
Vacuum: kPa
Vacuum: Hg
Conformity:

Conformity:
Conformity:
Conformity:
Conformity:
Application Pneumatic installations fed with filtered, lubricated air



CODE	TIPO	D1	D2	L1	L2	L3	S	G	CONF
4220001	MV32 00 18	G1/8	4.5	25	50	32	15	46	RoHS
4220002	MV32 00 14	G1/4	5.5	30	52	35	25	76	RoHS