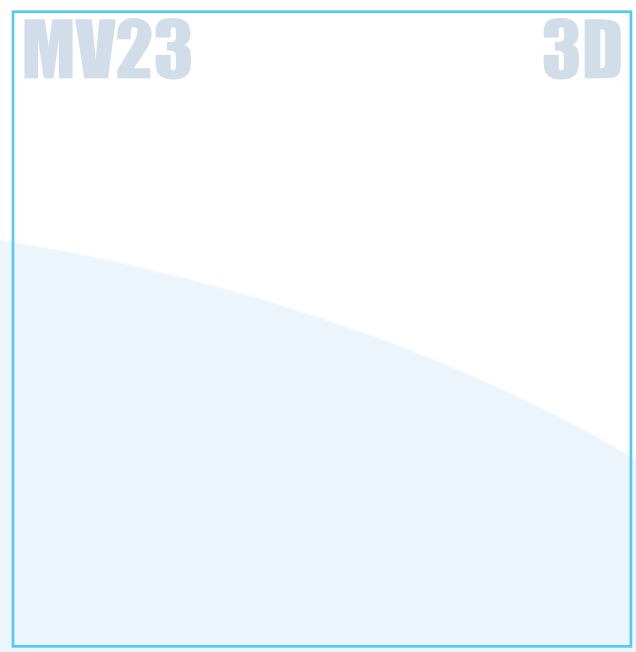
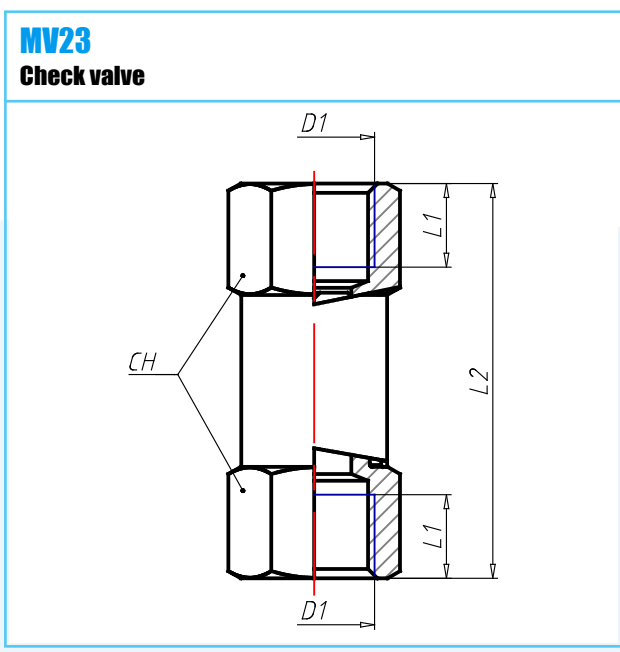


**Material:** Brass Nickel Plated  
**Working Temperature:** -10 ÷ 70 C°  
**Working Temperature:** F°  
**Working Pressure (max):** 2 ÷ 10 bar  
**Working Pressure (max):** psi  
**Vacuum:** kPa  
**Vacuum:** Hg  
**Conformity:**

**Conformity:**  
**Conformity:**  
**Conformity:**  
**Conformity:**  
**Application** Pneumatic installations fed with filtered, lubricated air



CODE	TIPO	D1	L1	L2	CH	G	CONF
4130000	MV23 00 M5	M5x0,8	6.0	25.0	8	8	RoHS
4130001	MV23 00 18	G1/8	8.0	36.5	13	26	RoHS
4130002	MV23 00 14	G1/4	9.0	42.5	16	38	RoHS
4130003	MV23 00 38	G3/8	10.5	51.0	20	72	RoHS
4130004	MV23 00 12	G1/2	12.5	62.0	24	119	RoHS