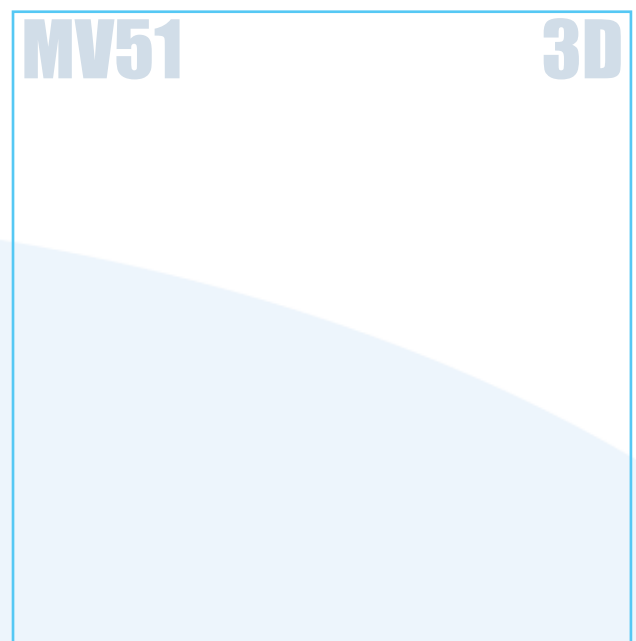
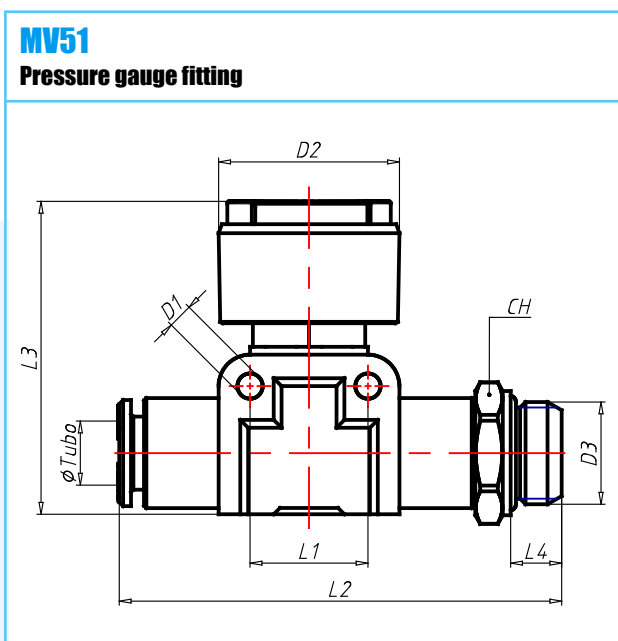


Material: POM
Working Temperature: 0 ÷ 70 C°
Working Temperature: 0 ÷ 10 F°
Working Pressure (max): 0 ÷ 10 bar
Working Pressure (max): 0 ÷ 10 psi
Vacuum: kPa
Vacuum: Hg
Conformity:

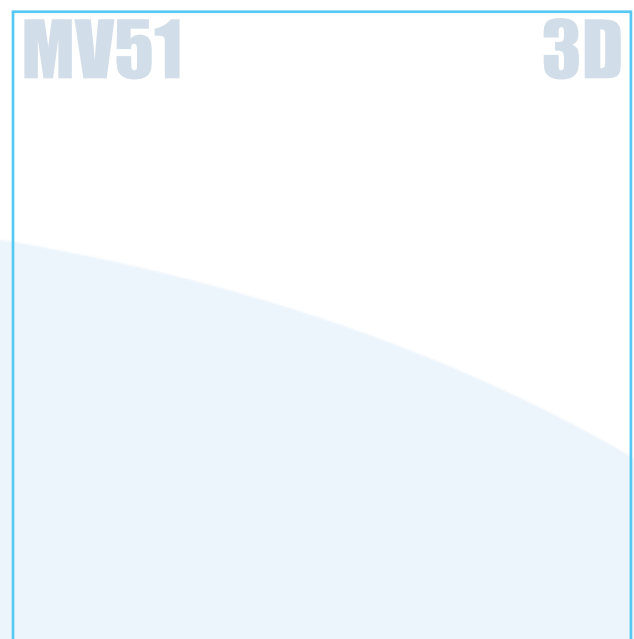
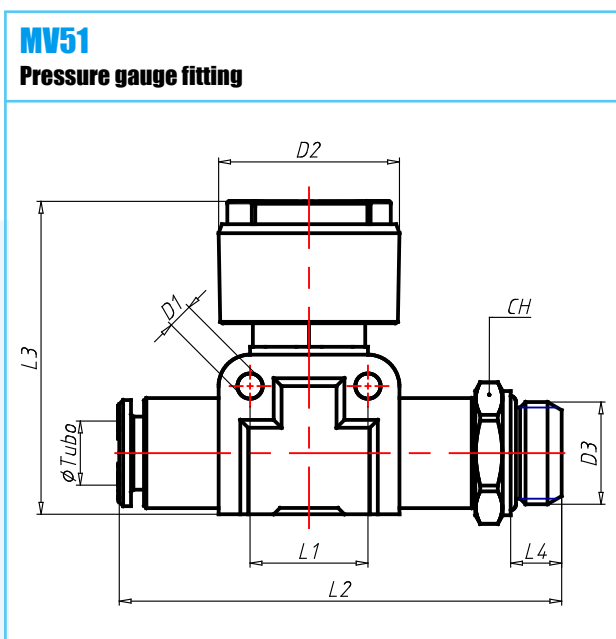
Conformity:
Conformity:
Conformity:
Conformity:
Application Pneumatic installations fed with filtered, lubricated air



CODE	TIPO	TUBO	D1	D2	D3	L1	L2	L3	L4	CH	G	CONF
4410031	MV51 06 06	6	3.2	23	-	15	45	38.0	-	-	15	RoHS
4410032	MV51 06 18	6	3.2	23	G1/8	15	52	38.0	5	13	21	RoHS
4410041	MV51 06 14	6	3.2	23	G1/4	15	54	38.0	6.5	16	23	RoHS
4410042	MV51 08 08	8	3.2	23	-	15	46	39.5	-	-	16	RoHS
4413030	MV51 08 18	8	3.2	23	G1/8	15	53	39.5	5	14	23	RoHS
4414040	MV51 08 14	8	3.2	23	G1/4	15	55	39.5	6.5	16	25	RoHS

Material: POM
Working Temperature: 0 ÷ 70 C°
Working Temperature: 0 ÷ 10 F°
Working Pressure (max): 0 ÷ 10 bar
Working Pressure (max): 0 ÷ 10 psi
Vacuum: kPa
Vacuum: Hg
Conformity:

Conformity:
Conformity:
Conformity:
Conformity:
Application Pneumatic installations fed with filtered, lubricated air



CODE	TIPO	TUBO	D1	D2	D3	L1	L2	L3	L4	CH	G	CONF
4410031	MV51 06 06	6	3.2	23	-	15	45	38.0	-	-	15	RoHS
4410032	MV51 06 18	6	3.2	23	G1/8	15	52	38.0	5	13	21	RoHS
4410041	MV51 06 14	6	3.2	23	G1/4	15	54	38.0	6.5	16	23	RoHS
4410042	MV51 08 08	8	3.2	23	-	15	46	39.5	-	-	16	RoHS
4413030	MV51 08 18	8	3.2	23	G1/8	15	53	39.5	5	14	23	RoHS
4414040	MV51 08 14	8	3.2	23	G1/4	15	55	39.5	6.5	16	25	RoHS