

# LAGP063

Pneumatic power pivot



|   |   |   |   |   |   |   |   |   |   |   |   |   |  |   |
|---|---|---|---|---|---|---|---|---|---|---|---|---|--|---|
| L | A | G | P | 0 | 6 | 3 | V | U | 0 | 9 | 0 | B |  |   |
| 1 |   |   | 2 |   | 3 |   |   | 4 |   | 5 |   | 6 |  | 7 |

|                 |                  |               |
|-----------------|------------------|---------------|
| <b>1 Series</b> | <b>2 Version</b> | <b>3 Size</b> |
|-----------------|------------------|---------------|

**LAG** = Power pivot with predetermine pivot rotation angles

**P** = Pneumatic-standard

**063** = Ø 63 mm cylinder

|                         |                 |                                |
|-------------------------|-----------------|--------------------------------|
| <b>4 Table position</b> | <b>5 Sensor</b> | <b>6 Pivot rotation angles</b> |
|-------------------------|-----------------|--------------------------------|

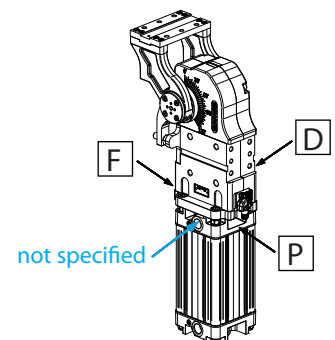
**V** = Vertical 180°  
**O** = Horizontal 90°  
**Z** = Vertical, mirror of V position  
**P** = Horizontal, mirror of O position (Max opening angle 60°)

**U** = Electronic sensor with M12 swivel connector

**120** = 120°  
**090** = 90°  
**060** = 60°  
**045** = 45°

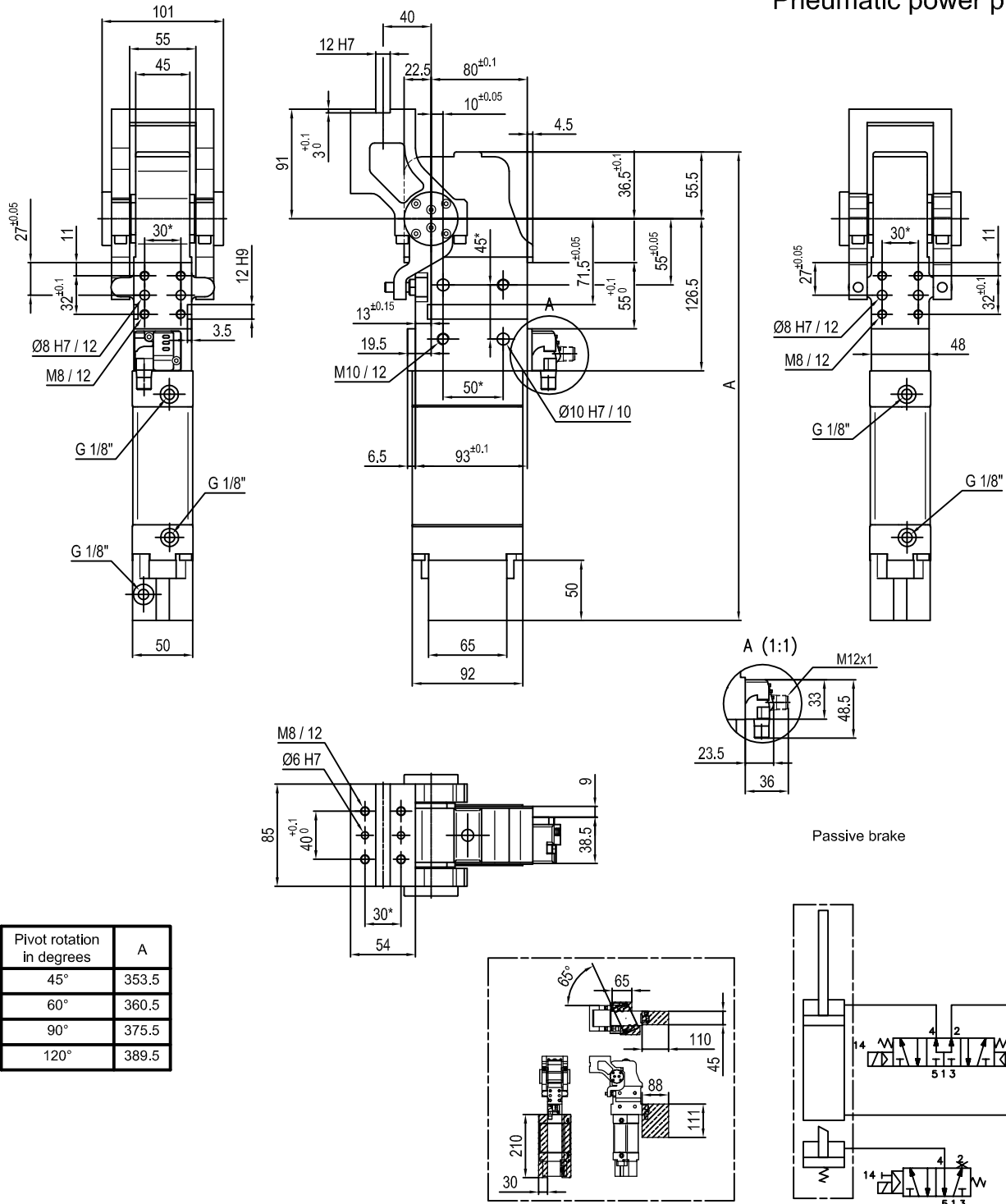
|                       |
|-----------------------|
| <b>7 Brake system</b> |
|-----------------------|

**B** = With brake



UNIVER SpA recommends that all power pivot applications are validated by UNIVER technical department

## Pneumatic power pivot



| Pivot rotation in degrees | A     |
|---------------------------|-------|
| 45°                       | 353.5 |
| 60°                       | 360.5 |
| 90°                       | 375.5 |
| 120°                      | 389.5 |

| Size | Holding moment | Max. torque at the rotary table 0,55 MPa | Weight |
|------|----------------|------------------------------------------|--------|
| 63   | 1750 Nm        | 11 Nm                                    | 5,2 Kg |

Min./Max. operating pressure: **0,4 / 0,6 MPa**

Operating temperature: **5° + 45° C**

Predeterminate pivot rotation in degrees: **45° - 60° - 90° - 120°**

Electronic sensor with M12 swivel connector that can be orientated at 0° or 90°

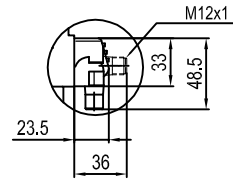
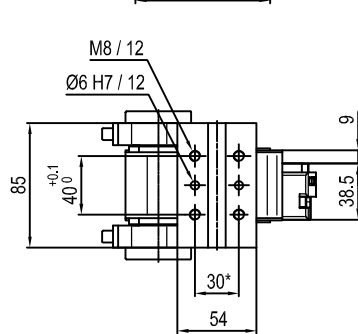
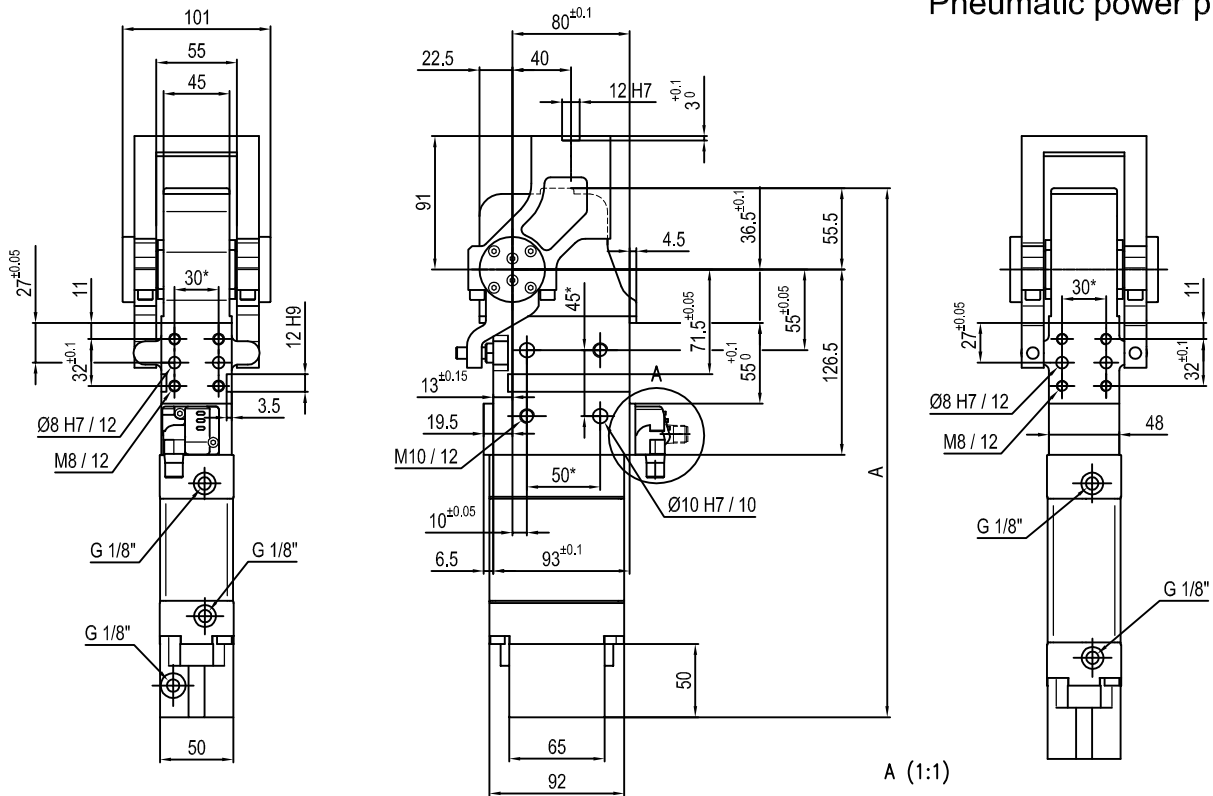
Supply voltage: 10÷30 V DC

IP code: **IP 65**

Pneumatic ports on both sides

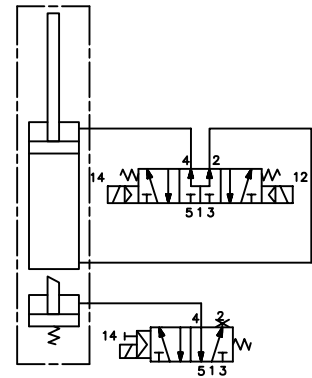
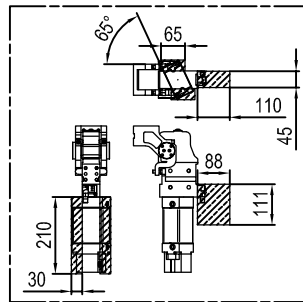
\* : TOLERANCE BETWEEN DOWEL HOLES ± 0.02, TO SCREW HOLES ± 0.1

## Pneumatic power pivot



Passive brake

| Pivot rotation in degrees | A     |
|---------------------------|-------|
| 45°                       | 353.5 |
| 60°                       | 360.5 |



| Size | Holding moment | Max. torque at the rotary table 0,55 MPa | Weight |
|------|----------------|------------------------------------------|--------|
| 63   | 1750 Nm        | 11 Nm                                    | 5,2 Kg |

Min./Max. operating pressure: **0,4 / 0,6 MPa**

Operating temperature: **5° + 45° C**

Predeterminate pivot rotation in degrees: **45° - 60°**

Electronic sensor with M12 swivel connector that can be orientated at 0° or 90°

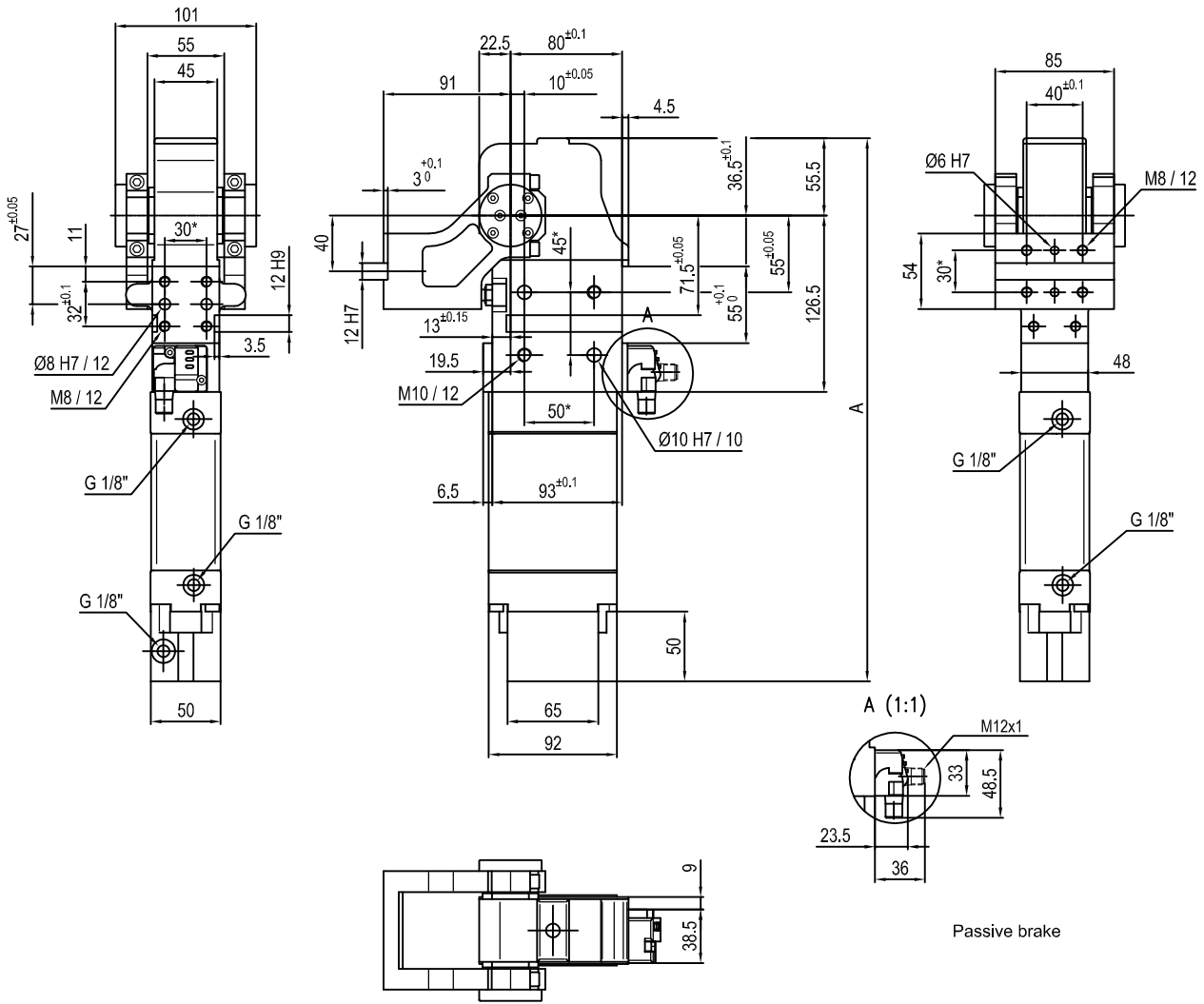
Supply voltage: 10=30 V DC

IP code: **IP 65**

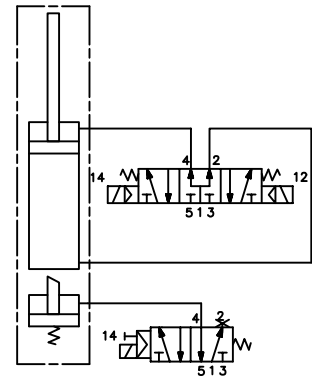
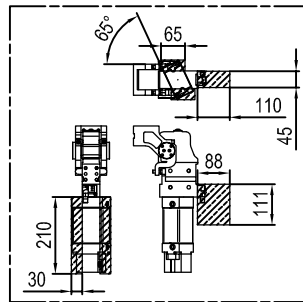
Pneumatic ports on both sides

\* : TOLERANCE BETWEEN DOWEL HOLES ± 0.02, TO SCREW HOLES ± 0.1

## Pneumatic power pivot



| Pivot rotation in degrees | A     |
|---------------------------|-------|
| 45°                       | 353.5 |
| 60°                       | 360.5 |
| 90°                       | 375.5 |
| 120°                      | 389.5 |



| Size | Holding moment | Max. torque at the rotary table 0,55 MPa | Weight |
|------|----------------|------------------------------------------|--------|
| 63   | 1750 Nm        | 11 Nm                                    | 5,2 Kg |

Min./Max. operating pressure: **0,4 / 0,6 MPa**

Operating temperature: **5° + 45° C**

Predeterminate pivot rotation in degrees: **45° - 60° - 90° - 120°**

Electronic sensor with M12 swivel connector that can be orientated at 0° or 90°

Supply voltage: 10÷30 V DC

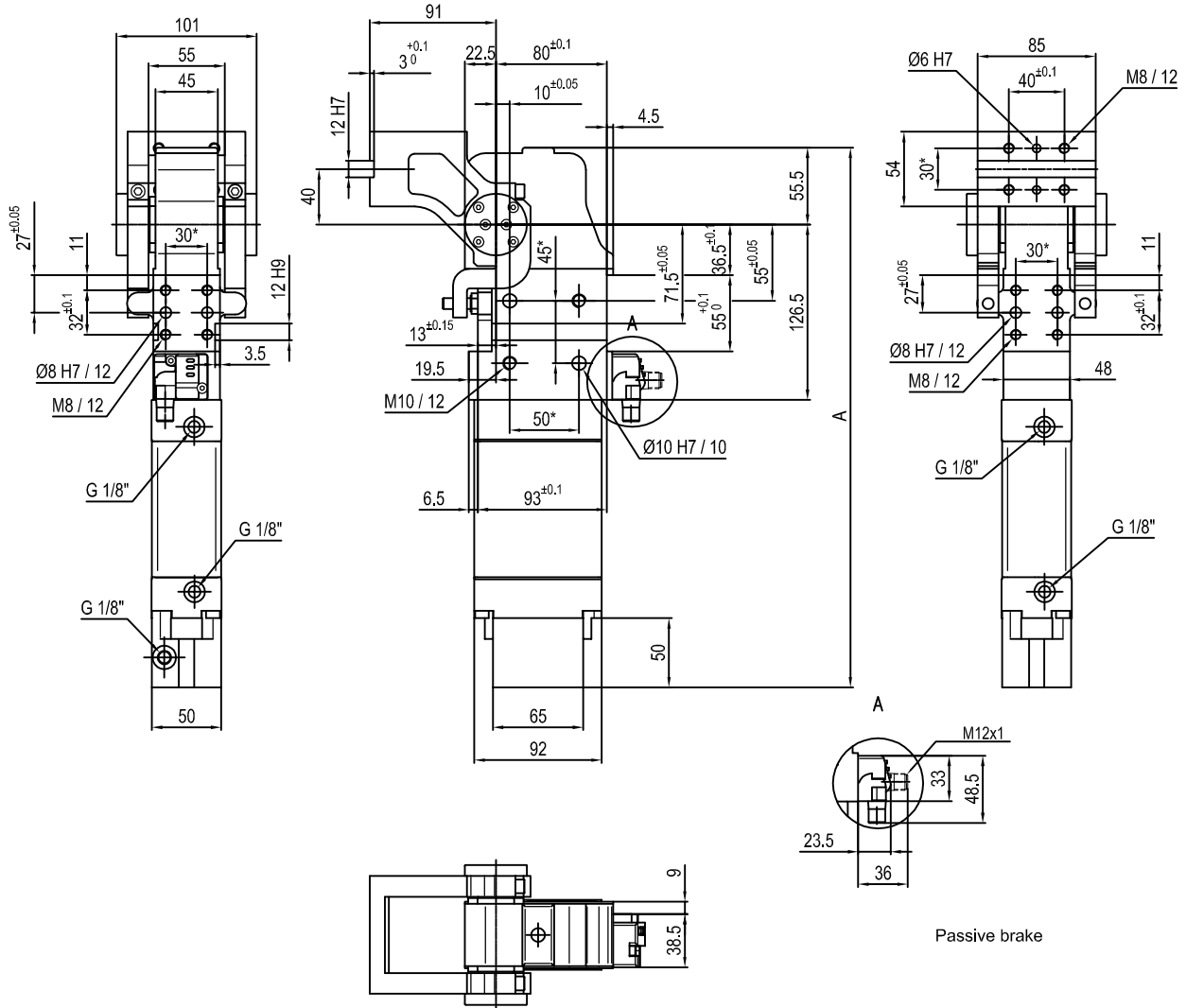
IP code: **IP 65**

Pneumatic ports on both sides

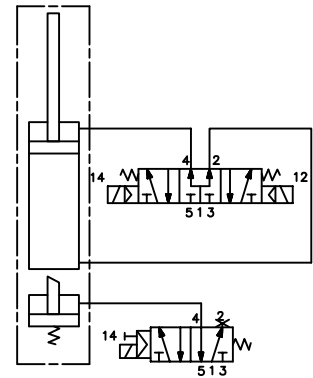
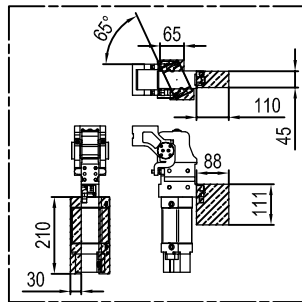
\* : TOLERANCE BETWEEN DOWEL HOLES ± 0.02, TO SCREW HOLES ± 0.1

Subject to technical modifications without notice.

## Pneumatic power pivot



| Pivot rotation in degrees | A     |
|---------------------------|-------|
| 45°                       | 353.5 |
| 60°                       | 360.5 |
| 90°                       | 375.5 |
| 120°                      | 389.5 |



| Size | Holding moment | Max. torque at the rotary table 0,55 MPa | Weight |
|------|----------------|------------------------------------------|--------|
| 63   | 1750 Nm        | 11 Nm                                    | 5,2 Kg |

Min./Max. operating pressure: **0,4 / 0,6 MPa**

Operating temperature: **5° + 45° C**

Predeterminate pivot rotation in degrees: **45° - 60° - 90° - 120°**

Electronic sensor with M12 swivel connector that can be orientated at 0° or 90°

Supply voltage: 10÷30 V DC

IP code: **IP 65**

Pneumatic ports on both sides

\* : TOLERANCE BETWEEN DOWEL HOLES ± 0.02, TO SCREW HOLES ± 0.1

Subject to technical modifications without notice.