

# LAGP080

Pneumatic power pivot



L	A	G	P	0	8	0	V	E	0	9	0	B	C	
1	2	3	4	5	6	7	8	9						

<b>1 Series</b>	<b>2 Version</b>	<b>3 Size</b>
-----------------	------------------	---------------

**LAG** = Power pivot with predetermine pivot rotation angles

**P** = Pneumatic-standard

**080** = 60 Nm Ø80 mm

<b>4 Table position</b>	<b>5 Sensor</b>	<b>6 Pivot rotation angles</b>
-------------------------	-----------------	--------------------------------

**V** = Vertical 180°  
**O** = Horizontal 90°  
**Z** = Vertical, mirror of V position  
**P** = Horizontal, mirror of O position (Max opening angle 60°)

**E** = Electronic sensor with M12 swivel connector (DF-U)  
**A** = Electronic sensor with M12 swivel connector + electronic sensor for brake condition detection (2x DF-U)

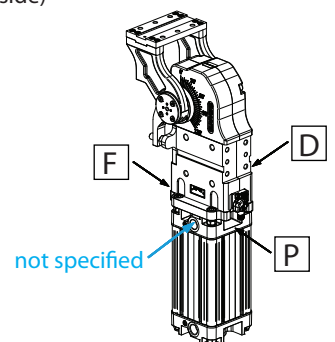
**120** = 120°  
**090** = 90°  
**060** = 60°  
**045** = 45°

<b>7 Brake system</b>	<b>8 Valve</b>	<b>9 Connections</b>
-----------------------	----------------	----------------------

**B** = With brake  
**W** = Without brake

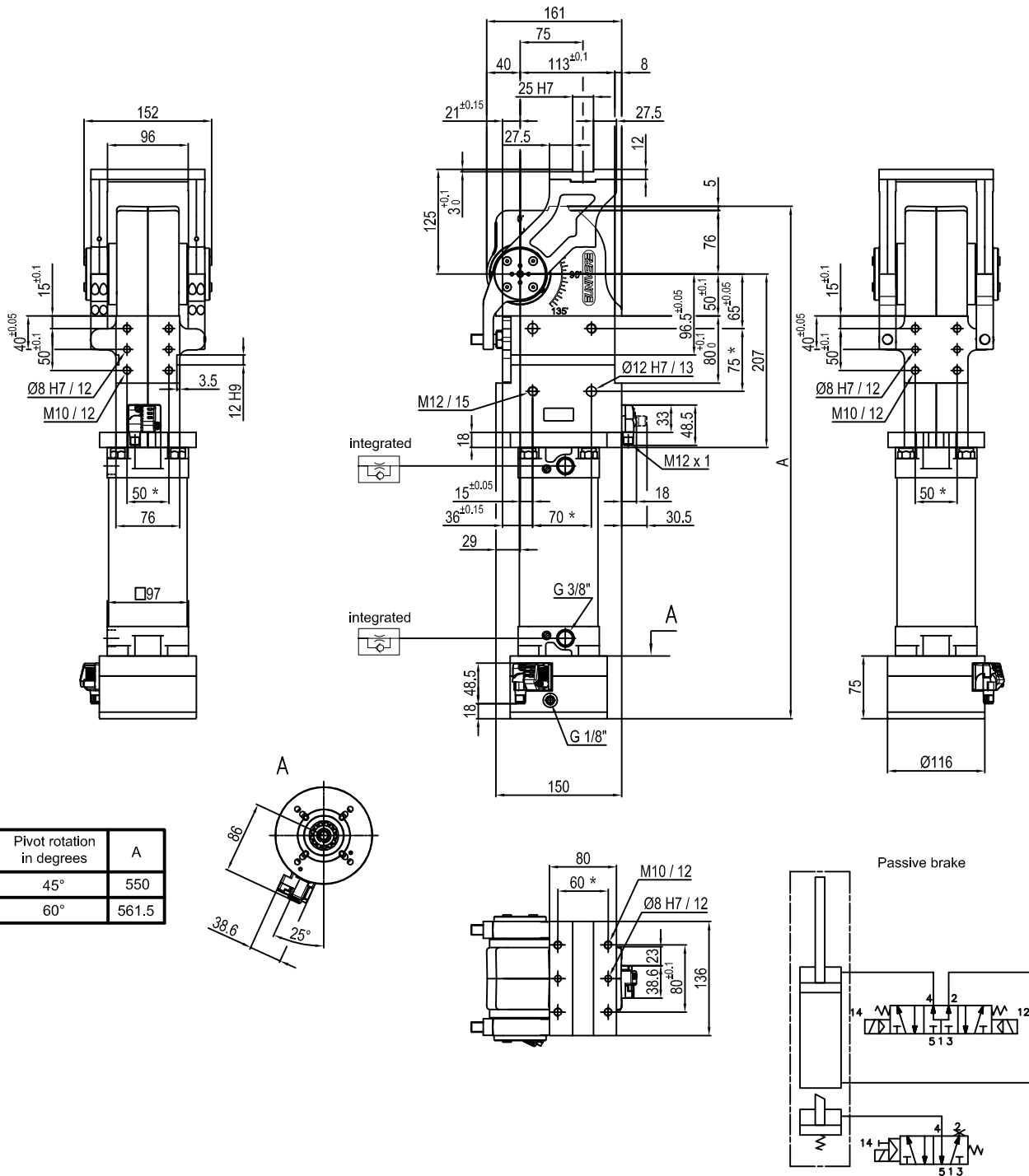
**C** = Integrated valve for cycle time optimization

**D** = Right side (sensor right side)  
**F** = Front side (in front of the sensor)  
**P** = Rear side (same side as sensor)  
 If not specified, on the left side (sensor left side)

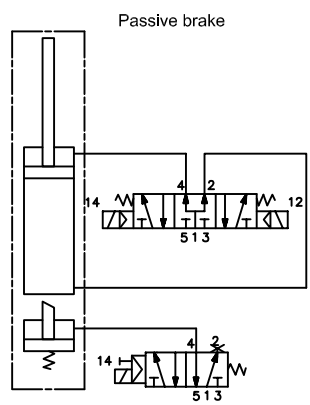
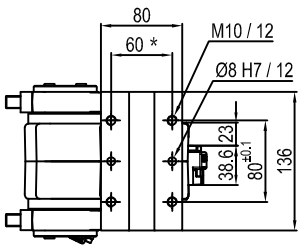
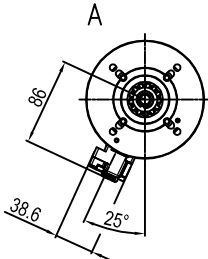


UNIVER SpA recommends that all power pivot applications are validated by UNIVER technical department





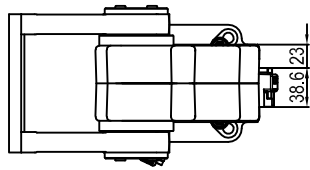
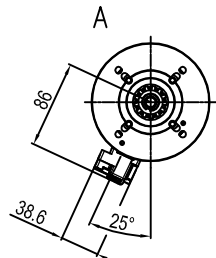
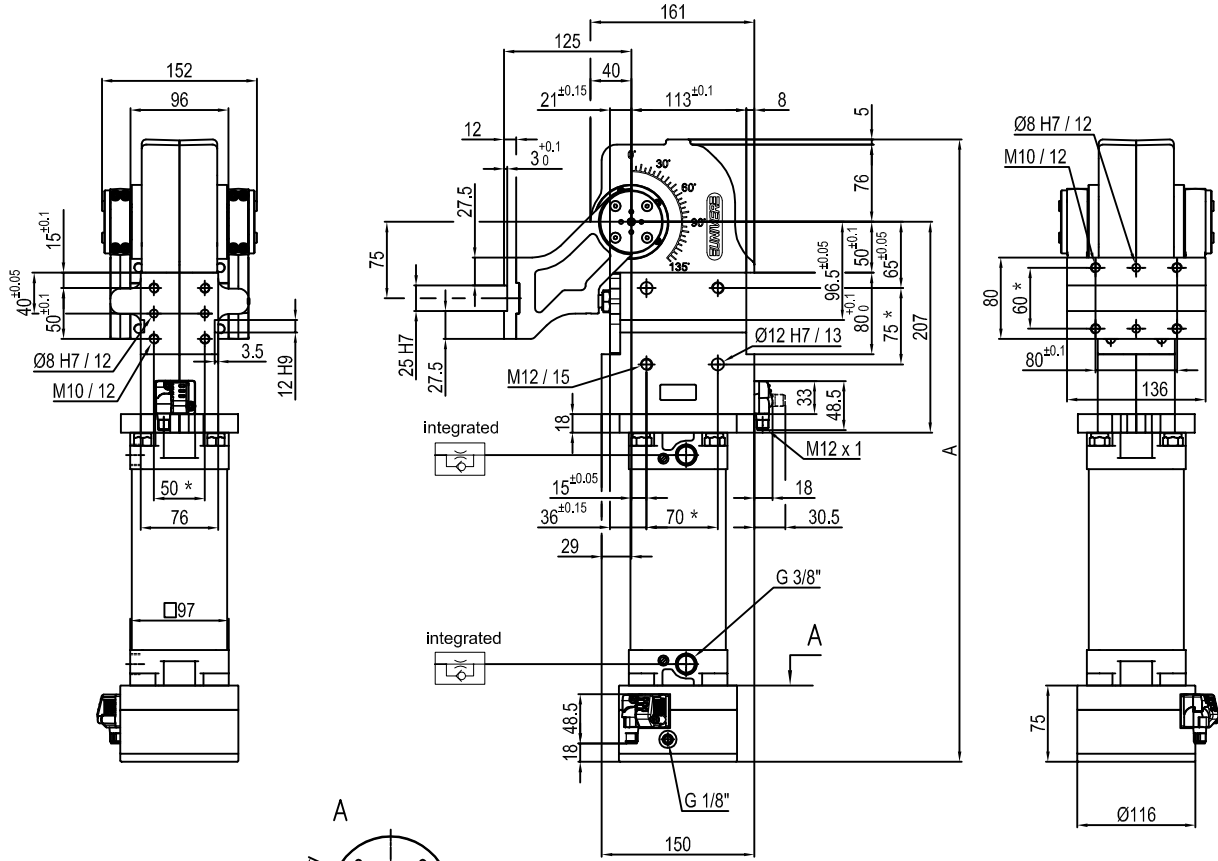
Pivot rotation in degrees	A
45°	550
60°	561.5



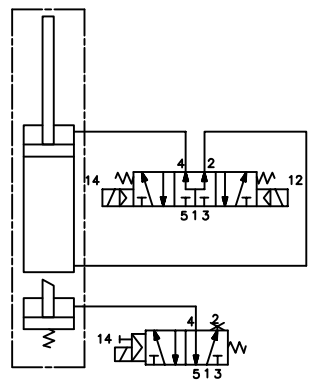
Size	Holding moment	Max. torque at the rotary table 0,55 MPa	Weight
80	4000 Nm	60 Nm	18 Kg

Min./Max. operating pressure: **0,4 / 0,6 MPa**  
 Operating temperature: **5° + 45° C**  
 Predetermine pivot rotation in degrees: **45° - 60°**  
 Electronic sensor with M12 swivel connector that can be orientated at 0° or 90°  
 Supply voltage: 10÷30 V DC  
 IP code: **IP 65**

\* : TOLERANCE BETWEEN DOWEL HOLES ± 0.02, TO SCREW HOLES ± 0.1



Passive brake



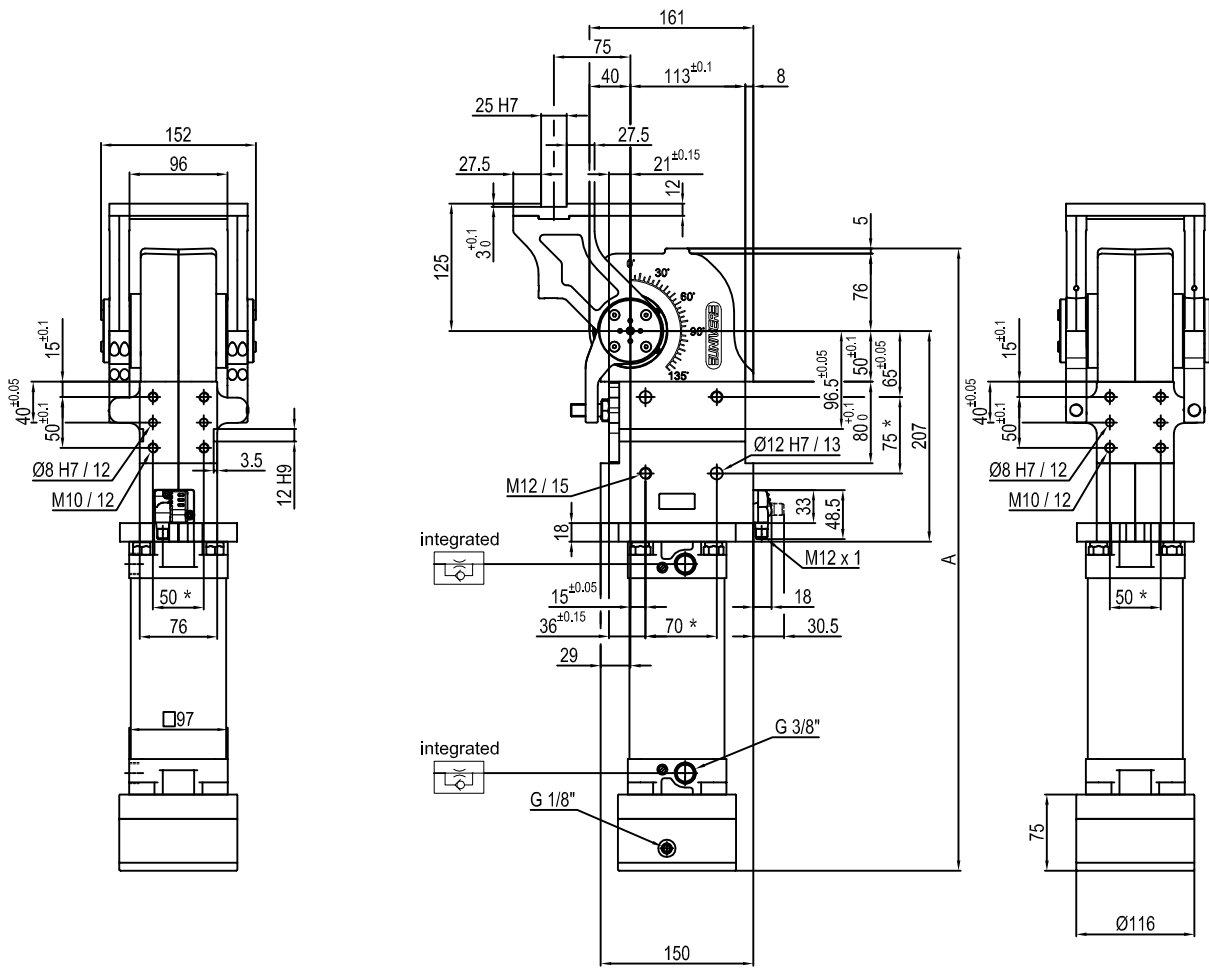
Pivot rotation in degrees	A
45°	550
60°	561.5
90°	586.5
120°	611.5

Size	Holding moment	Max. torque at the rotary table 0,55 MPa	Weight
80	4000 Nm	60 Nm	18 Kg

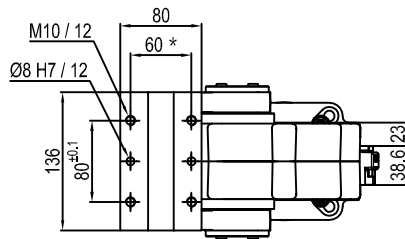
Min./Max. operating pressure: **0,4 / 0,6 MPa**  
 Operating temperature: **5° ÷ 45° C**  
 Predetermine pivot rotation in degrees: **45° - 60° - 90° - 120°**  
 Electronic sensor with M12 swivel connector that can be orientated at 0° or 90°  
 Supply voltage: 10÷30 V DC  
 IP code: **IP 65**

\* : TOLERANCE BETWEEN DOWEL HOLES ± 0.02, TO SCREW HOLES ± 0.1

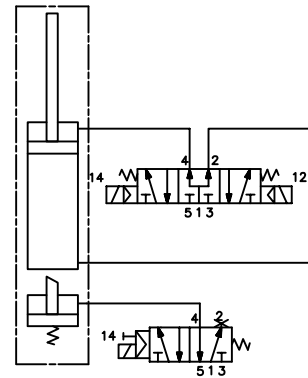




Pivot rotation in degrees	A
45°	550
60°	561.5
90°	586.5
120°	611.5



Passive brake



Size	Holding moment	Max. torque at the rotary table 0,55 MPa	Weight
80	4000 Nm	60 Nm	18 Kg

Min./Max. operating pressure: 0,4 / 0,6 MPa

Operating temperature: 5° + 45° C

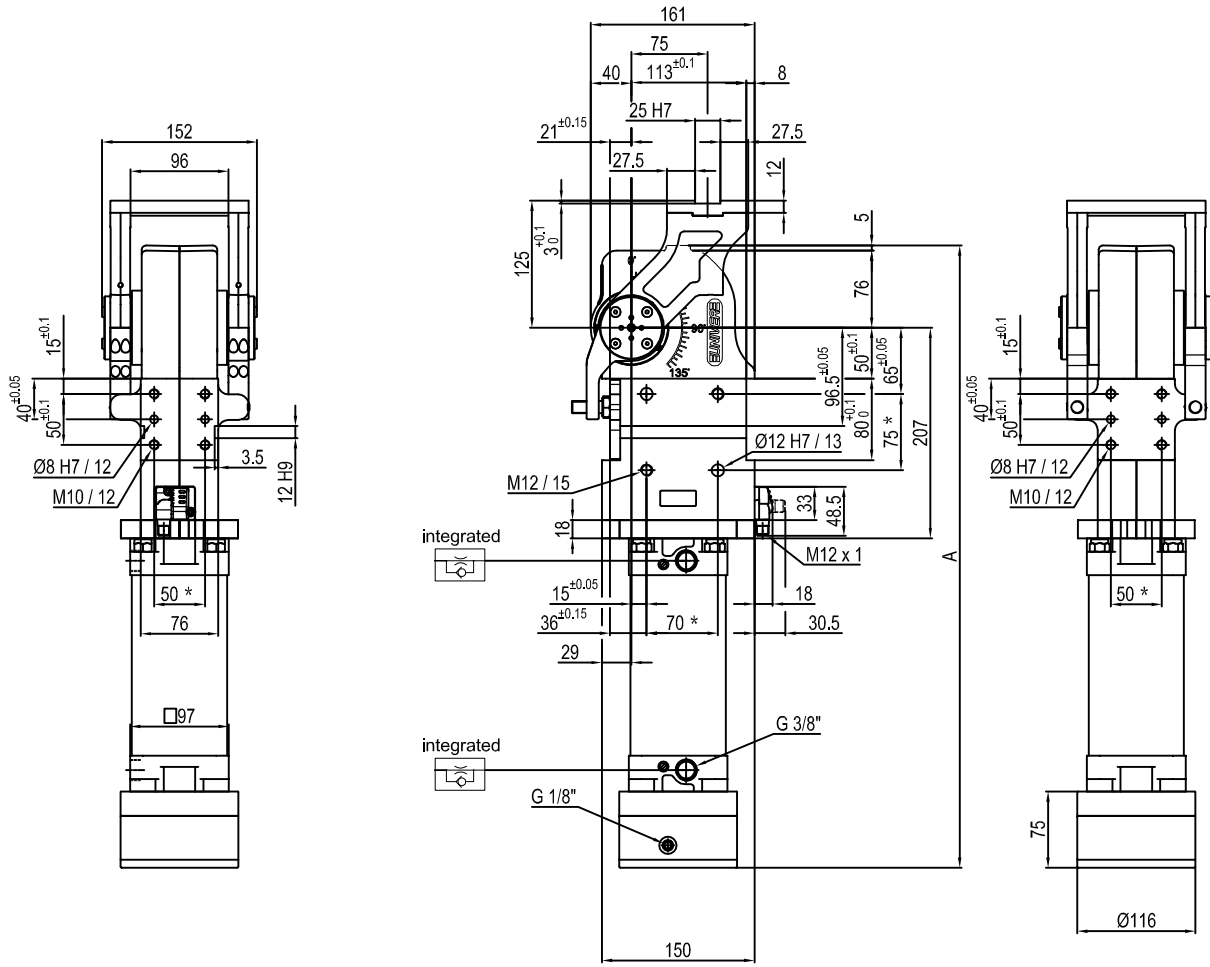
Predeterminate pivot rotation in degrees: 45° - 60° - 90° - 120°

Electronic sensor with M12 swivel connector that can be orientated at 0° or 90°

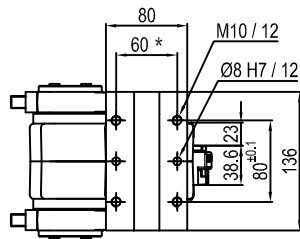
Supply voltage: 10÷30 V DC

IP code: IP 65

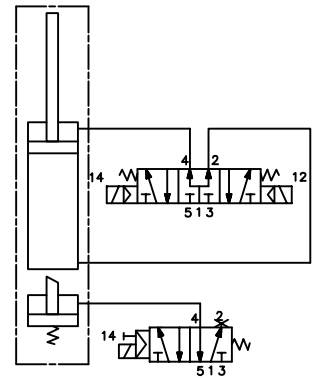
\* : TOLERANCE BETWEEN DOWEL HOLES ± 0.02, TO SCREW HOLES ± 0.1



Pivot rotation in degrees	A
45°	550
60°	561.5



Passive brake



Size	Holding moment	Max. torque at the rotary table 0,55 MPa	Weight
80	4000 Nm	60 Nm	18 Kg

Min./Max. operating pressure: **0,4 / 0,6 MPa**

Operating temperature: **5° + 45° C**

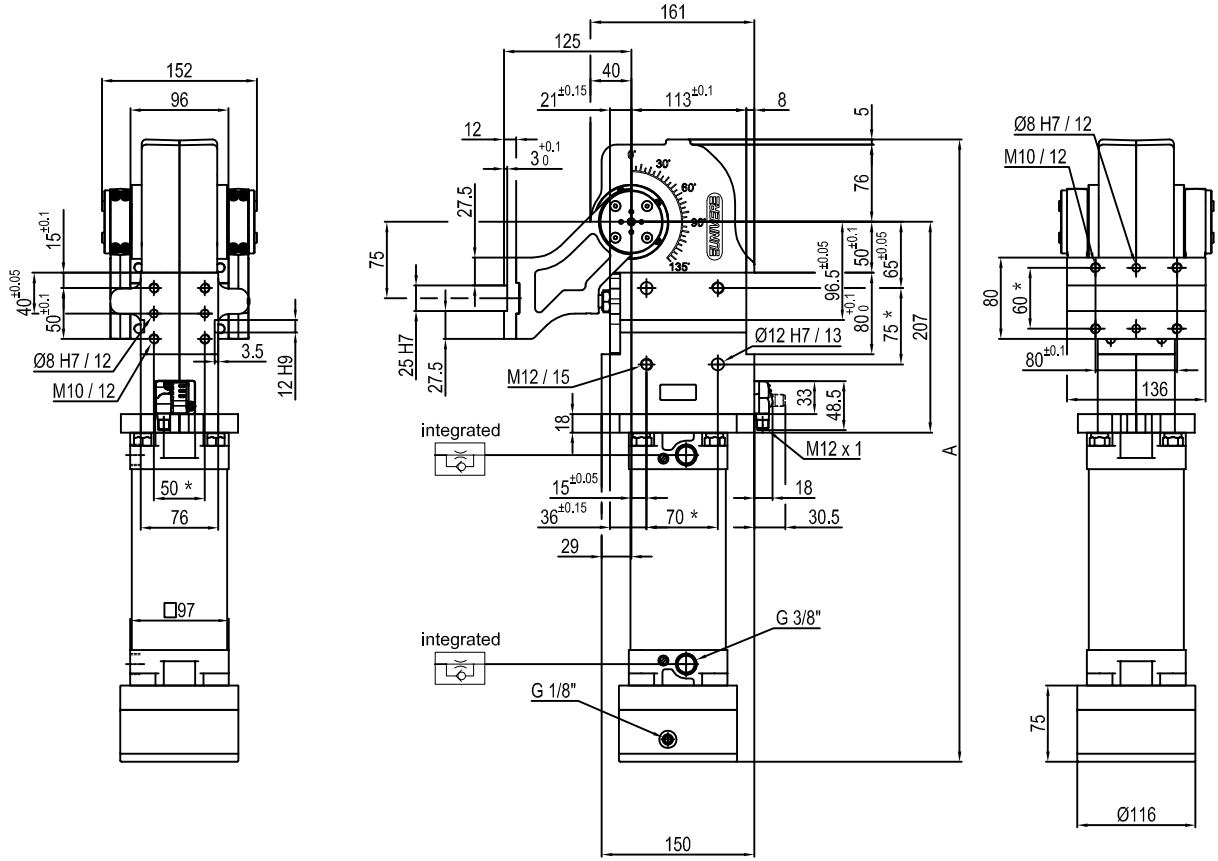
Predeterminate pivot rotation in degrees: **45° - 60°**

Electronic sensor with M12 swivel connector that can be orientated at 0° or 90°

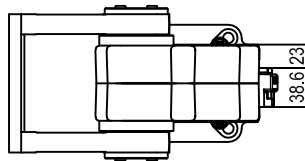
Supply voltage: 10÷30 V DC

IP code: **IP 65**

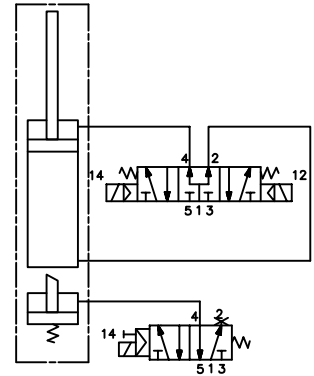
\* : TOLERANCE BETWEEN DOWEL HOLES ± 0.02, TO SCREW HOLES ± 0.1



Pivot rotation in degrees	A
45°	550
60°	561.5
90°	586.5
120°	611.5



Passive brake



Size	Holding moment	Max. torque at the rotary table 0,55 MPa	Weight
80	4000 Nm	60 Nm	18 Kg

Min./Max. operating pressure: **0,4 / 0,6 MPa**

Operating temperature: **5° + 45° C**

Predeterminate pivot rotation in degrees: **45° - 60° - 90° - 120°**

Electronic sensor with M12 swivel connector that can be orientated at 0° or 90°

Supply voltage: 10÷30 V DC

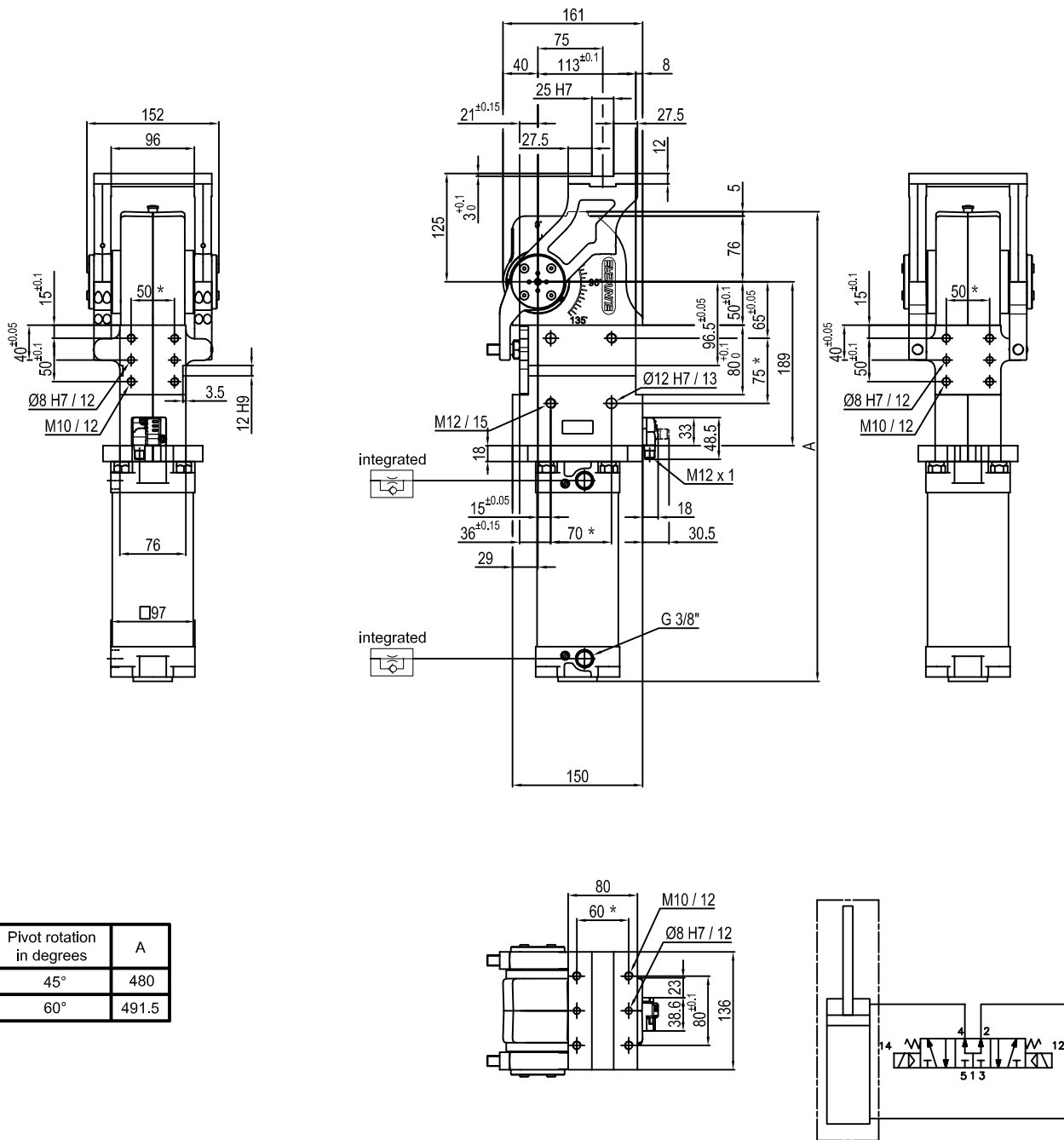
IP code: **IP 65**

\* : TOLERANCE BETWEEN DOWEL HOLES ± 0.02, TO SCREW HOLES ± 0.1









Pivot rotation in degrees	A
45°	480
60°	491.5

Size	Holding moment	Max. torque at the rotary table 0,55 MPa	Weight
80	4000 Nm	60 Nm	15 Kg

Min./Max. operating pressure: **0,4 / 0,6 MPa**

Operating temperature: **5° + 45° C**

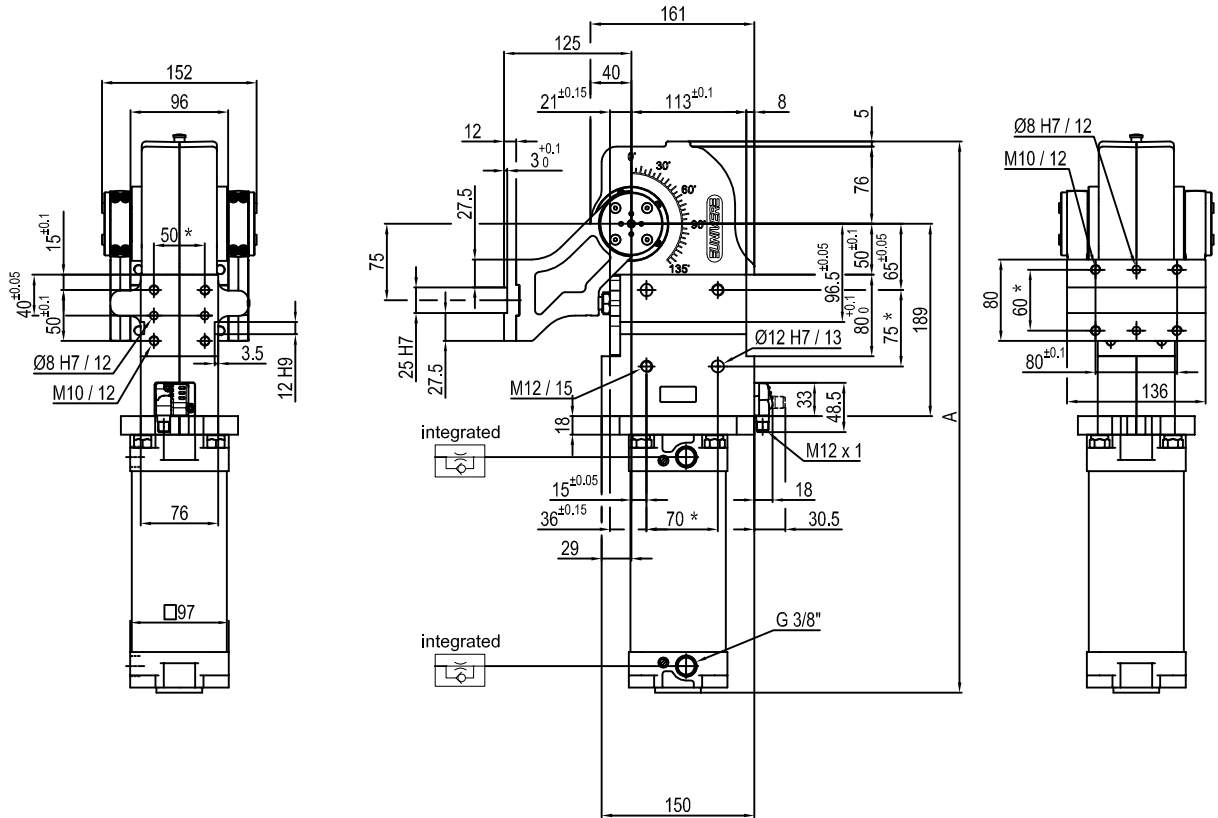
Predeterminate pivot rotation in degrees: **45° - 60°**

Electronic sensor with M12 swivel connector that can be orientated at 0° or 90°

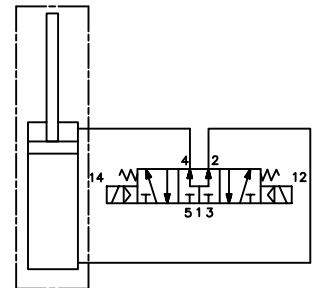
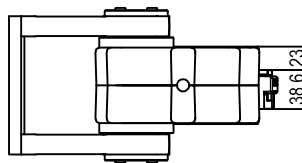
Supply voltage: 10÷30 V DC

IP code: **IP 65**

\* : TOLERANCE BETWEEN DOWEL HOLES ± 0.02, TO SCREW HOLES ± 0.1



Pivot rotation in degrees	A
45°	480
60°	491.5
90°	516.5
120°	541.5



Size	Holding moment	Max. torque at the rotary table 0,55 MPa	Weight
80	4000 Nm	60 Nm	15 Kg

Min./Max. operating pressure: **0,4 / 0,6 MPa**

Operating temperature: **5° + 45° C**

Predeterminate pivot rotation in degrees: **45° - 60° - 90° - 120°**

Electronic sensor with M12 swivel connector that can be orientated at 0° or 90°

Supply voltage: 10÷30 V DC

IP code: **IP 65**

\* : TOLERANCE BETWEEN DOWEL HOLES ± 0.02, TO SCREW HOLES ± 0.1

