

# LAGP120

Pneumatic power pivot



L	A	G	P	1	2	0	V	E	0	9	0	B	C	
1	2	3	4	5	6	7	8	9						

<b>1 Series</b>	<b>2 Version</b>	<b>3 Size</b>
-----------------	------------------	---------------

**LAG** = Power pivot with predeterminate pivot rotation angles

**P** = Pneumatic-standard

**120** = 110 Nm Ø100 mm

<b>4 Table position</b>	<b>5 Sensor</b>	<b>6 Pivot rotation angles</b>
-------------------------	-----------------	--------------------------------

**V** = Vertical 180°  
**O** = Horizontal 90°  
**Z** = Vertical, mirror of V position  
**P** = Horizontal, mirror of O position (Max opening angle 60°)

**E** = Electronic sensor with M12 swivel connector (DF-U)  
**A** = Electronic sensor with M12 swivel connector + electronic sensor for brake condition detection (2x DF-U)

**120** = 120°  
**090** = 90°  
**060** = 60°  
**045** = 45°

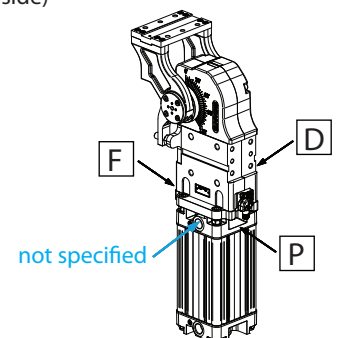
<b>7 Brake system</b>	<b>8 Valve</b>	<b>9 Connections</b>
-----------------------	----------------	----------------------

**B** = With brake  
**W** = Without brake

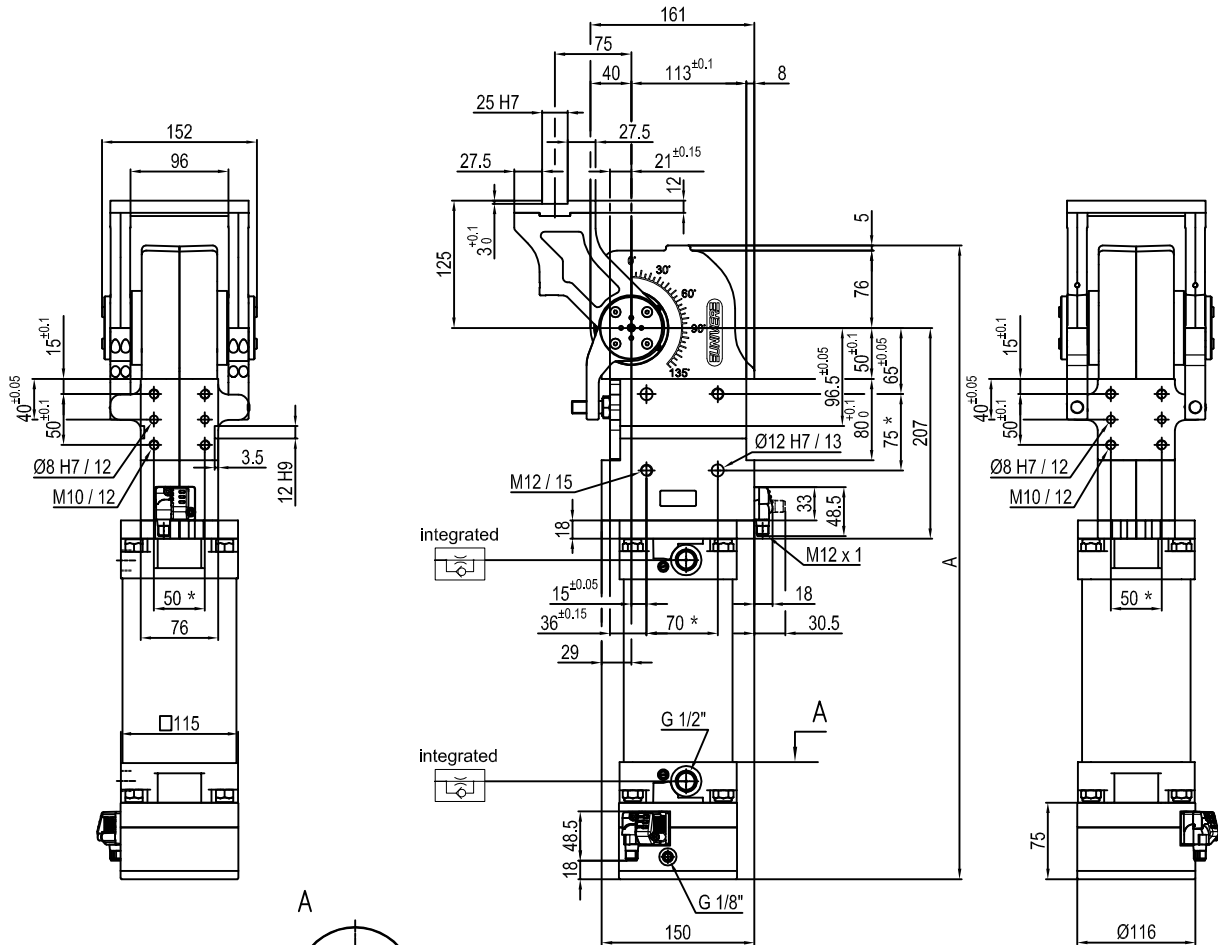
**C** = Integrated valve for cycle time optimization

**D** = Right side (sensor right side)  
**F** = Front side (in front of the sensor)  
**P** = Rear side (same side as sensor)

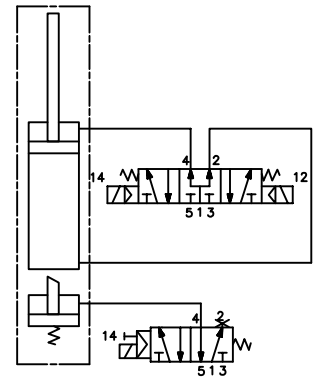
If not specified, on the left side (sensor left side)



UNIVER SpA recommends that all power pivot applications are validated by UNIVER technical department



Passive brake



Pivot rotation in degrees	A
45°	561
60°	572.5
90°	597.5
120°	622.5

Size	Holding moment	Max. torque at the rotary table 0,55 MPa	Weight
120	4000 Nm	110 Nm	19 Kg

Min./Max. operating pressure: 0,4 / 0,6 MPa

Operating temperature: 5° + 45° C

Predetermine pivot rotation in degrees: 45° - 60° - 90° - 120°

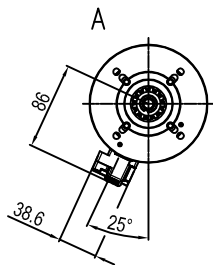
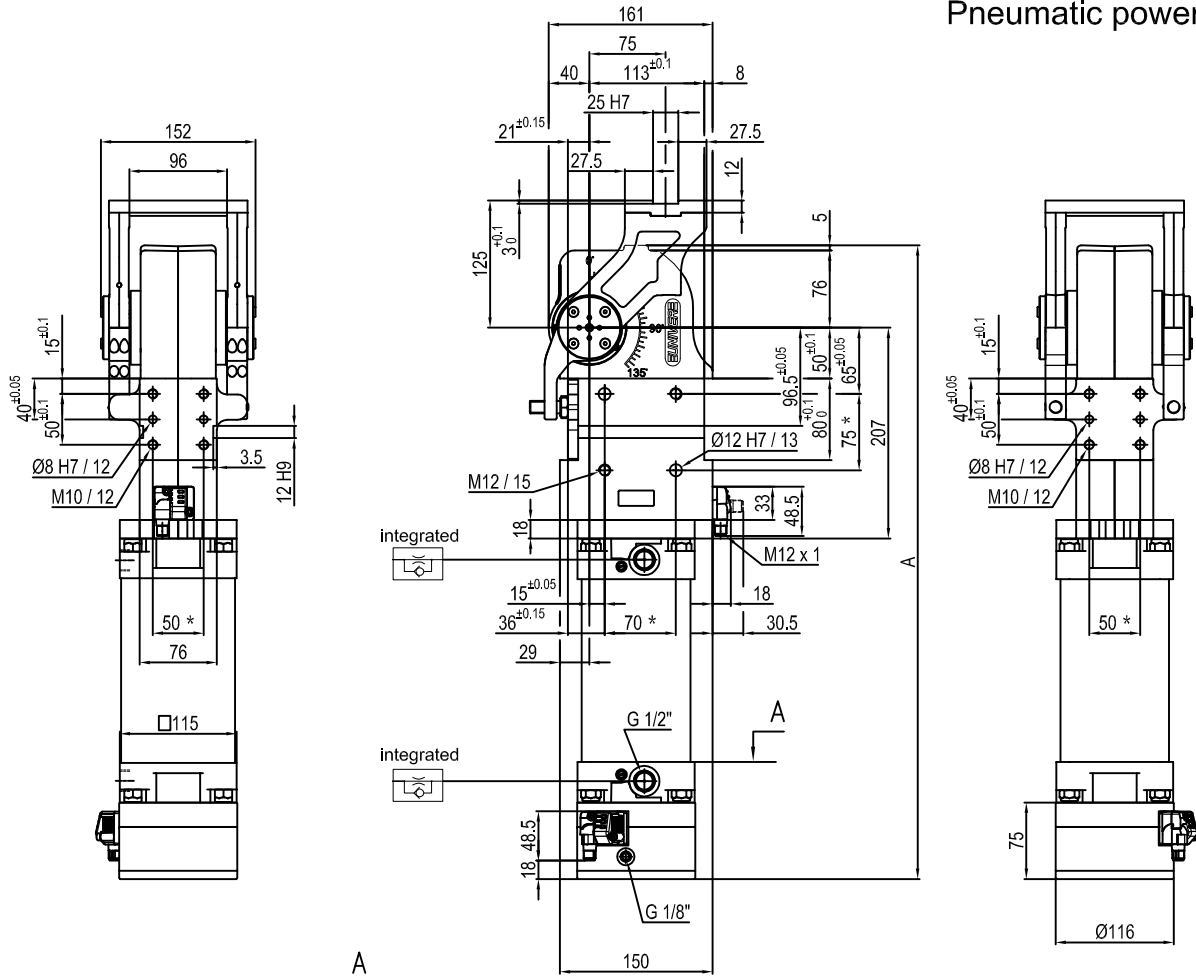
Electronic sensor with M12 swivel connector that can be orientated at 0° or 90°

Supply voltage: 10+30 V DC

IP code: IP 65

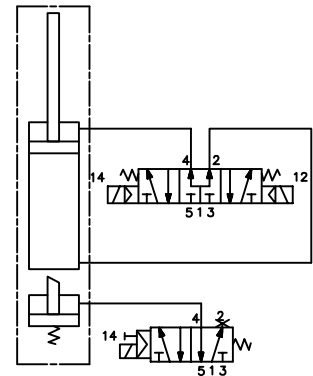
\* : TOLERANCE BETWEEN DOWEL HOLES ± 0.02, TO SCREW HOLES ± 0.1

## Pneumatic power pivot



Pivot rotation in degrees	A
45°	561
60°	572.5

## Passive brake



Size	Holding moment	Max. torque at the rotary table 0,55 MPa	Weight
120	4000 Nm	110 Nm	19 Kg

Min./Max. operating pressure: **0,4 / 0,6 MPa**

Operating temperature: **5° + 45° C**

Predetermine pivot rotation in degrees: **45° - 60°**

Electronic sensor with M12 swivel connector that can be orientated at 0° or 90°

Supply voltage: 10÷30 V DC

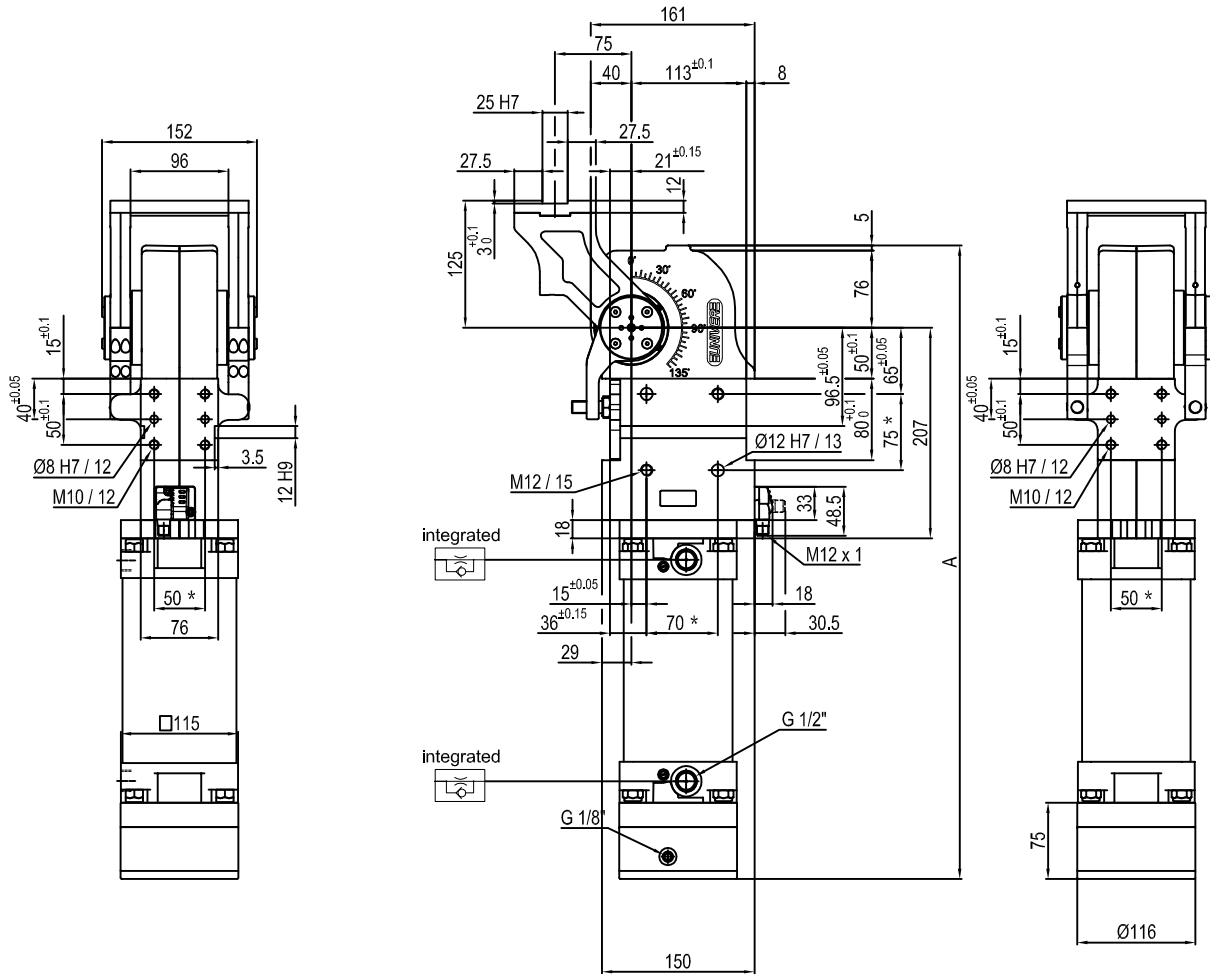
IP code: **IP 65**

\* : TOLERANCE BETWEEN DOWEL HOLES ± 0.02, TO SCREW HOLES ± 0.1

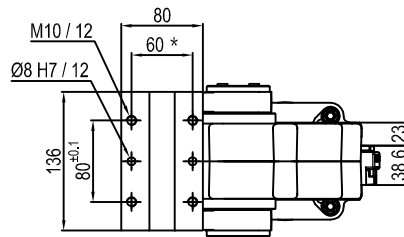
Subject to technical modifications without notice.



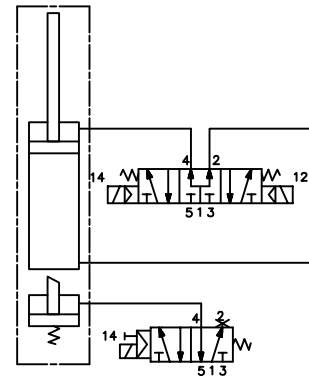




Pivot rotation in degrees	A
45°	561
60°	572.5
90°	597.5
120°	622.5



Passive brake



Size	Holding moment	Max. torque at the rotary table 0,55 MPa	Weight
120	4000 Nm	110 Nm	19 Kg

Min./Max. operating pressure: **0,4 / 0,6 MPa**

Operating temperature: **5° + 45° C**

Predetermine pivot rotation in degrees: **45° - 60° - 90° - 120°**

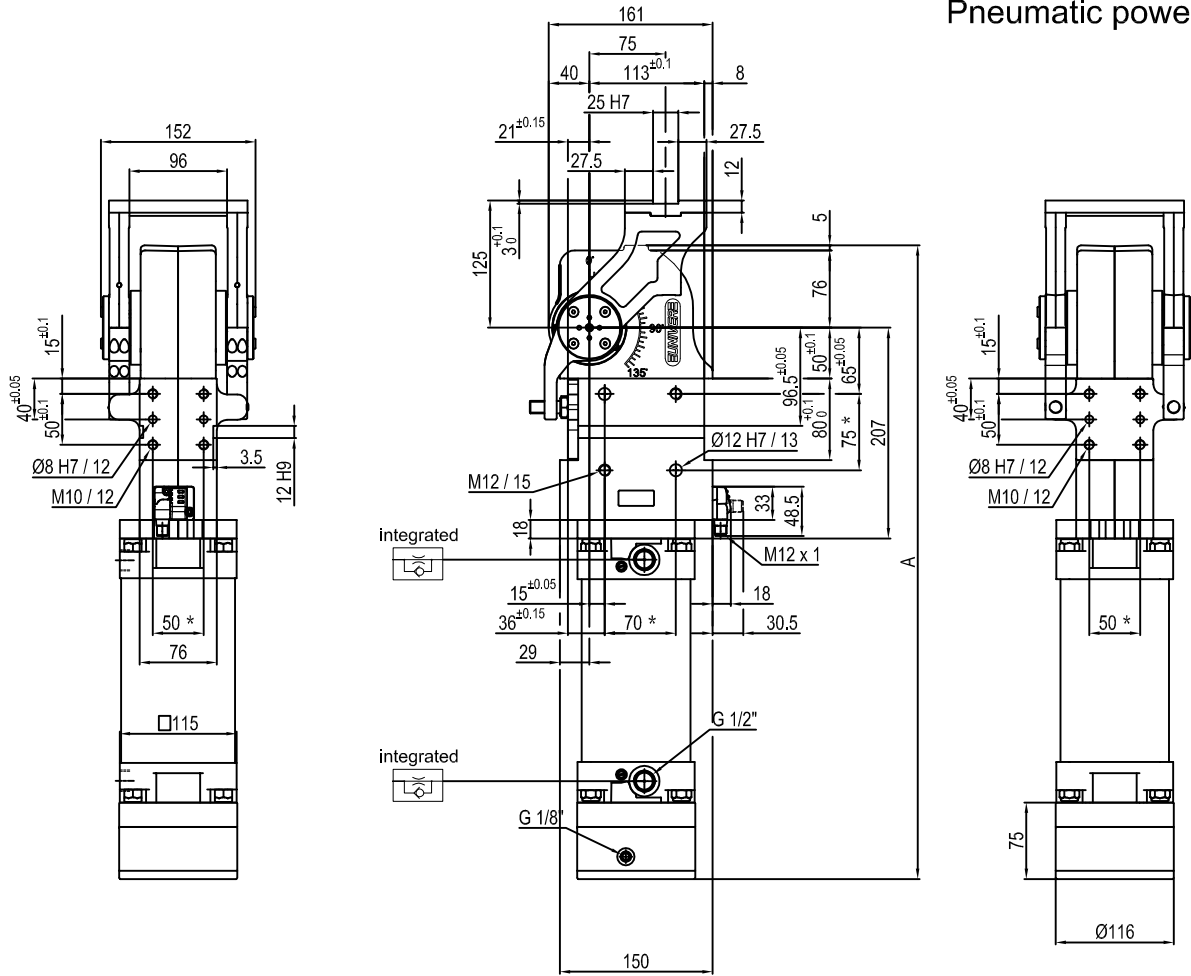
Electronic sensor with M12 swivel connector that can be orientated at 0° or 90°

Supply voltage: 10÷30 V DC

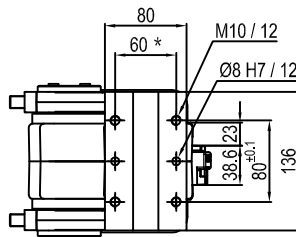
IP code: **IP 65**

\* : TOLERANCE BETWEEN DOWEL HOLES ± 0.02, TO SCREW HOLES ± 0.1

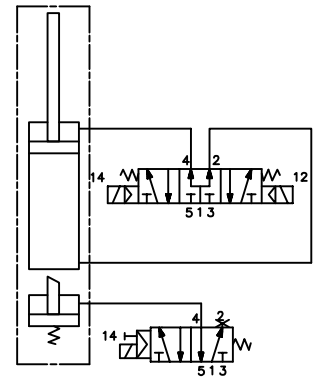
## Pneumatic power pivot



Pivot rotation in degrees	A
45°	561
60°	572.5



## Passive brake



Size	Holding moment	Max. torque at the rotary table 0,55 MPa	Weight
120	4000 Nm	110 Nm	19 Kg

Min./Max. operating pressure: **0,4 / 0,6 MPa**

Operating temperature: **5° + 45° C**

Predetermine pivot rotation in degrees: **45° - 60°**

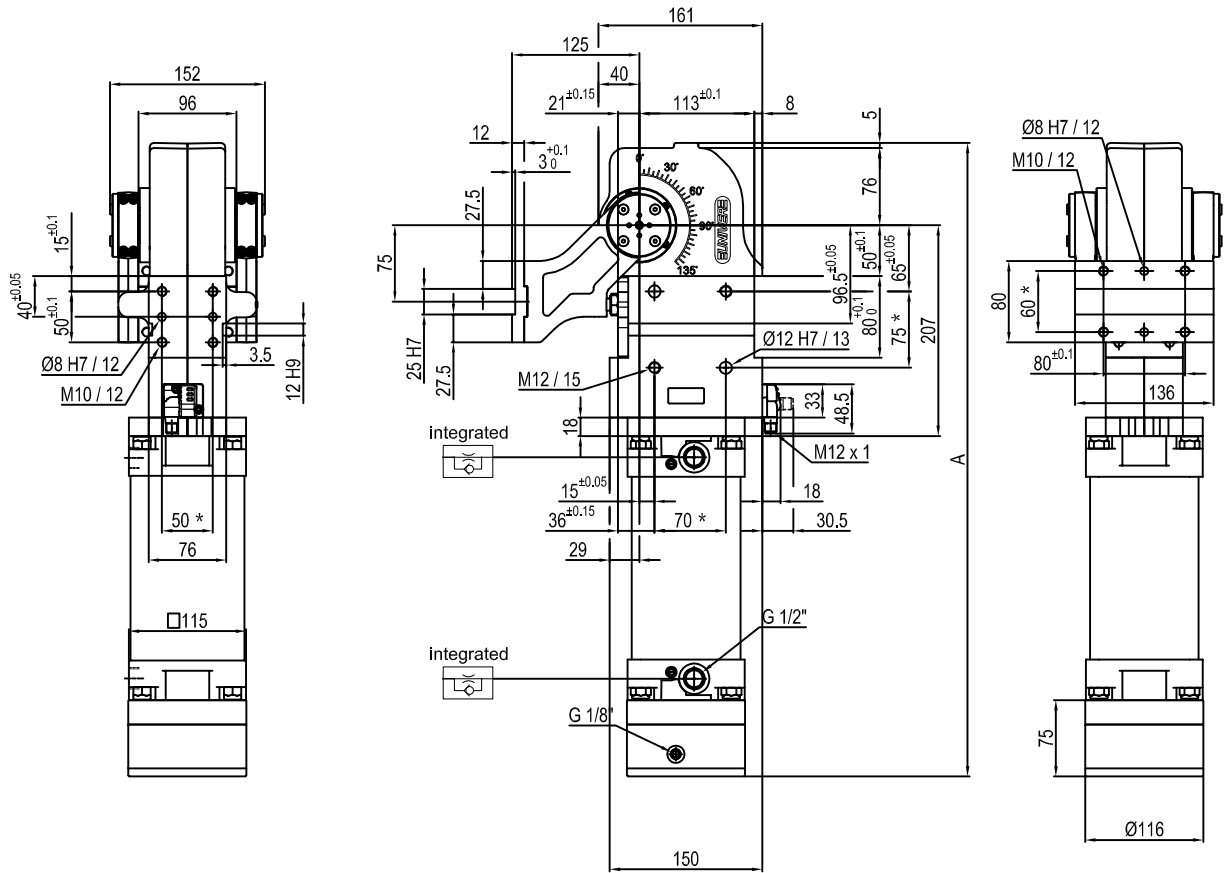
Electronic sensor with M12 swivel connector that can be orientated at 0° or 90°

Supply voltage: 10÷30 V DC

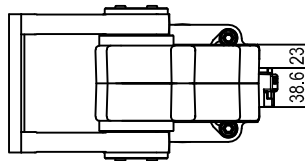
IP code: **IP 65**

\* : TOLERANCE BETWEEN DOWEL HOLES ± 0.02, TO SCREW HOLES ± 0.1

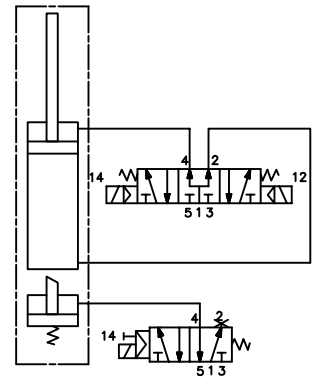
Subject to technical modifications without notice.



Pivot rotation in degrees	A
45°	561
60°	572.5
90°	597.5
120°	622.5



Passive brake



Size	Holding moment	Max. torque at the rotary table 0,55 MPa	Weight
120	4000 Nm	110 Nm	19 Kg

Min./Max. operating pressure: 0,4 / 0,6 MPa

Operating temperature: 5° + 45° C

Predetermine pivot rotation in degrees: 45° - 60° - 90° - 120°

Electronic sensor with M12 swivel connector that can be orientated at 0° or 90°

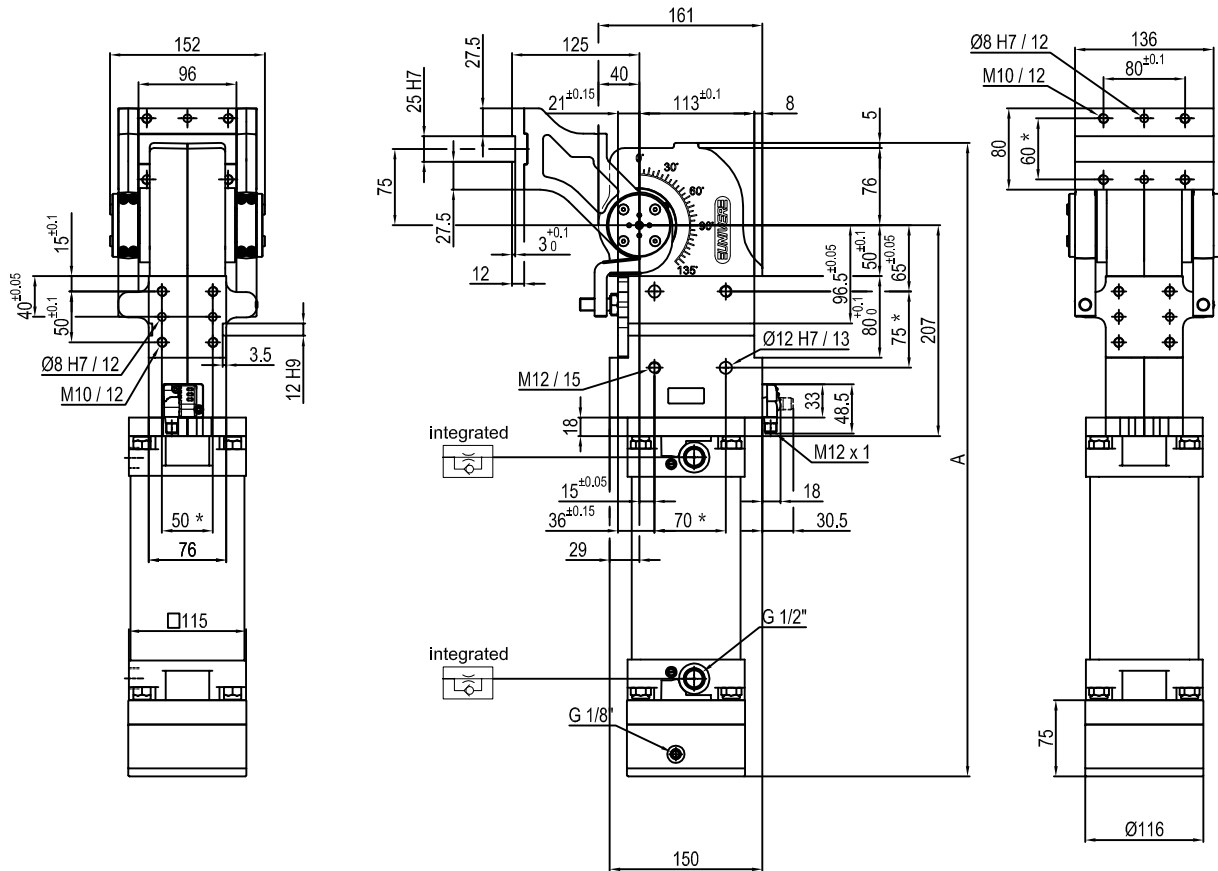
Supply voltage: 10÷30 V DC

IP code: IP 65

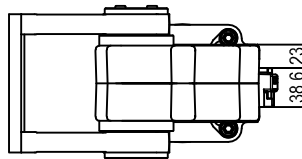
\* : TOLERANCE BETWEEN DOWEL HOLES ± 0.02, TO SCREW HOLES ± 0.1



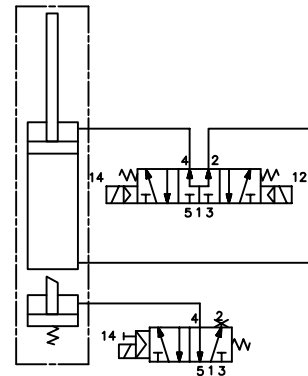
## Pneumatic power pivot



Pivot rotation in degrees	A
45°	561
60°	572.5
90°	597.5
120°	622.5



### Passive brake



Size	Holding moment	Max. torque at the rotary table 0,55 MPa	Weight
120	4000 Nm	110 Nm	19 Kg

Min./Max. operating pressure: 0,4 / 0,6 MPa

Operating temperature: 5° + 45° C

Predetermine pivot rotation in degrees: 45° - 60° - 90° - 120°

Electronic sensor with M12 swivel connector that can be orientated at 0° or 90°

Supply voltage: 10÷30 V DC

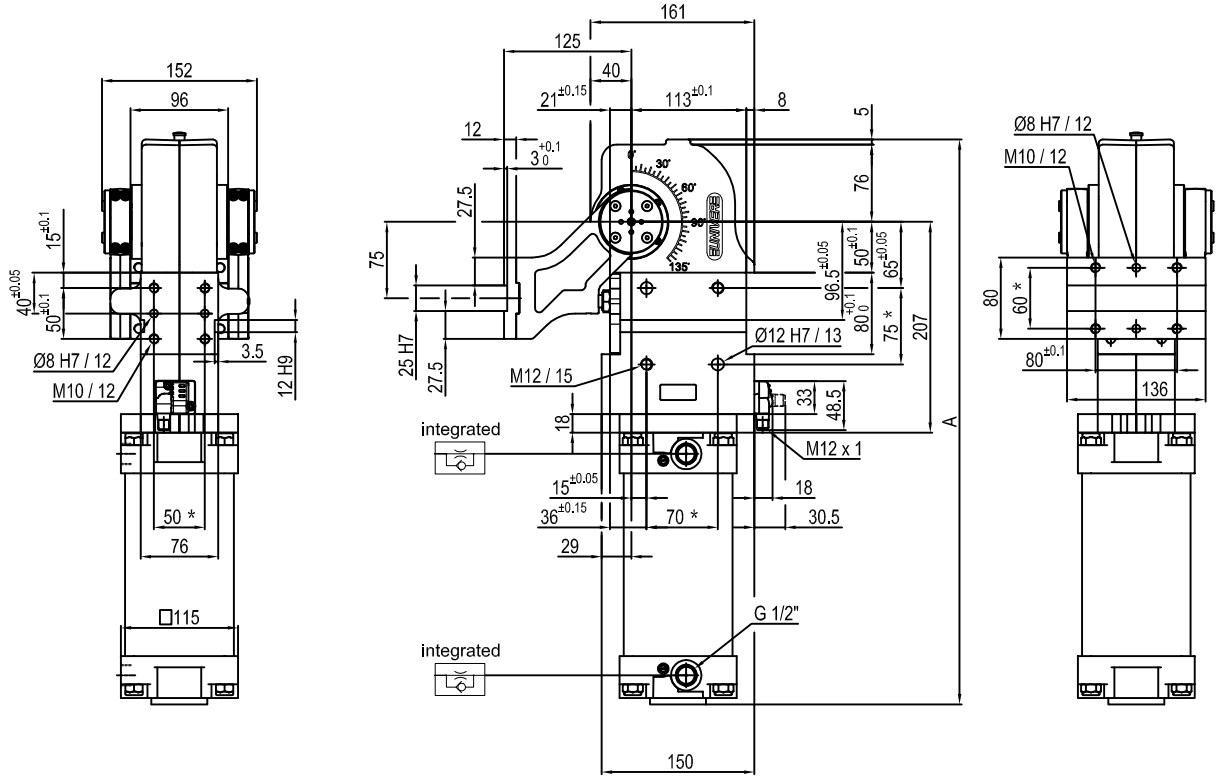
IP code: IP 65

\* : TOLERANCE BETWEEN DOWEL HOLES ± 0.02, TO SCREW HOLES ± 0.1

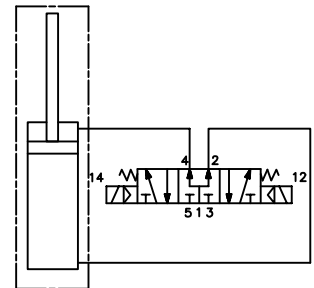
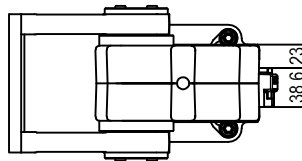
Subject to technical modifications without notice.







Pivot rotation in degrees	A
45°	492
60°	503.5
90°	528.5
120°	553.5



Size	Holding moment	Max. torque at the rotary table 0,55 MPa	Weight
120	4000 Nm	110 Nm	16.7 Kg

Min./Max. operating pressure: **0,4 / 0,6 MPa**

Operating temperature: **5° + 45° C**

Predeterminate pivot rotation in degrees: **45° - 60° - 90° - 120°**

Electronic sensor with M12 swivel connector that can be orientated at 0° or 90°

Supply voltage: 10÷30 V DC

IP code: **IP 65**

\* : TOLERANCE BETWEEN DOWEL HOLES ± 0.02, TO SCREW HOLES ± 0.1

