

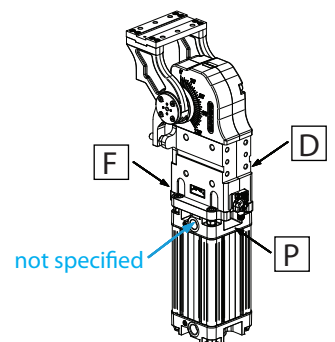
LAGP350

Pneumatic power pivot



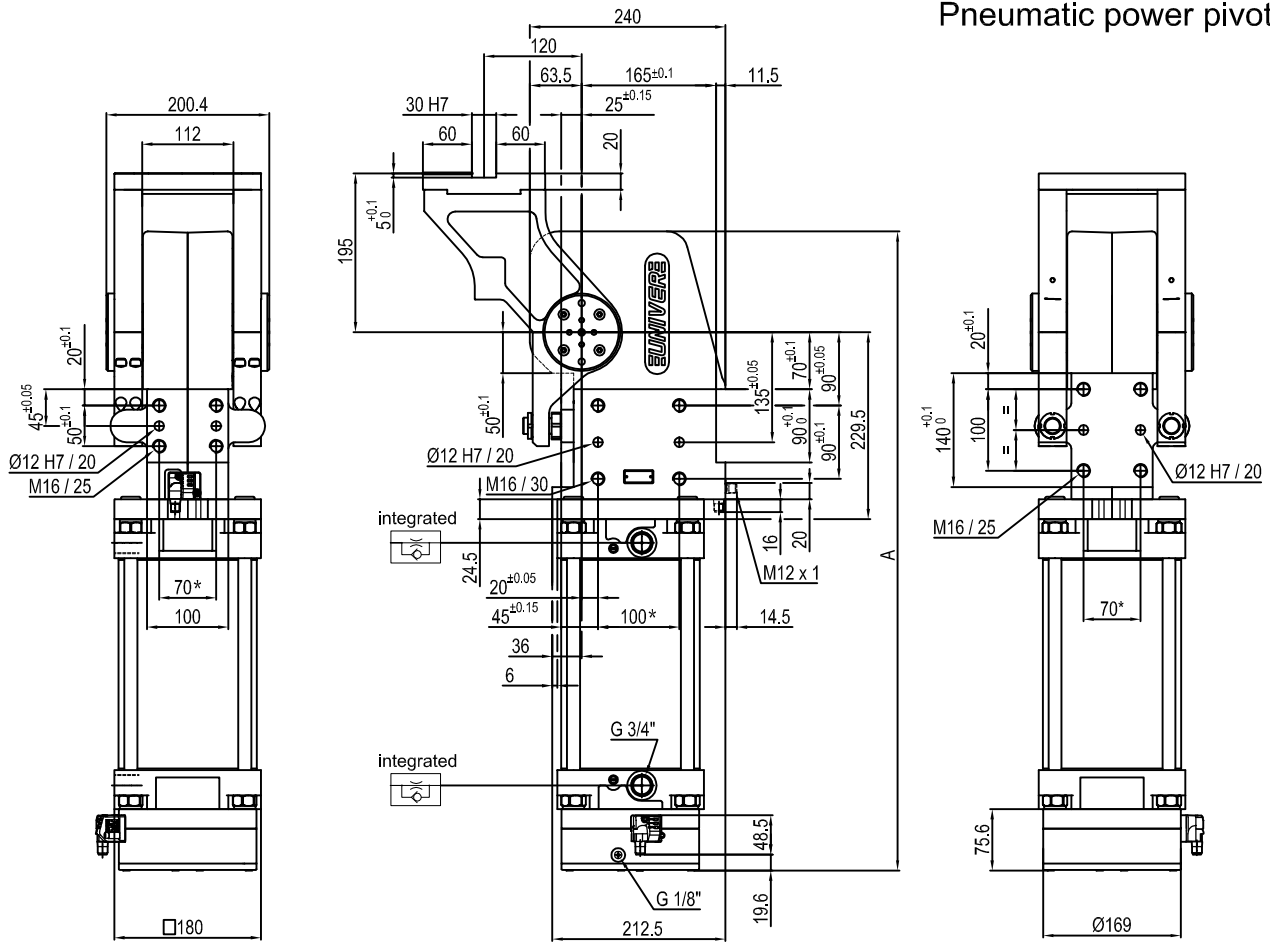
L	A	G	P	3	5	0	V	E	0	9	0	B	C	
1	2	3	4	5	6	7	8	9						

1 Series LAG = Power pivot with predeterminate pivot rotation angles	2 Version P = Pneumatic-standard	3 Size 350 = 350 Nm Ø160 mm
4 Table position V = Vertical 180° O = Horizontal 90° Z = Vertical, mirror of V position P = Horizontal, mirror of O position (Max opening angle 60°)	5 Sensor E = Electronic sensor with M12 swivel connector (DF-U) A = Electronic sensor with M12 swivel connector + electronic sensor for brake condition detection (2x DF-U)	6 Pivot rotation angles 120 = 120° 090 = 90° 060 = 60° 045 = 45°
7 Brake system B = With brake W = Without brake	8 Valve C = Integrated valve for cycle time optimization	9 Connections D = Right side (sensor right side) F = Front side (in front of the sensor) P = Rear side (same side as sensor) If not specified, on the left side (sensor left side)

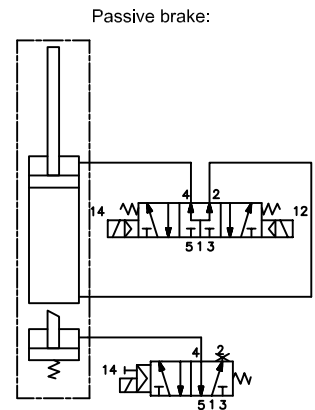
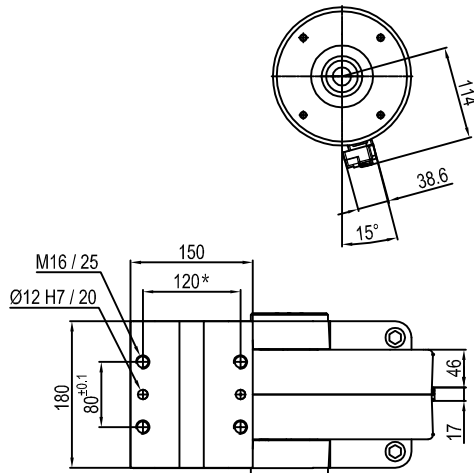


UNIVER SpA recommends that all power pivot applications are validated by UNIVER technical department

Pneumatic power pivot



Pivot rotation in degrees	A
45°	691
60°	707
90°	744
120°	784



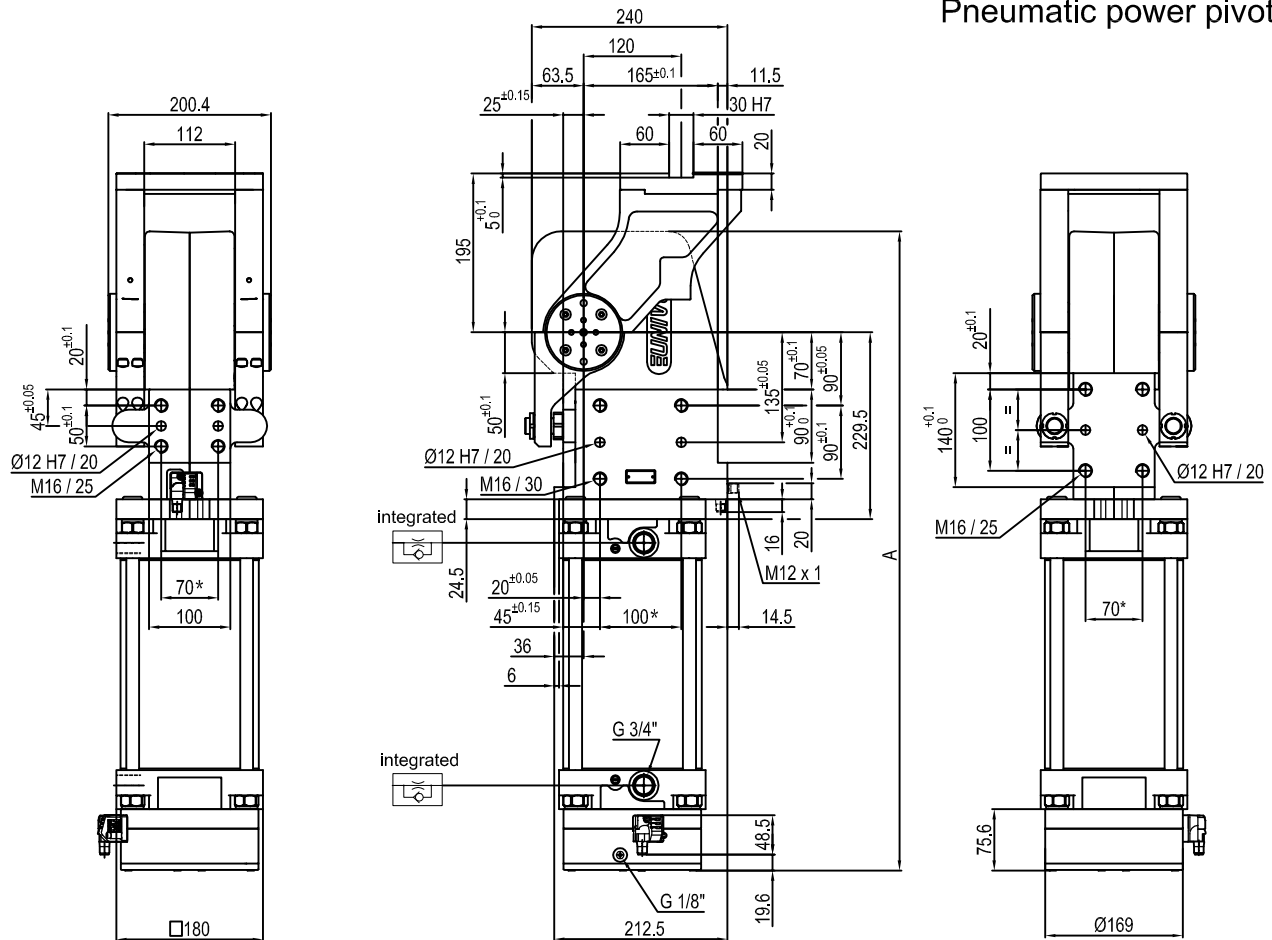
Size	Holding moment	Max. torque at the rotary table 0,55 MPa	Weight
350	8000 Nm	350 Nm	55 Kg

Min./Max. operating pressure: **0,4 / 0,6 MPa**
 Operating temperature: **5° + 45° C**
 Predetermine pivot rotation in degrees: **45° - 60° - 90° - 120°**
 Electronic sensor with M12 swivel connector that can be orientated at 0° or 90°
 Supply voltage: 10+30 V DC
 IP code: **IP 65**

* : TOLERANCE BETWEEN DOWEL HOLES ± 0,02, TO SCREW HOLES ± 0,1

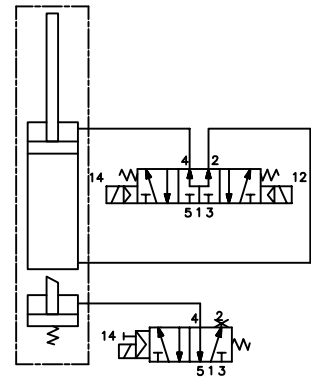
Subject to technical modifications without notice.

Pneumatic power pivot



Pivot rotation in degrees	A
45°	691
60°	707

Passive brake:



Size	Holding moment	Max. torque at the rotary table 0,55 MPa	Weight
350	8000 Nm	350 Nm	55 Kg

Min./Max. operating pressure: 0,4 / 0,6 MPa

Operating temperature: 5° + 45° C

Predetermine pivot rotation in degrees: 45° - 60°

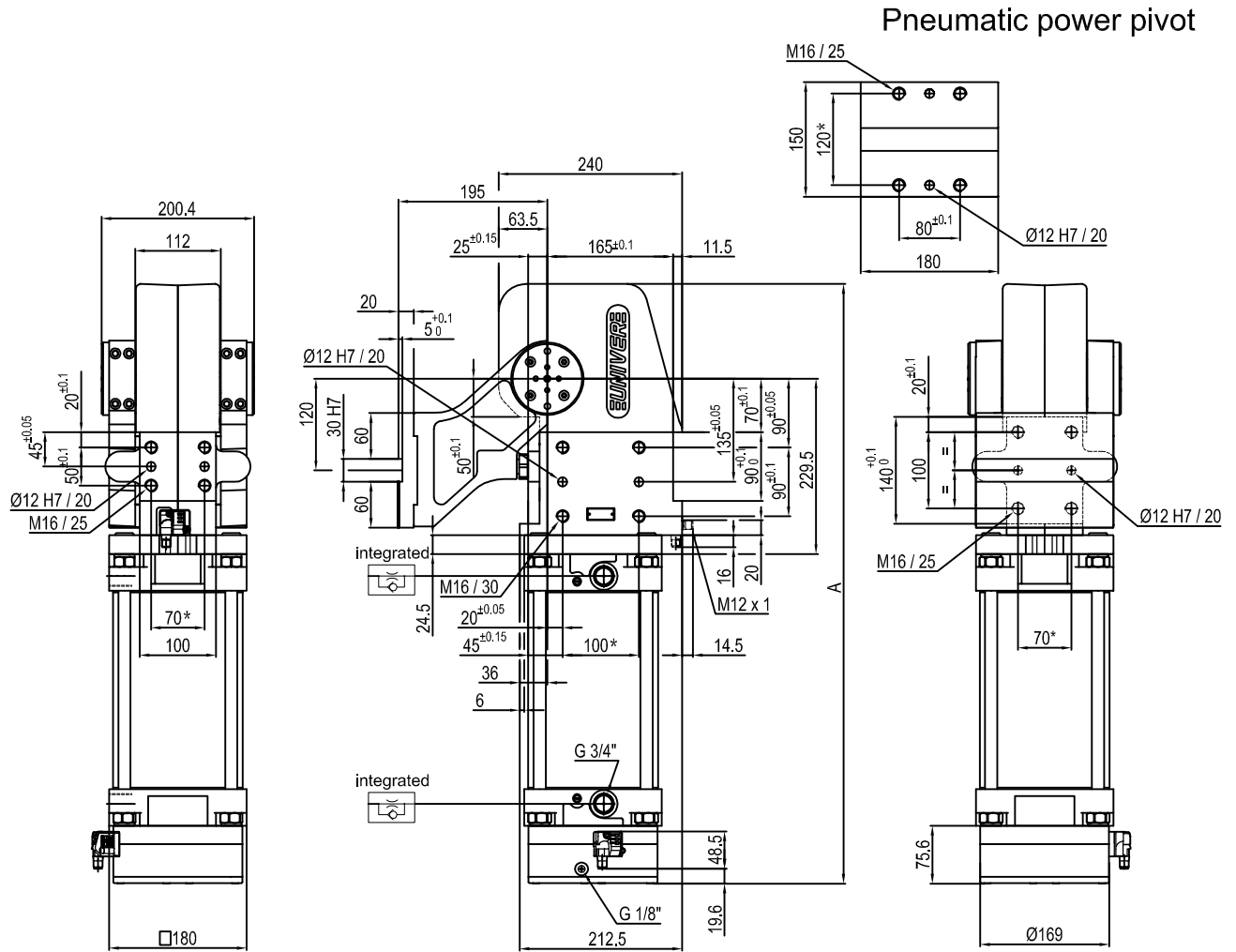
Electronic sensor with M12 swivel connector that can be orientated at 0° or 90°

Supply voltage: 10÷30 V DC

IP code: IP 65

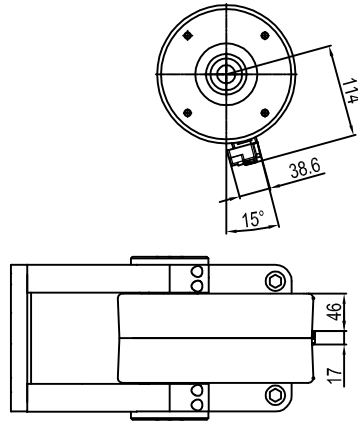
* : TOLERANCE BETWEEN DOWEL HOLES ± 0.02, TO SCREW HOLES ± 0.1

Subject to technical modifications without notice.

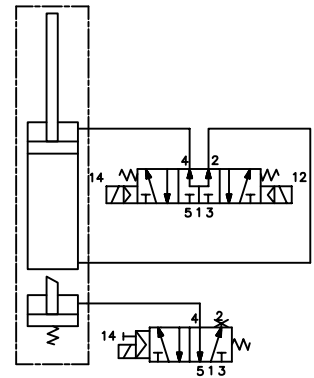


Pneumatic power pivot

Pivot rotation in degrees	A
45°	691
60°	707
90°	744
120°	784



Passive brake



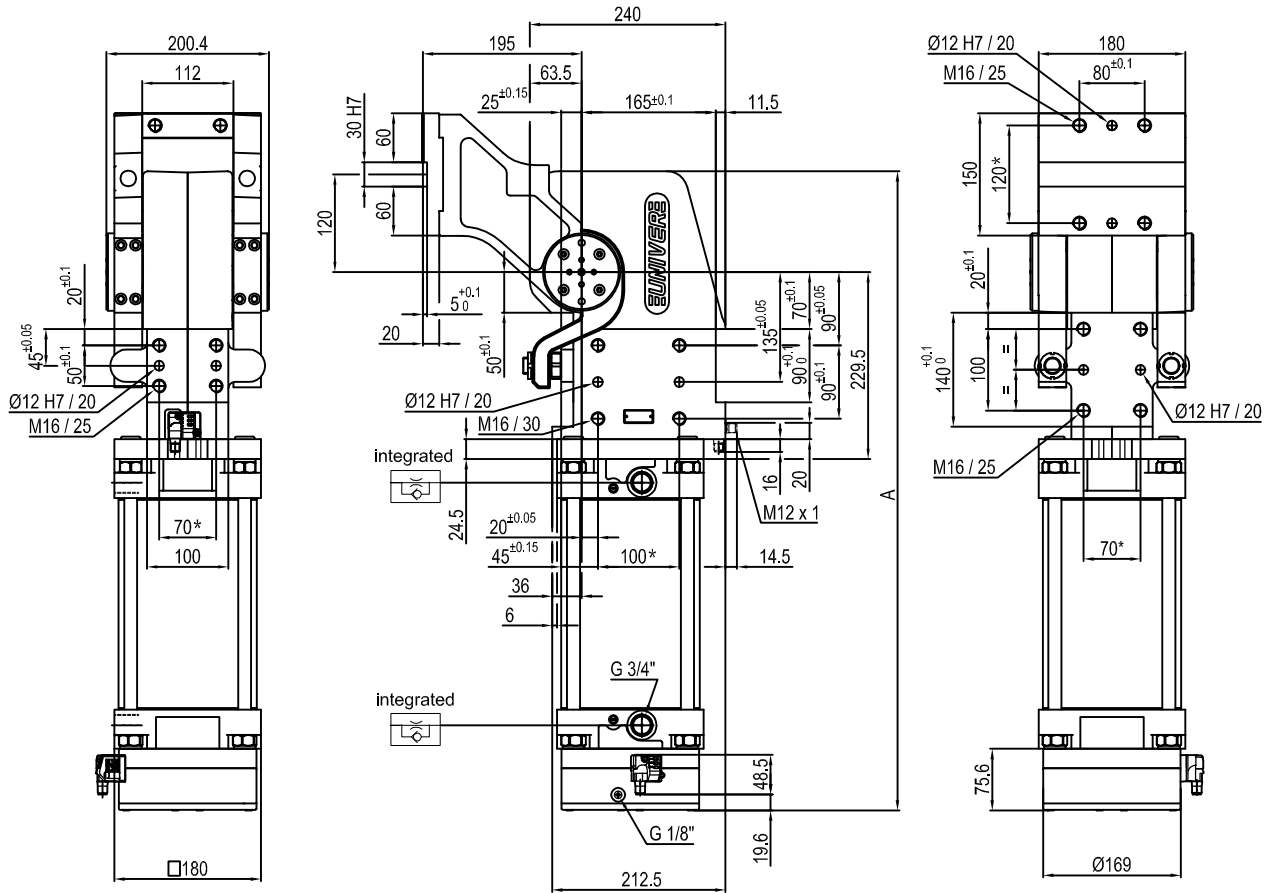
Size	Holding moment	Max. torque at the rotary table 0,55 MPa	Weight
350	8000 Nm	350 Nm	55 Kg

Min./Max. operating pressure: **0,4 / 0,6 MPa**
 Operating temperature: **5° + 45° C**
 Predetermine pivot rotation in degrees: **45° - 60° - 90° - 120°**
 Electronic sensor with M12 swivel connector that can be orientated at 0° or 90°
 Supply voltage: 10+30 V DC
 IP code: **IP 65**

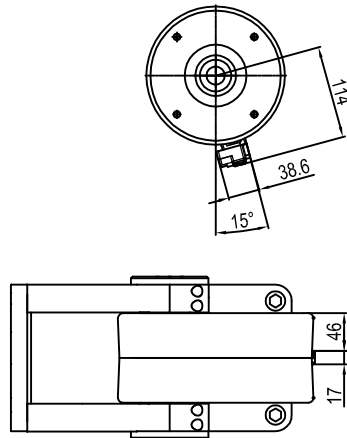
* : TOLERANCE BETWEEN DOWEL HOLES ± 0,02, TO SCREW HOLES ± 0,1

Subject to technical modifications without notice.

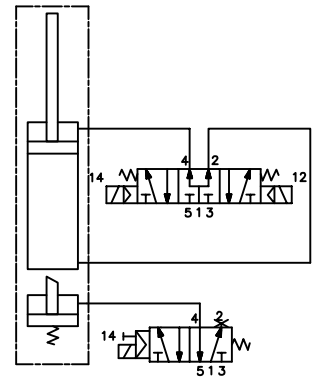
Pneumatic power pivot



Pivot rotation in degrees	A
45°	691
60°	707
90°	744
120°	784



Passive brake:



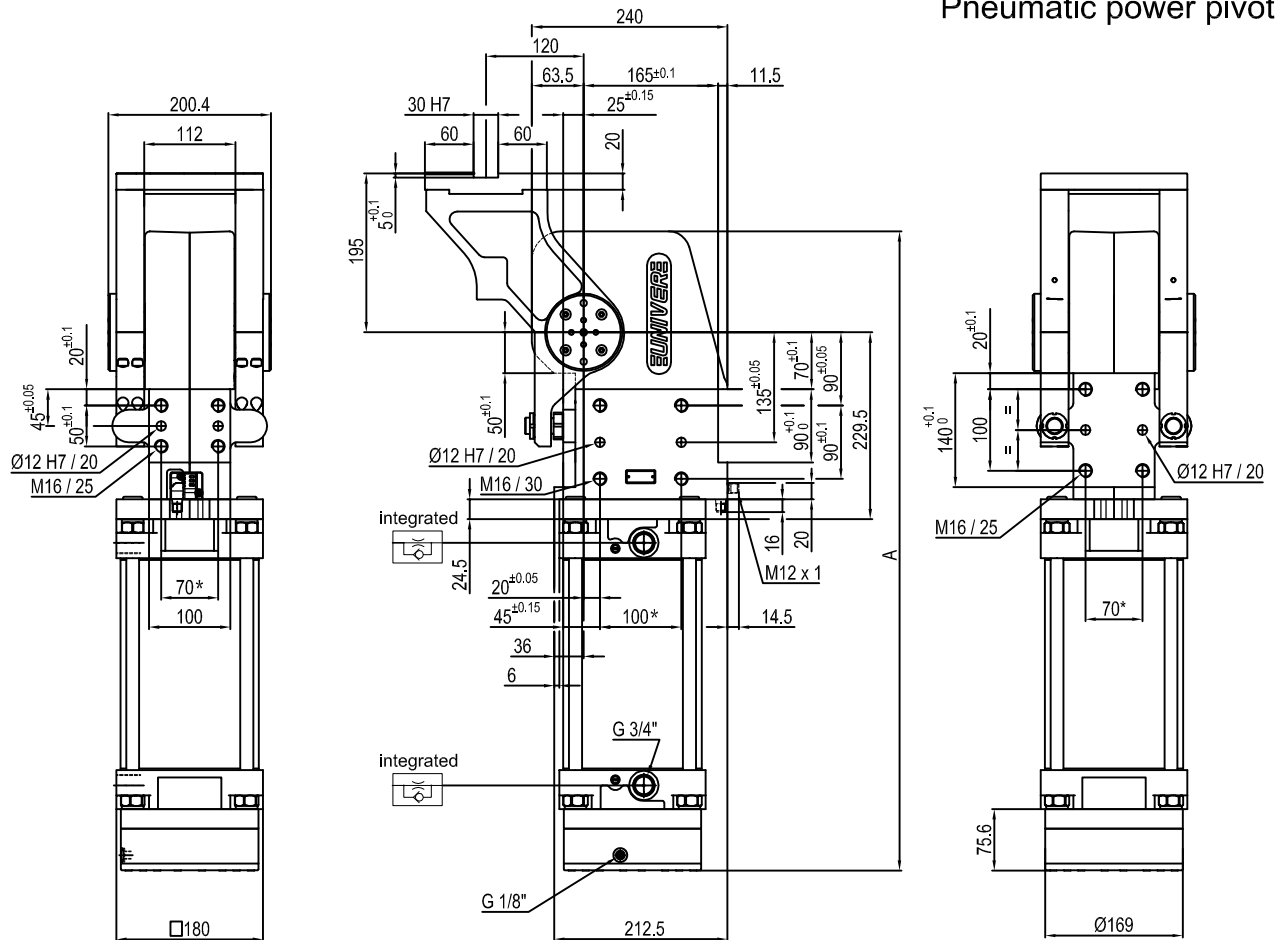
Size	Holding moment	Max. torque at the rotary table 0,55 MPa	Weight
350	8000 Nm	350 Nm	55Kg

Min./Max. operating pressure: **0,4 / 0,6 MPa**
 Operating temperature: **5° + 45° C**
 Predetermine pivot rotation in degrees: **45° - 60° - 90° - 120°**
 Electronic sensor with M12 swivel connector that can be orientated at 0° or 90°
 Supply voltage: 10+30 V DC
 IP code: **IP 65**

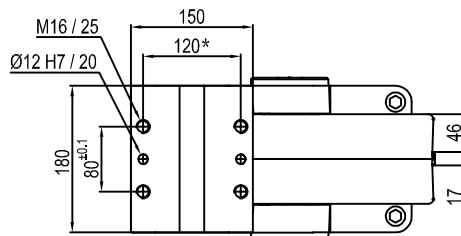
* : TOLERANCE BETWEEN DOWEL HOLES ± 0.02, TO SCREW HOLES ± 0.1

Subject to technical modifications without notice.

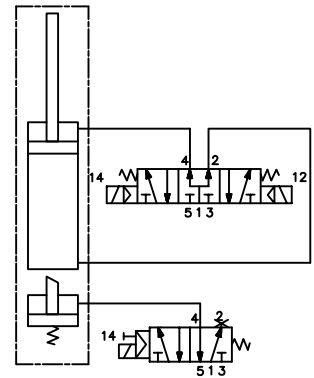
Pneumatic power pivot



Pivot rotation in degrees	A
45°	691
60°	707
90°	744
120°	784



Passive brake:



Size	Holding moment	Max. torque at the rotary table 0,55 MPa	Weight
350	8000 Nm	350 Nm	55 Kg

Min./Max. operating pressure: **0,4 / 0,6 MPa**

Operating temperature: **5° + 45° C**

Predetermine pivot rotation in degrees: **45° - 60° - 90° - 120°**

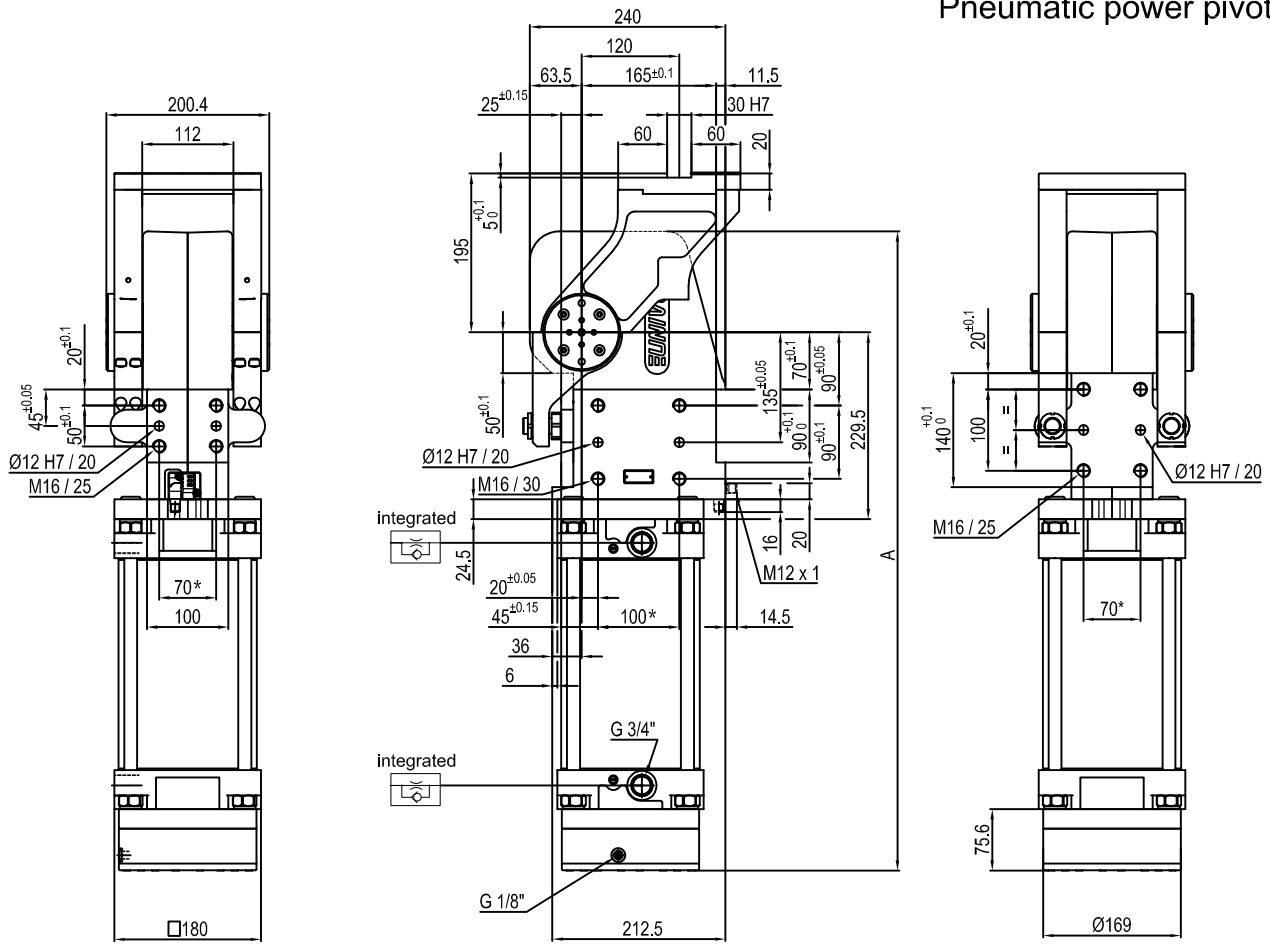
Electronic sensor with M12 swivel connector that can be orientated at 0° or 90°

Supply voltage: 10÷30 V DC

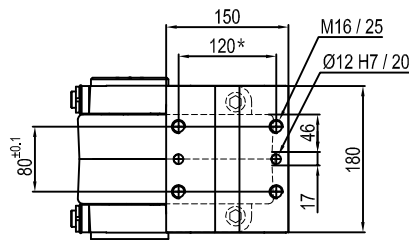
IP code: **IP 65**

* : TOLERANCE BETWEEN DOWEL HOLES ± 0.02, TO SCREW HOLES ± 0.1

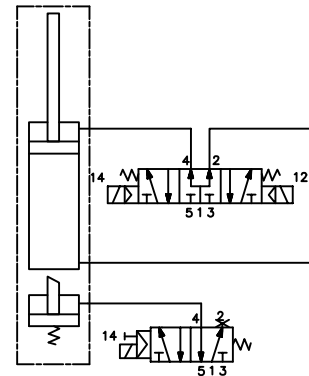
Pneumatic power pivot



Pivot rotation in degrees	A
45°	691
60°	707



Passive brake



Size	Holding moment	Max. torque at the rotary table 0,55 MPa	Weight
350	8000 Nm	350 Nm	55 Kg

Min./Max. operating pressure: 0,4 / 0,6 MPa

Operating temperature: 5° + 45° C

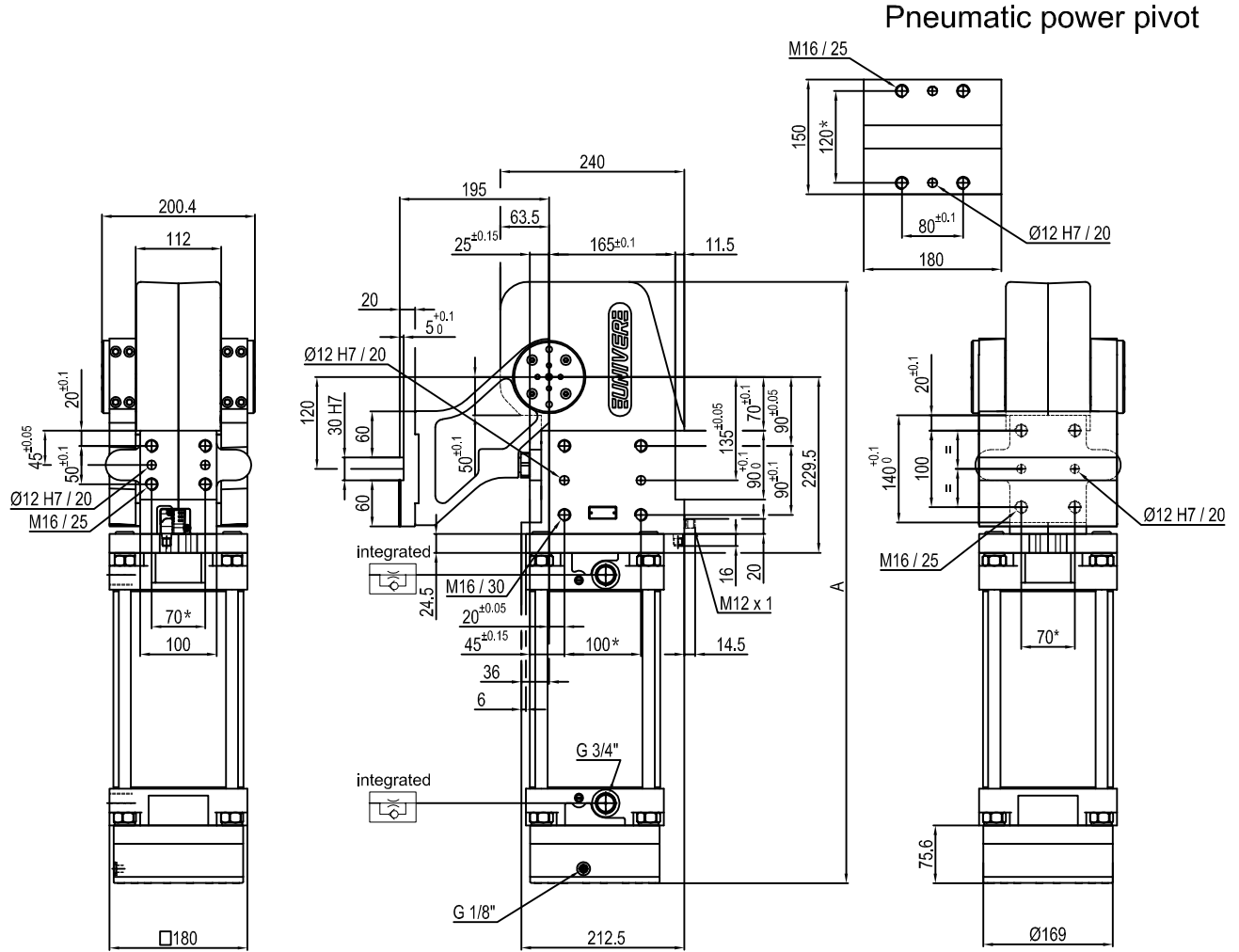
Predetermine pivot rotation in degrees: 45° - 60°

Electronic sensor with M12 swivel connector that can be orientated at 0° or 90°

Supply voltage: 10÷30 V DC

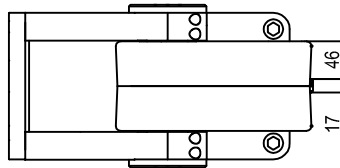
IP code: IP 65

* : TOLERANCE BETWEEN DOWEL HOLES ± 0.02, TO SCREW HOLES ± 0.1

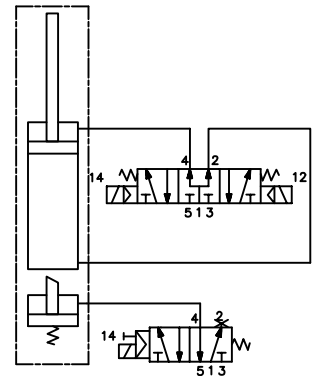


Pneumatic power pivot

Pivot rotation in degrees	A
45°	691
60°	707
90°	744
120°	784



Passive brake



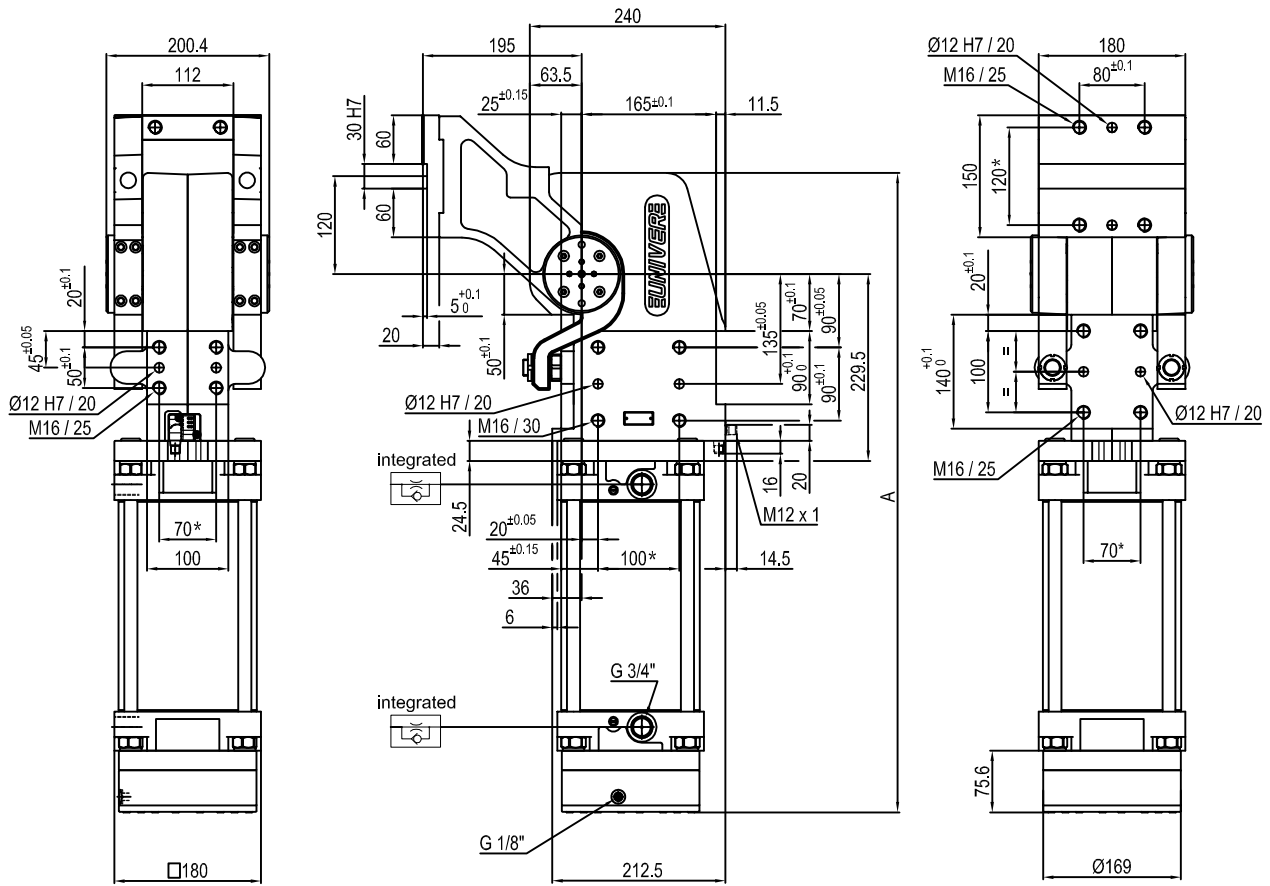
Size	Holding moment	Max. torque at the rotary table 0,55 MPa	Weight
350	8000 Nm	350 Nm	55 Kg

Min./Max. operating pressure: **0,4 / 0,6 MPa**
 Operating temperature: **5° + 45° C**
 Predetermine pivot rotation in degrees: **45° - 60° - 90° - 120°**
 Electronic sensor with M12 swivel connector that can be orientated at 0° or 90°
 Supply voltage: 10÷30 V DC
 IP code: **IP 65**

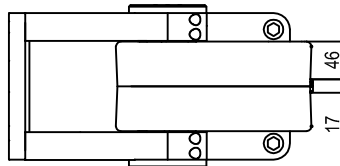
* : TOLERANCE BETWEEN DOWEL HOLES ± 0.02, TO SCREW HOLES ± 0.1

Subject to technical modifications without notice.

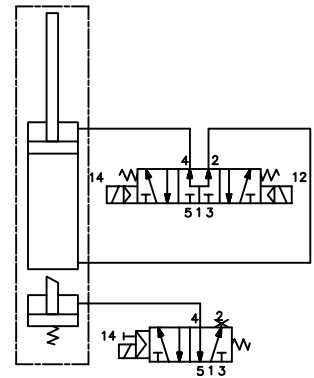
Pneumatic power pivot



Pivot rotation in degrees	A
45°	691
60°	707
90°	744
120°	784



Passive brake



Size	Holding moment	Max. torque at the rotary table 0,55 MPa	Weight
350	8000 Nm	350 Nm	55 Kg

Min./Max. operating pressure: **0,4 / 0,6 MPa**

Operating temperature: **5° + 45° C**

Predetermine pivot rotation in degrees: **45° - 60° - 90° - 120°**

Electronic sensor with M12 swivel connector that can be orientated at 0° or 90°

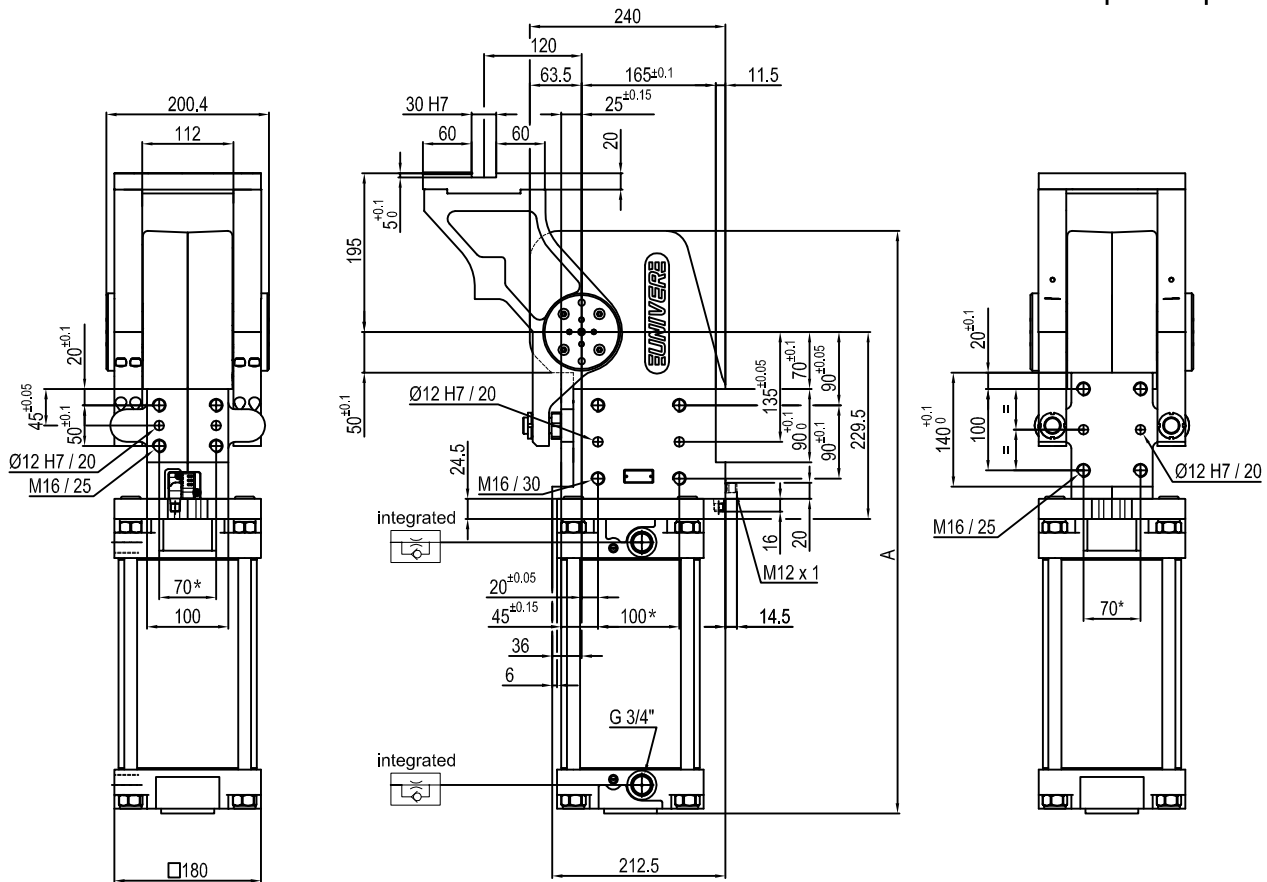
Supply voltage: 10÷30 V DC

IP code: **IP 65**

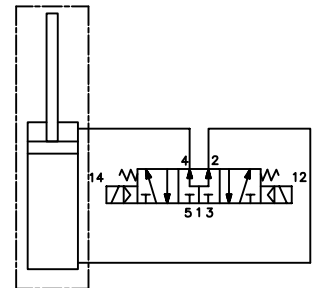
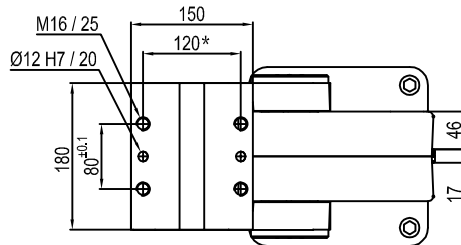
* : TOLERANCE BETWEEN DOWEL HOLES ± 0.02, TO SCREW HOLES ± 0.1

Subject to technical modifications without notice.

Pneumatic power pivot



Pivot rotation in degrees	A
45°	622.5
60°	638.5
90°	675.5
120°	715.5



Size	Holding moment	Max. torque at the rotary table 0,55 MPa	Weight
350	8000 Nm	350 Nm	50 Kg

Min./Max. operating pressure: **0,4 / 0,6 MPa**

Operating temperature: **5° ± 45° C**

Predeterminate pivot rotation in degrees: **45° - 60° - 90° - 120°**

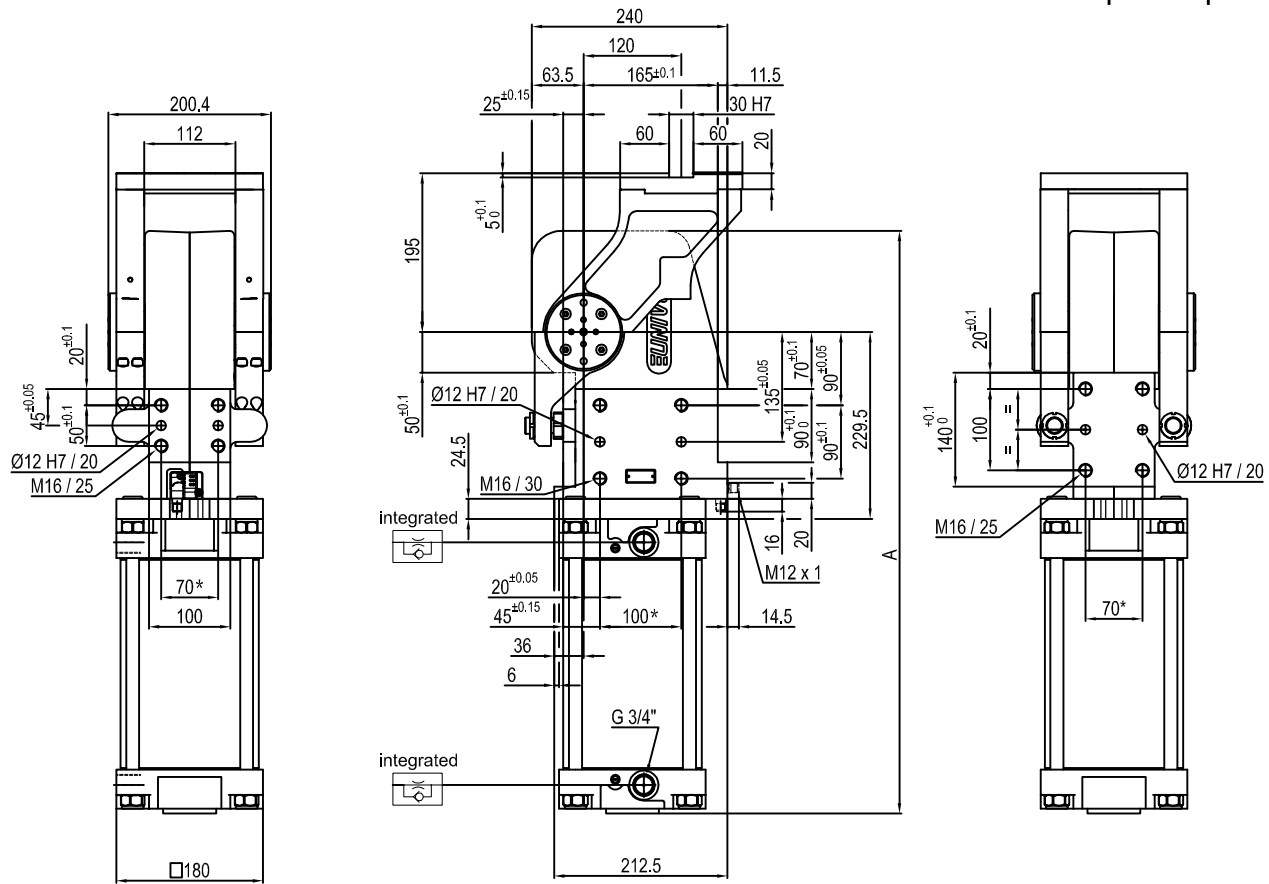
Electronic sensor with M12 swivel connector that can be orientated at 0° or 90°

Supply voltage: 10÷30 V DC

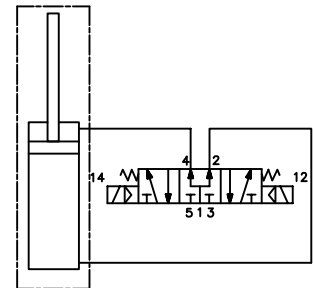
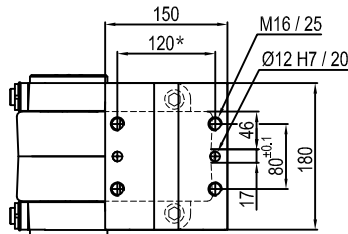
IP code: **IP 65**

* : TOLERANCE BETWEEN DOWEL HOLES ± 0.02, TO SCREW HOLES ± 0.1

Subject to technical modifications without notice.



Pivot rotation in degrees	A
45°	622.5
60°	638.5



Size	Holding moment	Max. torque at the rotary table 0,55 MPa	Weight
350	8000 Nm	350 Nm	50 Kg

Min./Max. operating pressure: **0,4 / 0,6 MPa**

Operating temperature: **5° ± 45° C**

Predetermine pivot rotation in degrees: **45° - 60°**

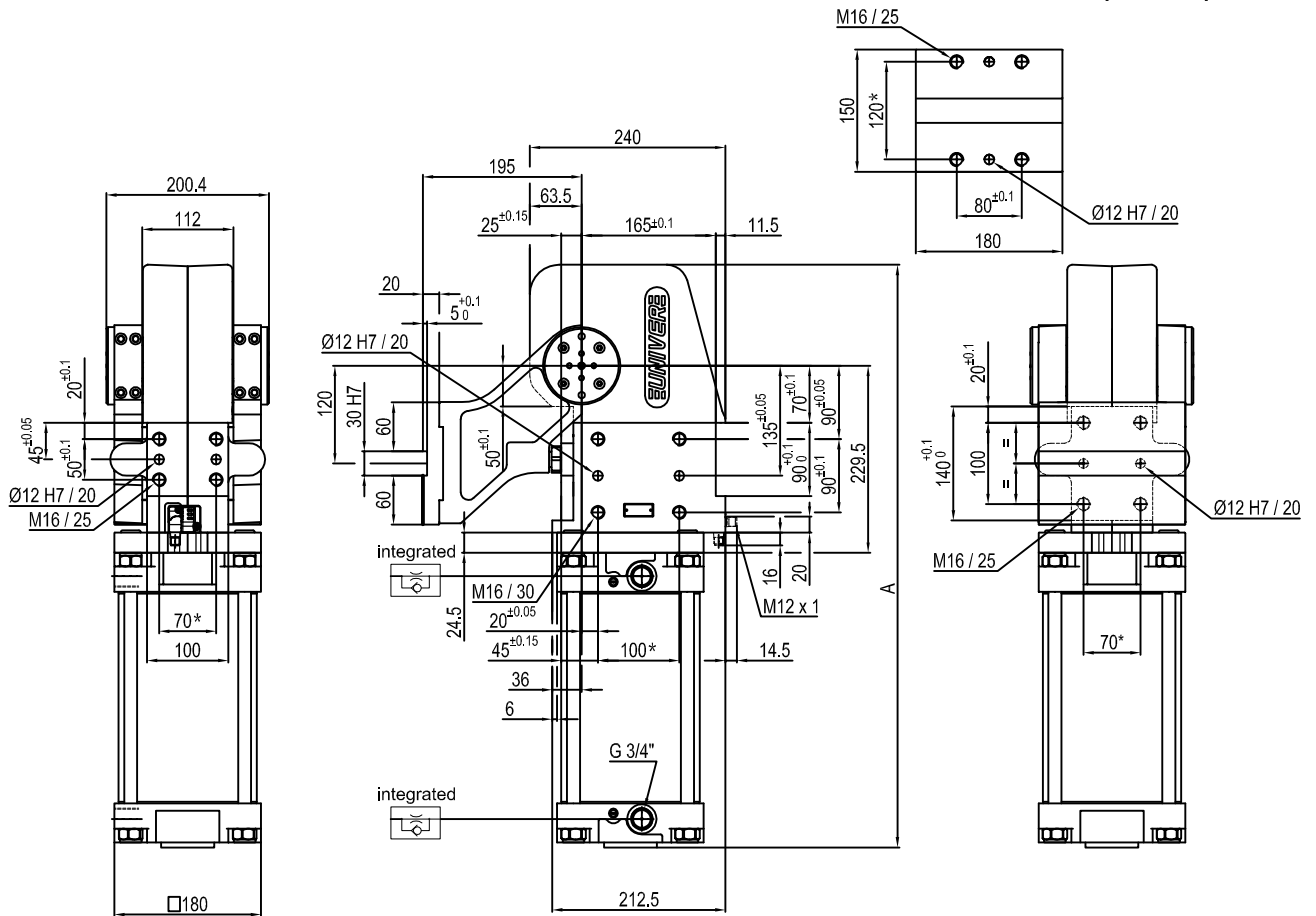
Electronic sensor with M12 swivel connector that can be orientated at 0° or 90°

Supply voltage: 10÷30 V DC

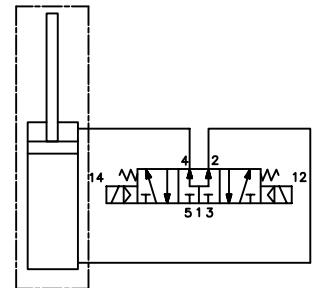
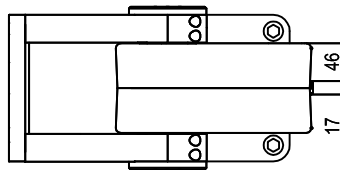
IP code: **IP 65**

* : TOLERANCE BETWEEN DOWEL HOLES ± 0.02, TO SCREW HOLES ± 0.1

Pneumatic power pivot



Pivot rotation in degrees	A
45°	622.5
60°	638.5
90°	675.5
120°	715.5



Size	Holding moment	Max. torque at the rotary table 0,55 MPa	Weight
350	8000 Nm	350 Nm	50 Kg

Min./Max. operating pressure: 0,4 / 0,6 MPa

Operating temperature: 5° ± 45° C

Predetermine pivot rotation in degrees: 45° - 60° - 90° - 120°

Electronic sensor with M12 swivel connector that can be orientated at 0° or 90°

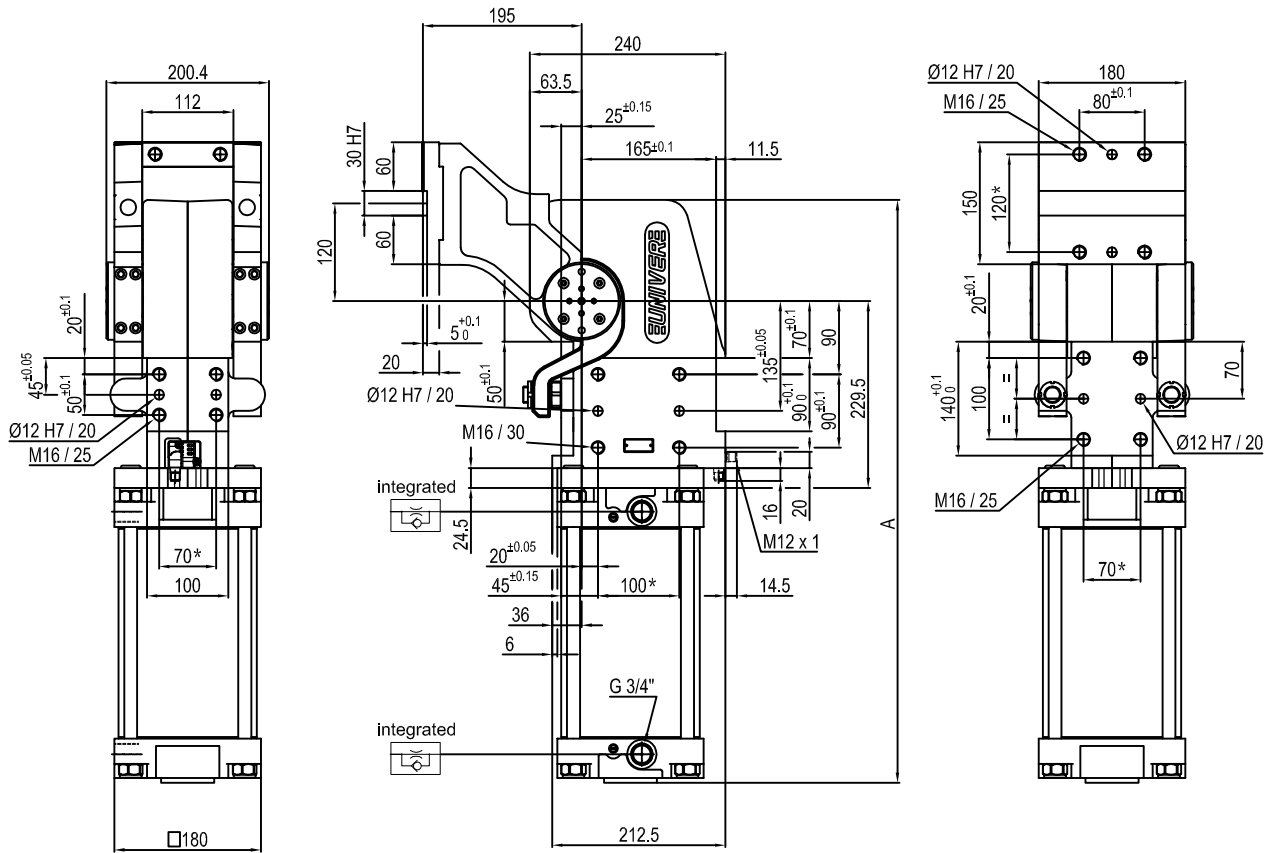
Supply voltage: 10÷30 V DC

IP code: IP 65

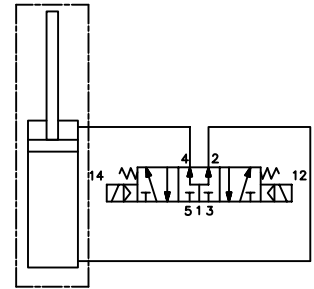
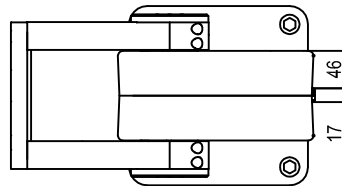
* : TOLERANCE BETWEEN DOWEL HOLES ± 0.02, TO SCREW HOLES ± 0.1

Subject to technical modifications without notice.

Pneumatic power pivot



Pivot rotation in degrees	A
45°	622.5
60°	638.5
90°	675.5
120°	715.5



Size	Holding moment	Max. torque at the rotary table 0,55 MPa	Weight
350	8000 Nm	350 Nm	50 Kg

Min./Max. operating pressure: **0,4 / 0,6 MPa**

Operating temperature: **5° ± 45° C**

Predeterminate pivot rotation in degrees: **45° - 60° - 90° - 120°**

Electronic sensor with M12 swivel connector that can be orientated at 0° or 90°

Supply voltage: 10÷30 V DC

IP code: **IP 65**

* : TOLERANCE BETWEEN DOWEL HOLES ± 0.02, TO SCREW HOLES ± 0.1

Subject to technical modifications without notice.