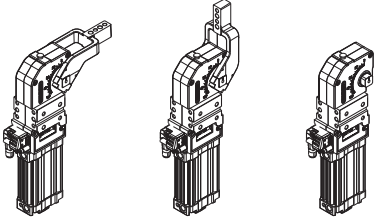


# IBP40

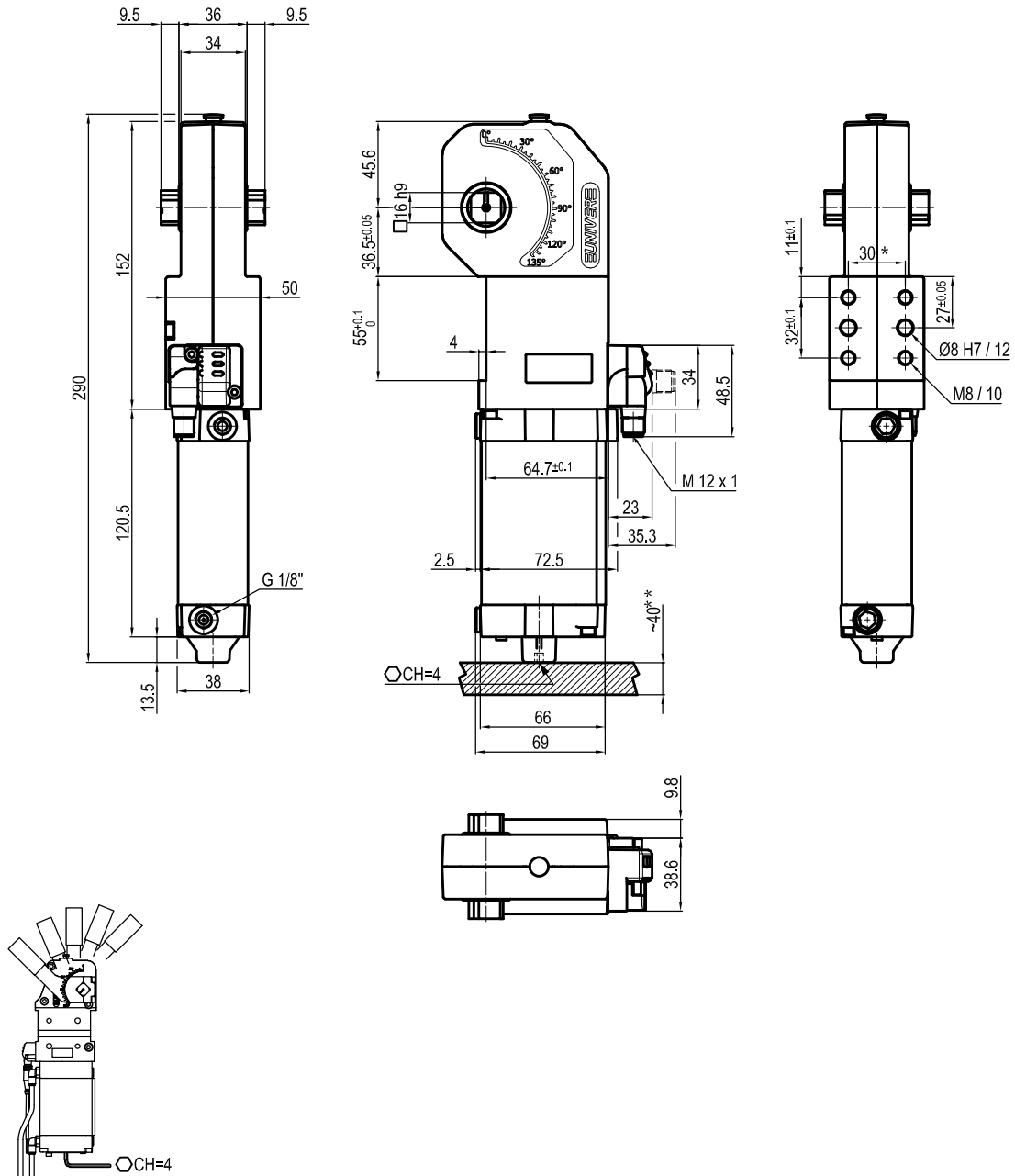
UNIVERSAL Power clamps



I	B	P	4	0	V	E	E	
1	2	3	4	5	6	7		

<p><b>1 Series</b></p> <p><b>IB = UNIVERSAL</b> Power clamps fully adjustable opening angle: <b>0° to 132° Max</b> interchangeable with 50 and 63 sizes The opening angle range may vary according to the arm position and style</p>	<p><b>2 Version</b></p> <p><b>P = Pneumatic-standard</b></p>	<p><b>3 Size</b></p> <p><b>40 = Ø 40 mm</b></p>
<p><b>4 Arm position</b></p> <p><b>V = 90°    O = 180°    N = No arm</b></p> 	<p><b>5 Arm style</b></p> <p><b>C = Central, 15 mm offset</b> <b>D = Right, 15 mm offset</b> <b>S = Left, 15 mm offset</b> <b>E = Central, 45 mm offset</b> <b>F = Right, 45 mm offset</b> <b>L = Left, 45 mm offset</b> <b>N = No arm</b></p>	<p><b>6 Sensor</b></p> <p><b>N = No sensor</b> (with protection plate) <b>E = Electronic sensor with M12</b> swivel connector (DF-U)</p>
<p><b>7 Option</b></p> <p><b>A = Preset for self-holding system</b></p>		

## UNIVERSAL Pneumatic power clamp Ø50 / Ø63 mm sizes compatible



Bore Ø	Holding moment	Clamping moment (0.5 MPa)	Weight (Clamping arm not included)
40 mm	600 Nm	170 Nm	1.6 Kg

Min./Max. operating pressure: **0,4 / 0,6 MPa**

Operating temperature: **5° ± 45° C**

Opening angle: **adjustable**

Without arm

Electronic sensor with M12 swivel connector that can be orientated at 0° or 90°

Supply voltage: 10÷30 Vdc

IP code: **IP 65**

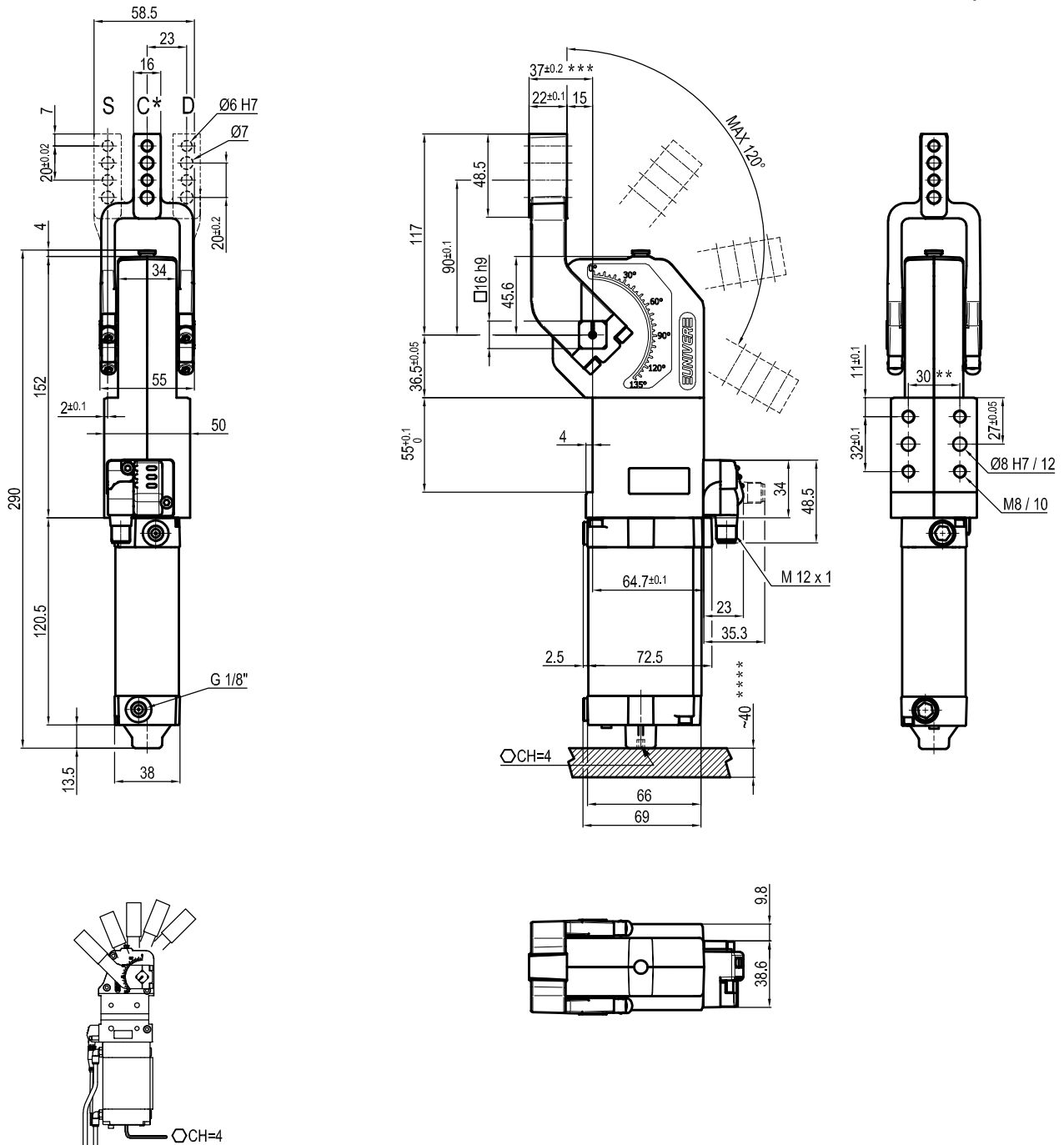
Pneumatic ports on both sides

\* : TOLERANCE BETWEEN DOWELS ± 0.02, TO SCREW HOLES ± 0.1

\*\* : AREA TO ACCES ANGLE ADJUSTMENT

Subject to technical modification without notice.

## UNIVERSAL Pneumatic power clamp Ø50 / Ø63 mm sizes compatible



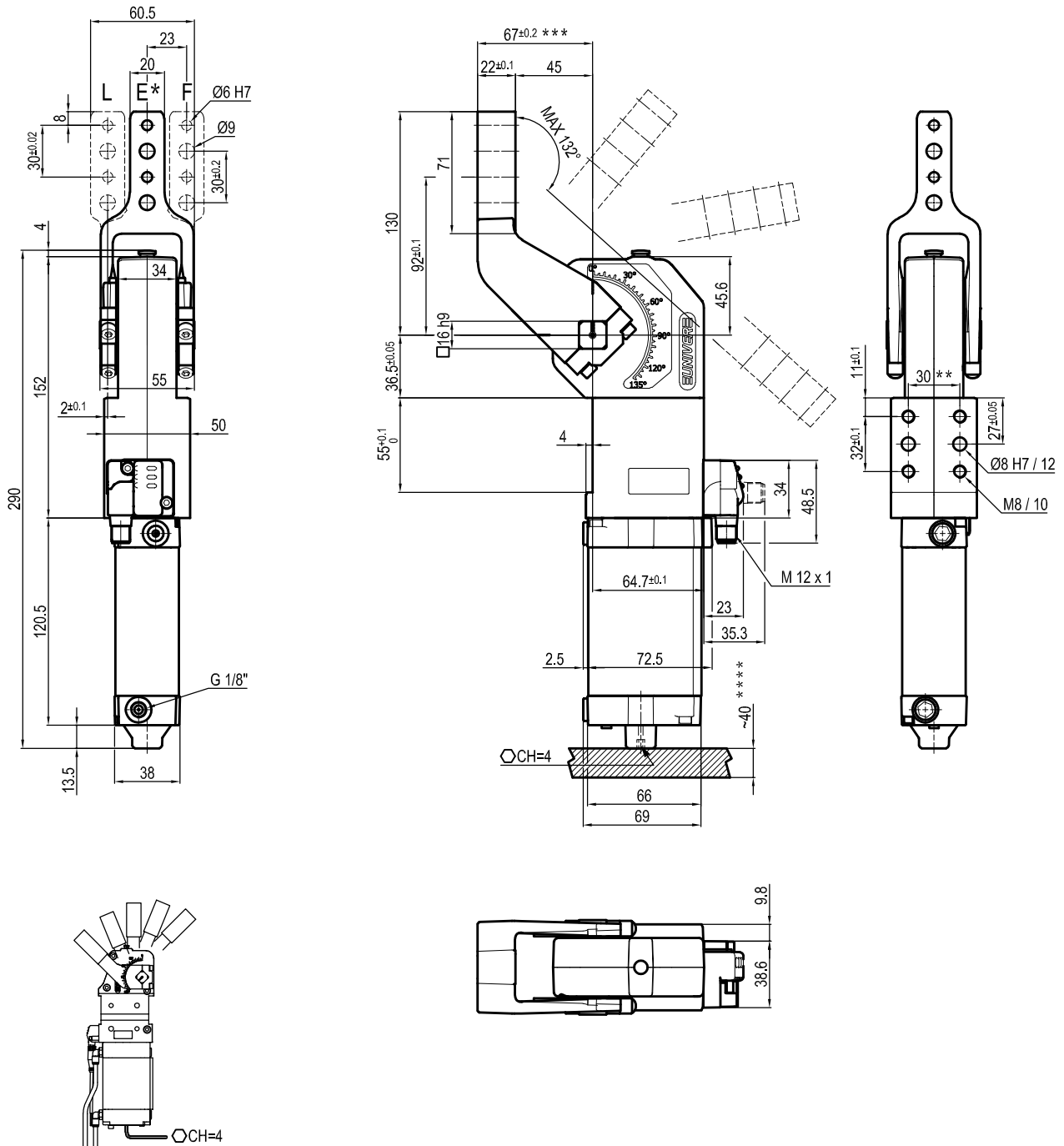
Bore Ø	Holding moment	Clamping moment (0.5 MPa)	Weight (Clamping arm not included)
40 mm	600 Nm	170 Nm	1.6 Kg

Min./Max. operating pressure: **0,4 / 0,6 MPa**  
 Operating temperature: **5° ± 45° C**  
 Opening angle: **adjustable from 0° to 120°**  
 Horizontal arm mount position  
 Electronic sensor with M12 swivel connector that can be orientated at 0° or 90°  
 Supply voltage: 10±30 Vdc  
 IP code: **IP 65**  
 Pneumatic ports on both sides

\* : "E" CENTRAL - Ø50 / Ø63 mm SIZES COMPATIBLE  
 \*\* : TOLERANCE BETWEEN DOWELS ± 0.02, TO SCREW HOLES ± 0.1  
 \*\*\* : TOLERANCE AT 80 mm FROM PIVOT POINT  
 \*\*\*\* : AREA TO ACCESS ANGLE ADJUSTMENT

Subject to technical modification without notice.

## UNIVERSAL Pneumatic power clamp with manual lever arm at 45 mm from pivot point (arm style E-L-F)



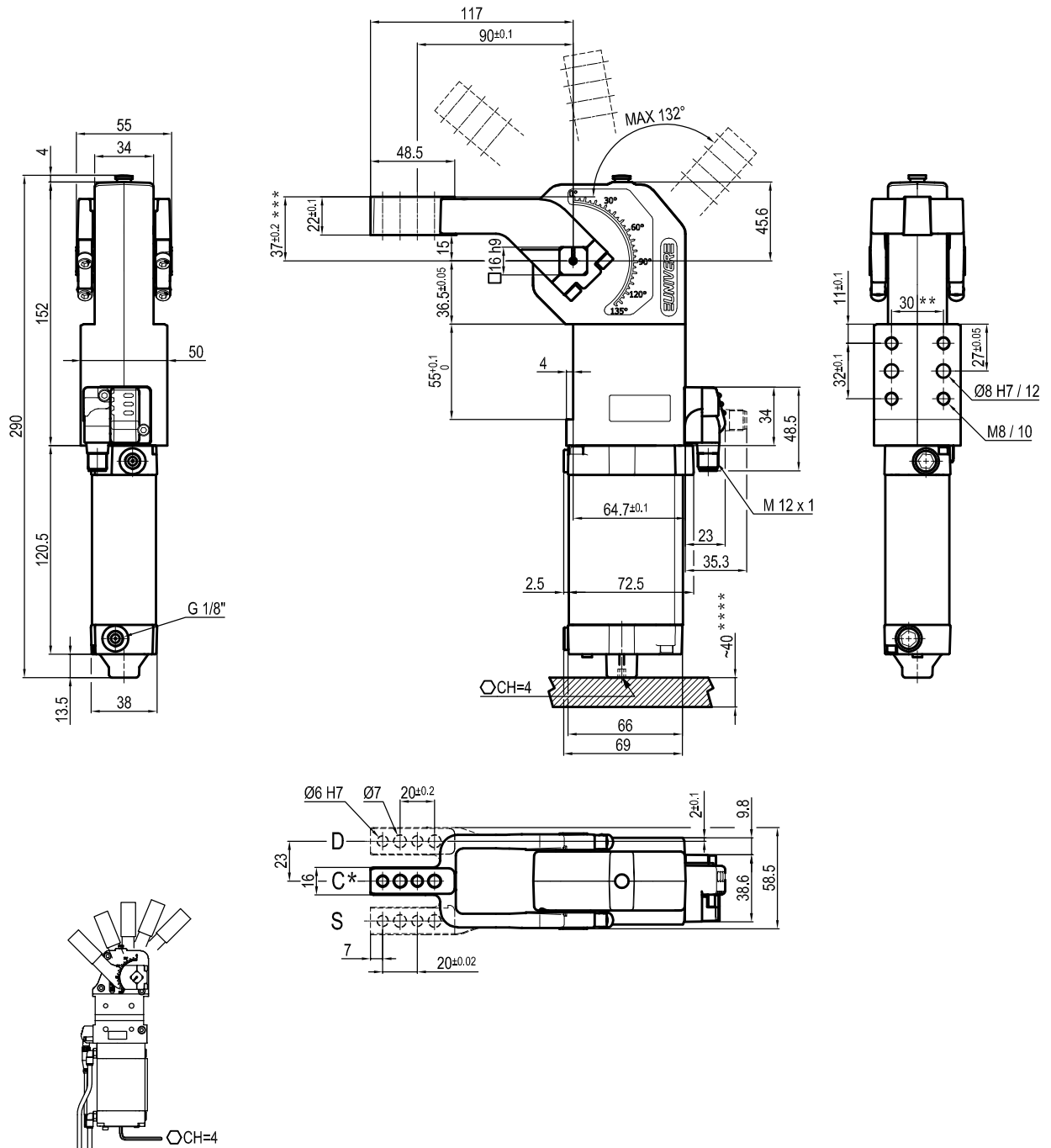
Bore Ø	Holding moment	Clamping moment (0.5 MPa)	Weight (Clamping arm not included)
40 mm	600 Nm	170 Nm	1.6 Kg

Min./Max. operating pressure: **0,4 / 0,6 MPa**  
 Operating temperature: **5° + 45° C**  
 Opening angle: **adjustable from 0° to 132°**  
 Horizontal arm mount position  
 Electronic sensor with M12 swivel connector that can be orientated at 0° or 90°  
 Supply voltage: 10÷30 Vdc  
 IP code: **IP 65**  
 Pneumatic ports on both sides

\* : "E" CENTRAL - Ø50 / Ø63 mm SIZES COMPATIBLE  
 \*\* : TOLERANCE BETWEEN DOWELS ± 0.02, TO SCREW HOLES ± 0.1  
 \*\*\* : TOLERANCE AT 80 mm FROM PIVOT POINT  
 \*\*\*\* : AREA TO ACCESS ANGLE ADJUSTMENT

Subject to technical modification without notice.

## UNIVERSAL Pneumatic power clamp Ø50 / Ø63 mm sizes compatible



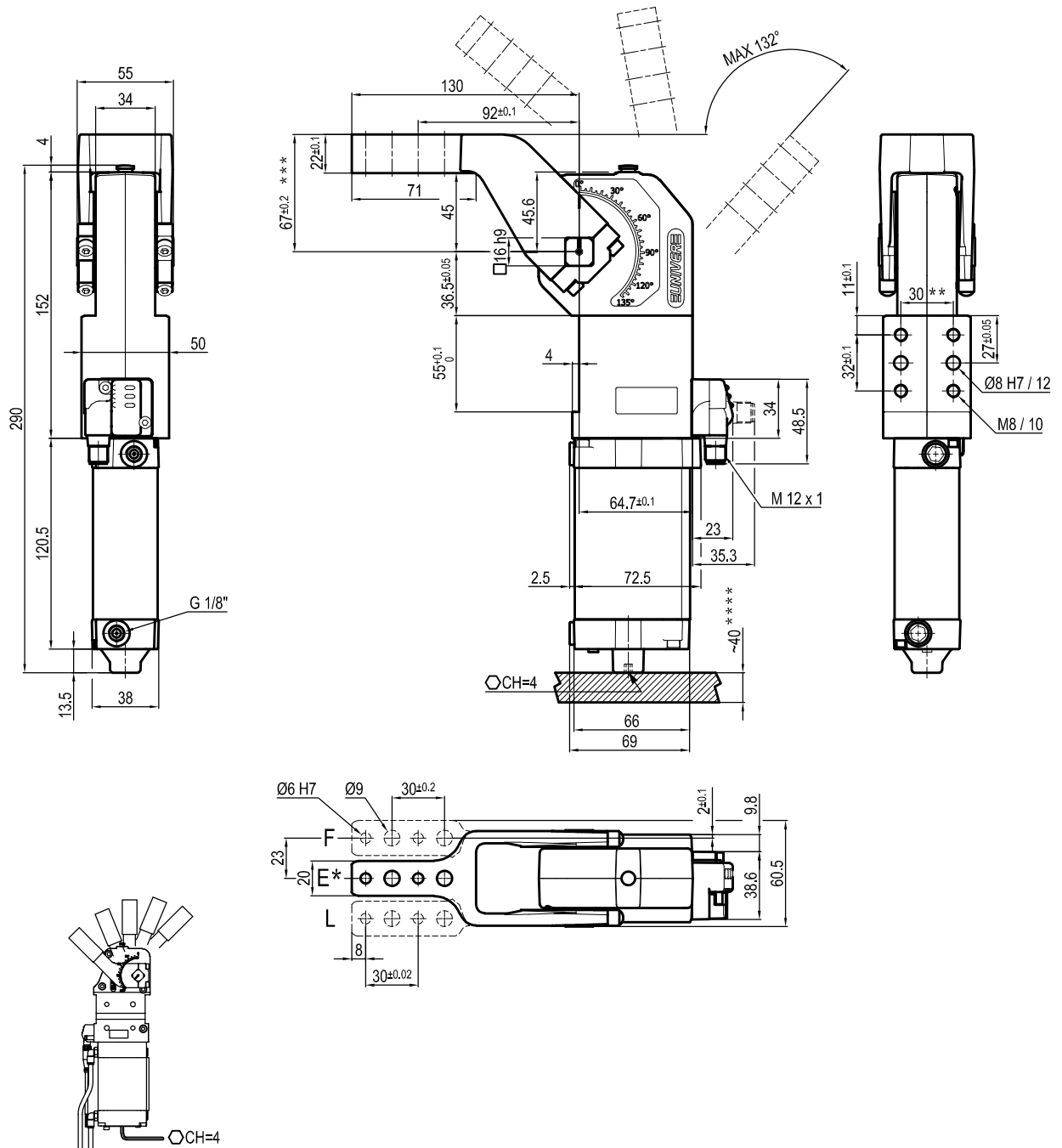
Bore Ø	Holding moment	Clamping moment (0.5 MPa)	Weight (Clamping arm not included)
40 mm	600 Nm	170 Nm	1.6 Kg

Min./Max. operating pressure: **0,4 / 0,6 MPa**  
 Operating temperature: **5° ± 45° C**  
 Opening angle: **adjustable from 0° to 132°**  
 Vertical arm mount position  
 Electronic sensor with M12 swivel connector that can be orientated at 0° or 90°  
 Supply voltage: 10÷30 Vdc  
 IP code: **IP 65**  
 Pneumatic ports on both sides

\* : "E" CENTRAL - Ø50 / Ø63 mm SIZES COMPATIBLE  
 \*\* : TOLERANCE BETWEEN DOWELS ± 0.02, TO SCREW HOLES ± 0.1  
 \*\*\* : TOLERANCE AT 80 mm FROM PIVOT POINT  
 \*\*\*\* : AREA TO ACCESS ANGLE ADJUSTMENT

Subject to technical modification without notice.

## UNIVERSAL Pneumatic power clamp with manual lever arm at 45 mm from pivot point (arm style E-L-F)



Bore Ø	Holding moment	Clamping moment (0.5 MPa)	Weight (Clamping arm not included)
40 mm	600 Nm	170 Nm	1.6 Kg

Min./Max. operating pressure: **0,4 / 0,6 MPa**  
 Operating temperature: **5° + 45° C**  
 Opening angle: **adjustable from 0° to 132°**  
 Vertical arm mount position  
 Electronic sensor with M12 swivel connector that can be orientated at 0° or 90°  
 Supply voltage: 10÷30 Vdc  
 IP code: **IP 65**  
 Pneumatic ports on both sides

\* : "E" CENTRAL - Ø50 / Ø63 mm SIZES COMPATIBLE  
 \*\* : TOLERANCE BETWEEN DOWELS ± 0.02, TO SCREW HOLES ± 0.1  
 \*\*\* : TOLERANCE AT 80 mm FROM PIVOT POINT  
 \*\*\*\* : AREA TO ACCESS ANGLE ADJUSTMENT

Subject to technical modification without notice.