

LSP60

Pneumatic pin clamp



L	S	P	6	0	J	E	3	0	-	-	-	-
1	2	3	4	5	6	7	8					

1 Series	2 Version	3 Size
-----------------	------------------	---------------

LS = Pin clamp

P = Pneumatic-standard

60 = Ø 50 mm

4 Model	5 Sensor	6 Pin diameter
----------------	-----------------	-----------------------

J = With compensation

E = Electronic sensor with
M12 swivel connector (DF-U)

N = No sensor
(with protection plate)

1 <= Ø 19 mm

2 = Ø 20 mm

3 = Ø 25 mm

4 = Ø 30 mm

5 = Ø 35 mm

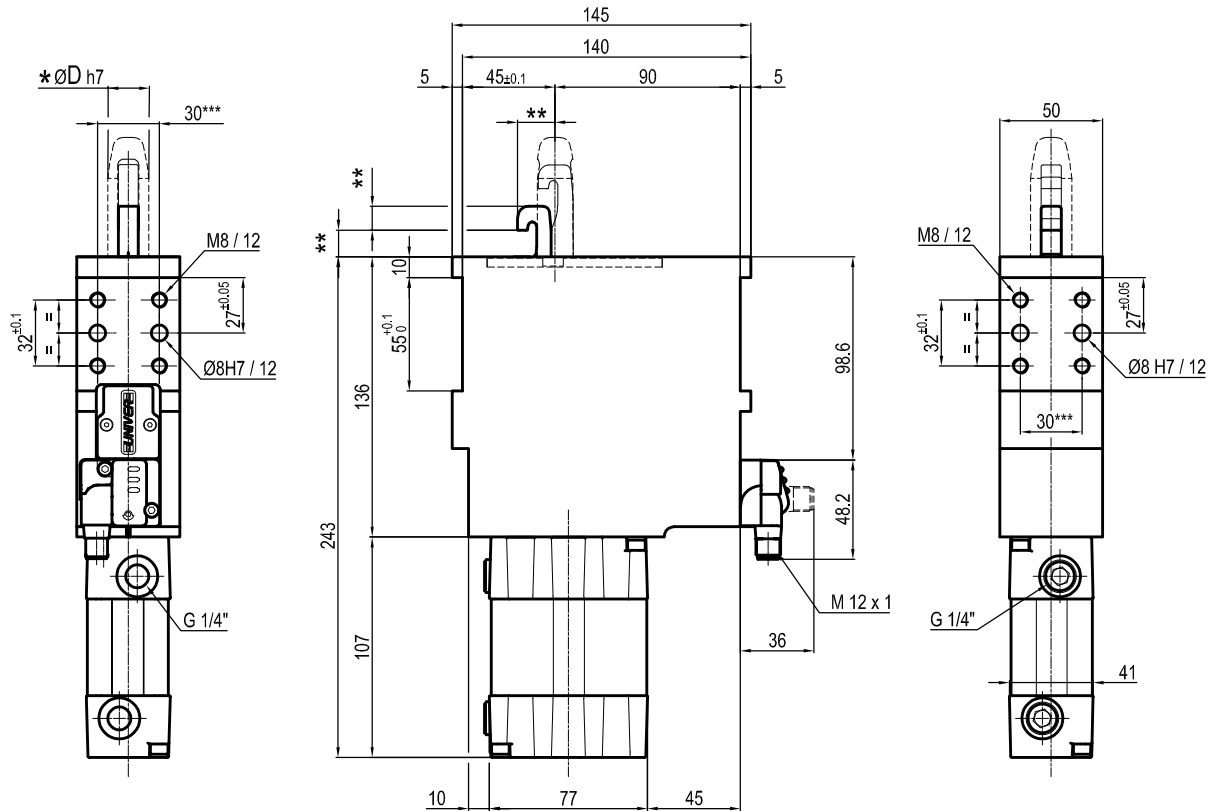
6 = Ø 40 mm

7 Locating pin	8 Progressive numbering
-----------------------	--------------------------------

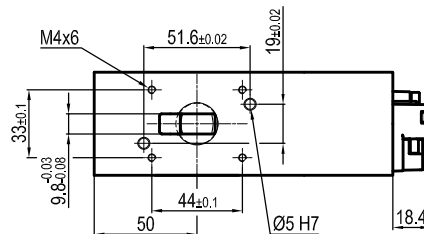
0 = Locating pin not included

1 = Locating pin included

Progressive numbers for special
products are assigned by the Sales Dept.



*	ØD
1	≤19
2	20
3	25
4	30
5	35
6	40



******: Missing dimension to be defined according to customer specifications

Bore Ø	Clamping force	Weight (hook and pin not included)
50 mm	3500 N	3.2 Kg

Min./Max. operating pressure: **0,4 / 0,6 MPa**

Operating temperature: **5° + 45° C**

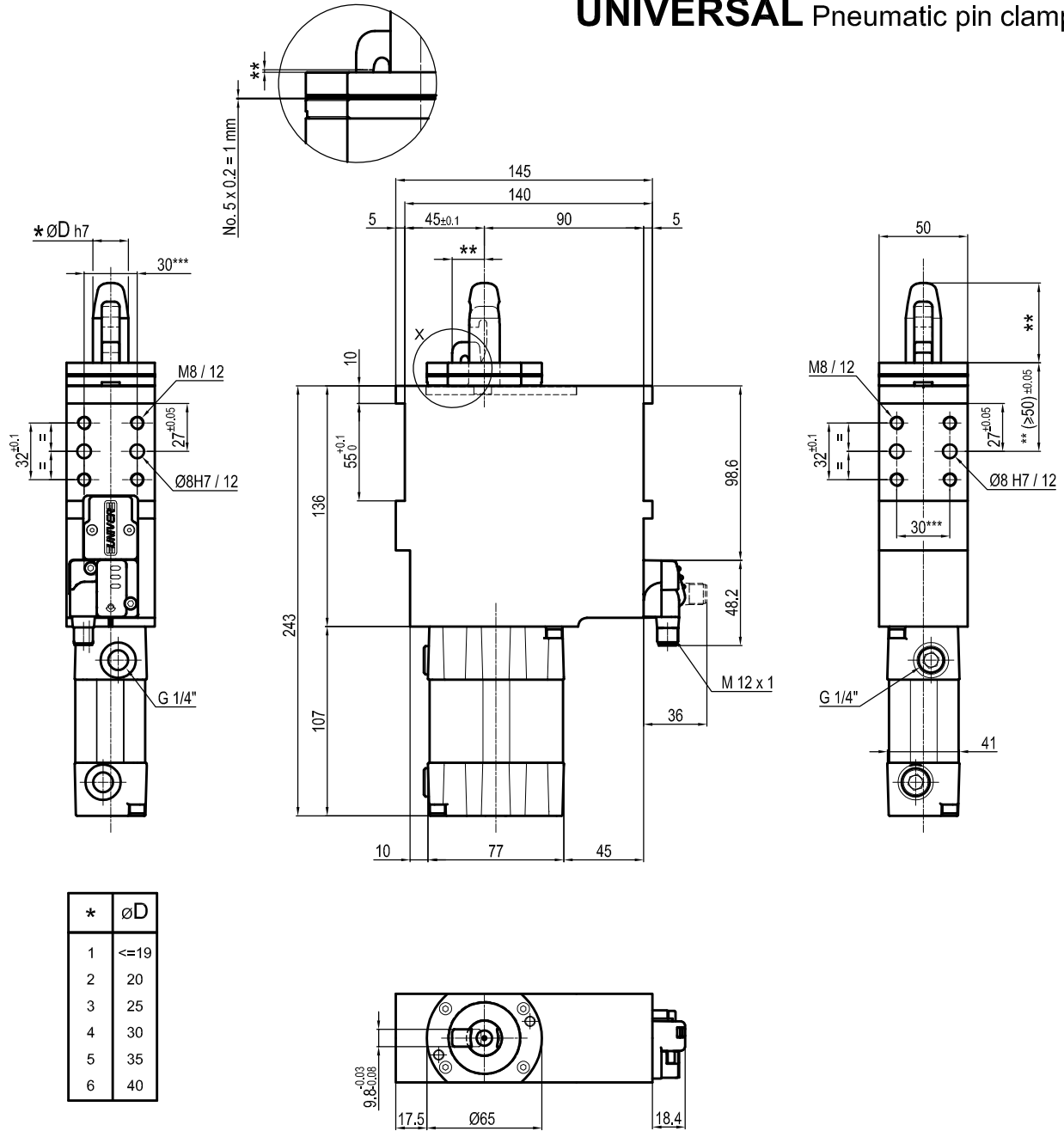
Electronic sensor with M12 swivel connector that can be orientated at 0° or 90°

Supply voltage: 10+30 Vdc

IP code: **IP 54**

*** : TOLERANCE BETWEEN DOWEL HOLES ± 0.02, BETWEEN SCREW HOLES ± 0.1

Subject to technical modification without notice.



** : Missing dimension to be defined according to customer specifications

Bore Ø	Clamping force	Weight (hook and pin not included)
50 mm	3500 N	3.2 Kg

Min./Max. operating pressure: **0,4 / 0,6 MPa**
 Operating temperature: **5° + 45° C**
 Electronic sensor with M12 swivel connector that can be orientated at 0° or 90°
 Supply voltage: 10+30 Vdc
 IP code: **IP 54**

*** : TOLERANCE BETWEEN DOWEL HOLES ± 0.02, BETWEEN SCREW HOLES ± 0.1

Subject to technical modification without notice.