

LAE225

Electric Power clamps



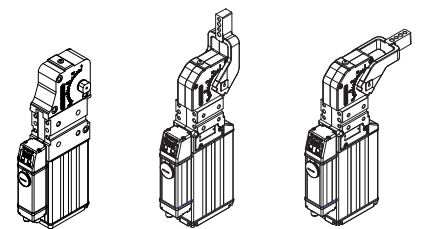
L	A	E	2	2	5	V	C	3	1
1		2			3	4	5		

1 Series	2 Size	3 Arm mount position
-----------------	---------------	-----------------------------

LAE = Electric Power Clamps

225 = 225 Nm
 Mounting surface interchangeable with pneumatic power clamp, Ø50 mm

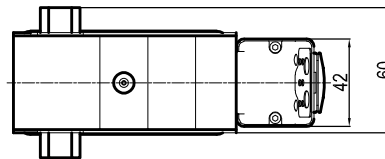
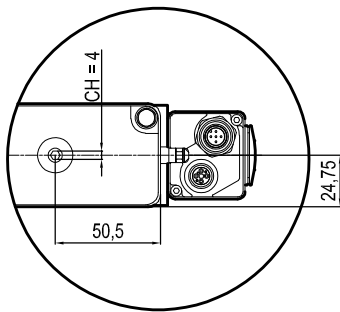
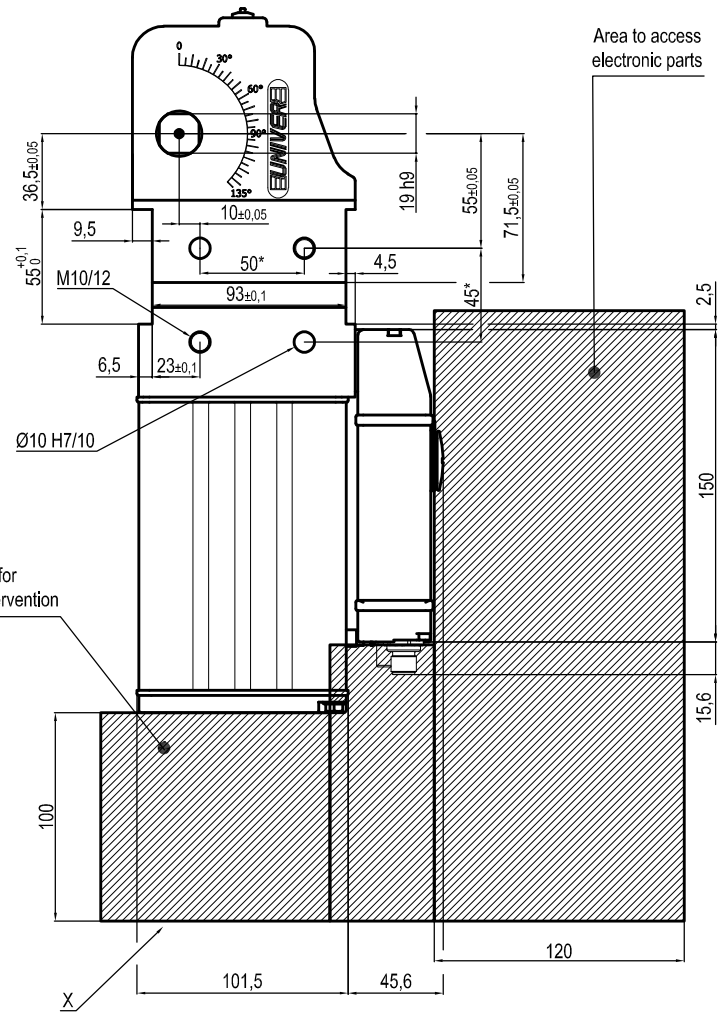
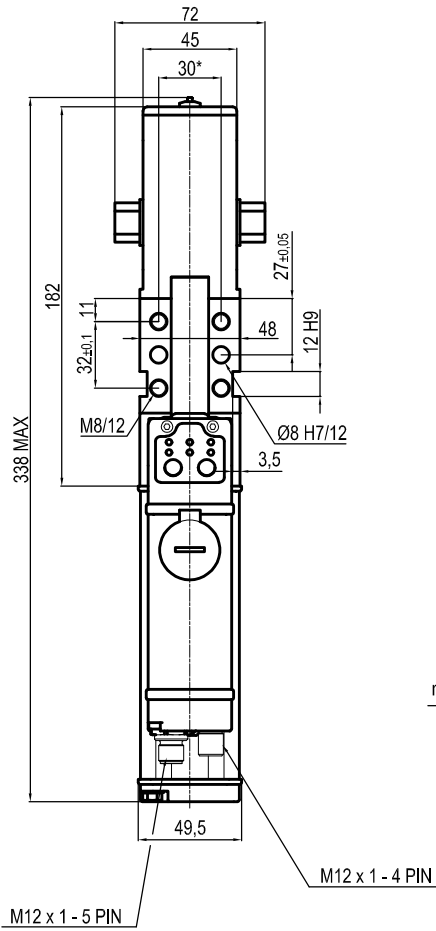
N = No arm O = 180° V = 90°



4 Arm style	5 Control unit
--------------------	-----------------------

C = Central , 15 mm offset
 D = Right, 15 mm offset
 S = Left, 15 mm offset
 N = No arm

31 = 1 connector M12 4 poles T CODE
 +1 connector M12 5 poles A CODE

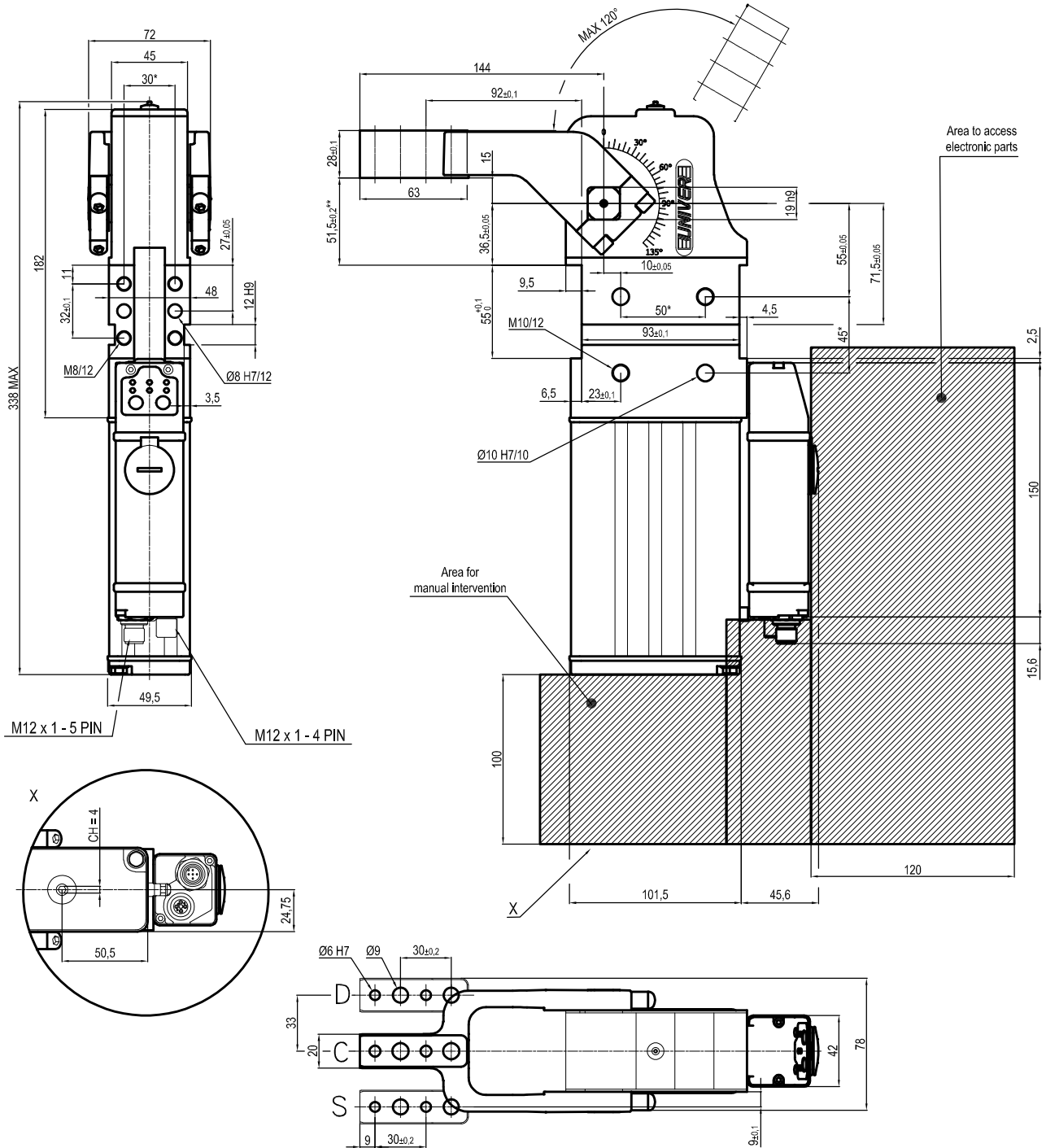


Size	Clamping moment	Closing time**	Weight
225	225 Nm	1 sec x 90°	4.3 Kg

Operating temperature : 5° + 40° C
 Opening angle : -
 IP code : IP 65

* : TOLERANCE BETWEEN DOWELS ± 0.02, TO SCREW HOLES ± 0.1
 ** : FOR MORE DETAILS SEE TECHNICAL SPECIFICATIONS

UNIVERSAL Electric clamp



Size	Clamping moment	Closing time***	Weight (Without arm)
225	225 Nm	1 sec x 90°	4.3 Kg

Operating temperature : 5° + 40° C
 Opening angle : 120° - 105° - 90° - 75° - 60° - 45° - 30° - 15°
 Vertical arm mount position
 IP code : IP 65

* : TOLERANCE BETWEEN DOWELS ± 0.02, TO SCREW HOLES ± 0.1

** : TOLERANCE AT 80mm FROM PIVOT POINT

*** : FOR MORE DETAILS SEE TECHNICAL SPECIFICATIONS

Subject to technical modifications without notice