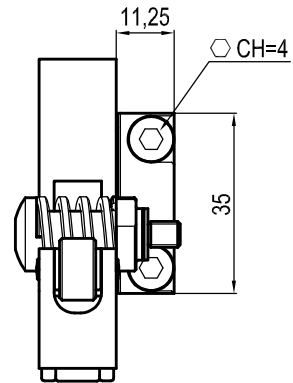
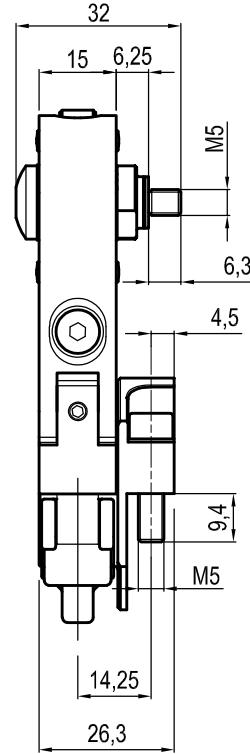
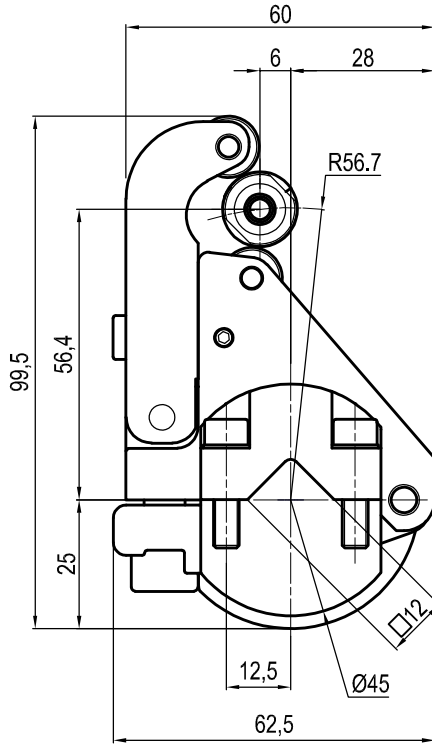


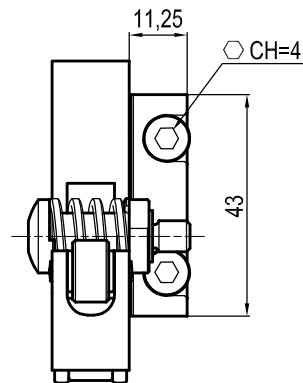
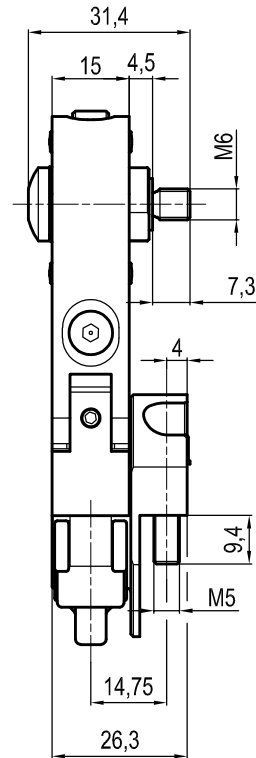
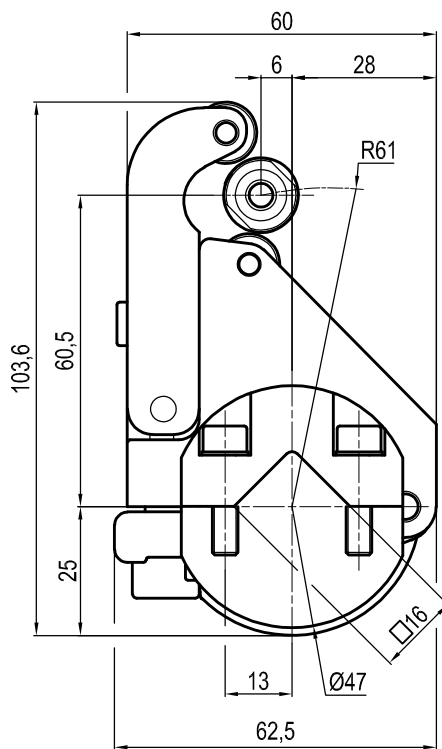
□12 mm self holding



Clamp size	Material	Weight
40	Aluminium / Steel	0.275 Kg

Subject to technical modification without notice.

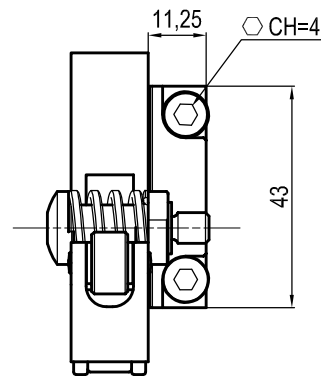
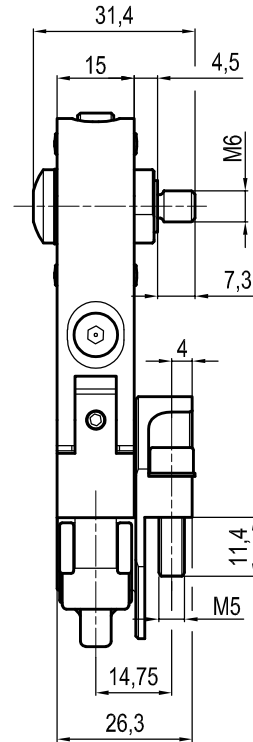
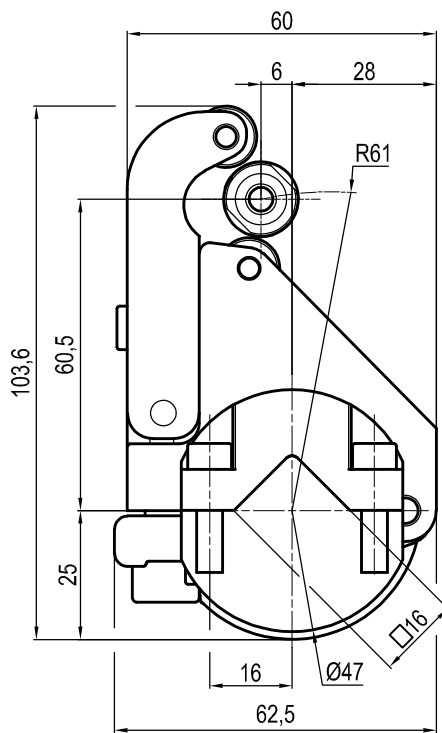
□16 mm self holding



Clamp size	Material	Weight
40	Aluminium / Steel	0.3 Kg

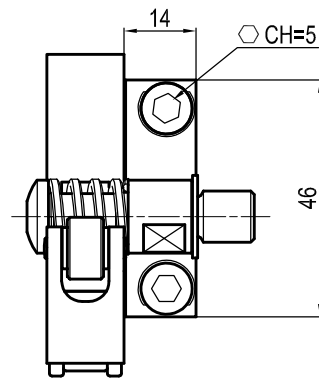
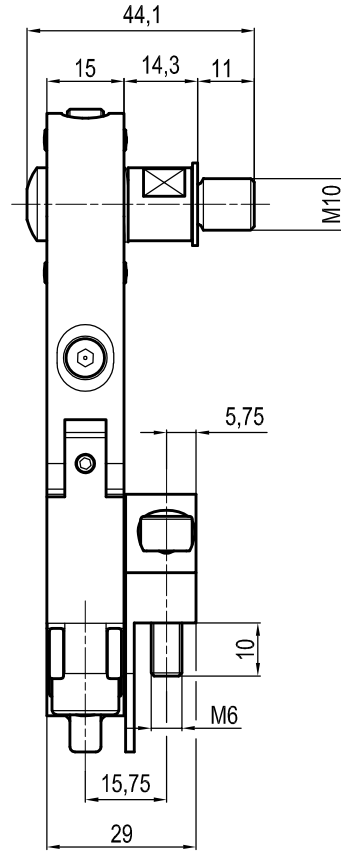
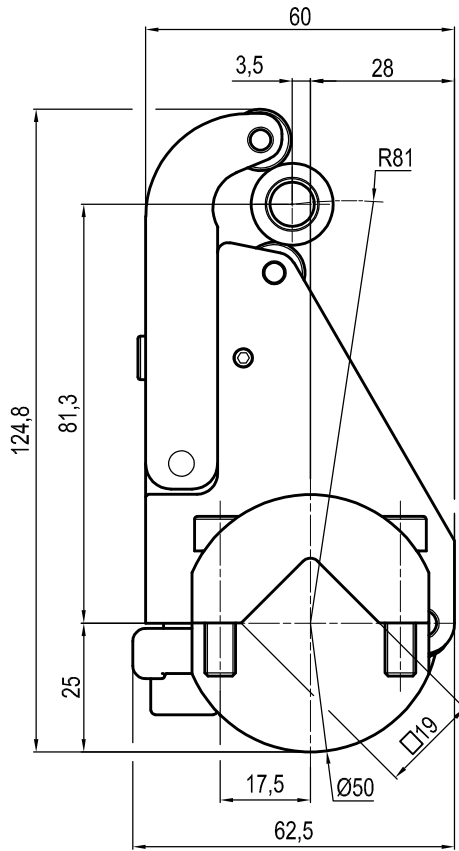
Subject to technical modification without notice.

□16 mm self holding



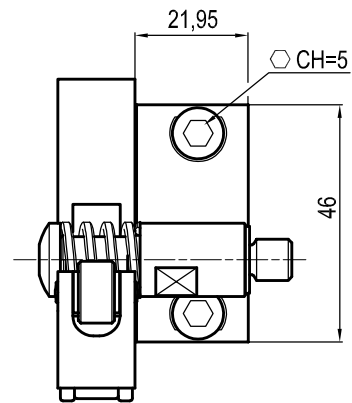
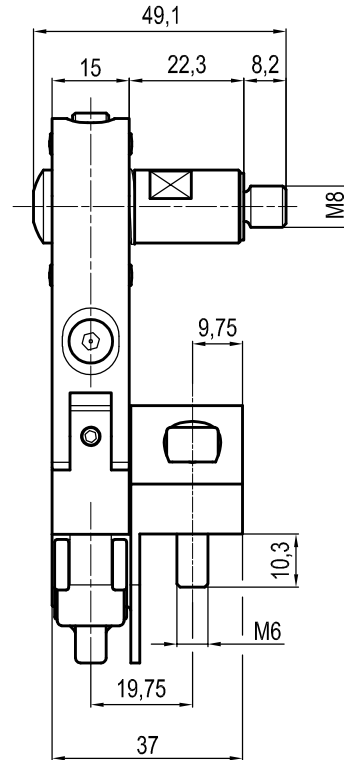
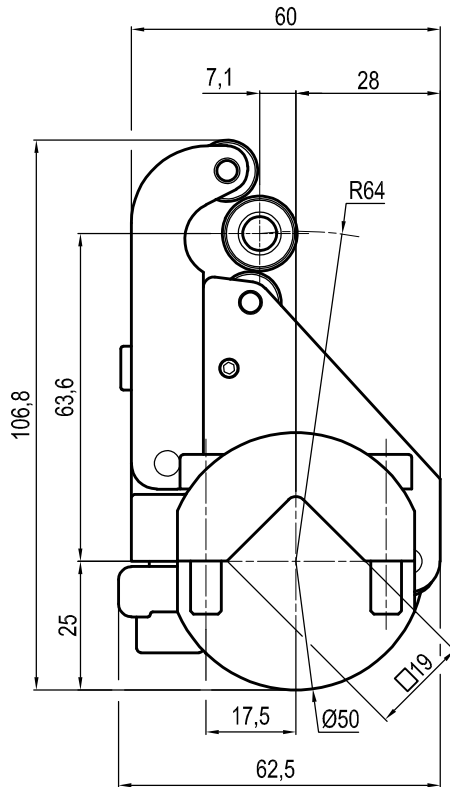
Clamp size	Material	Weight
40	Aluminium / Steel	0.3 Kg

□19 mm self holding



Clamp size	Material	Weight
50/63	Aluminium / Steel	0.4 Kg

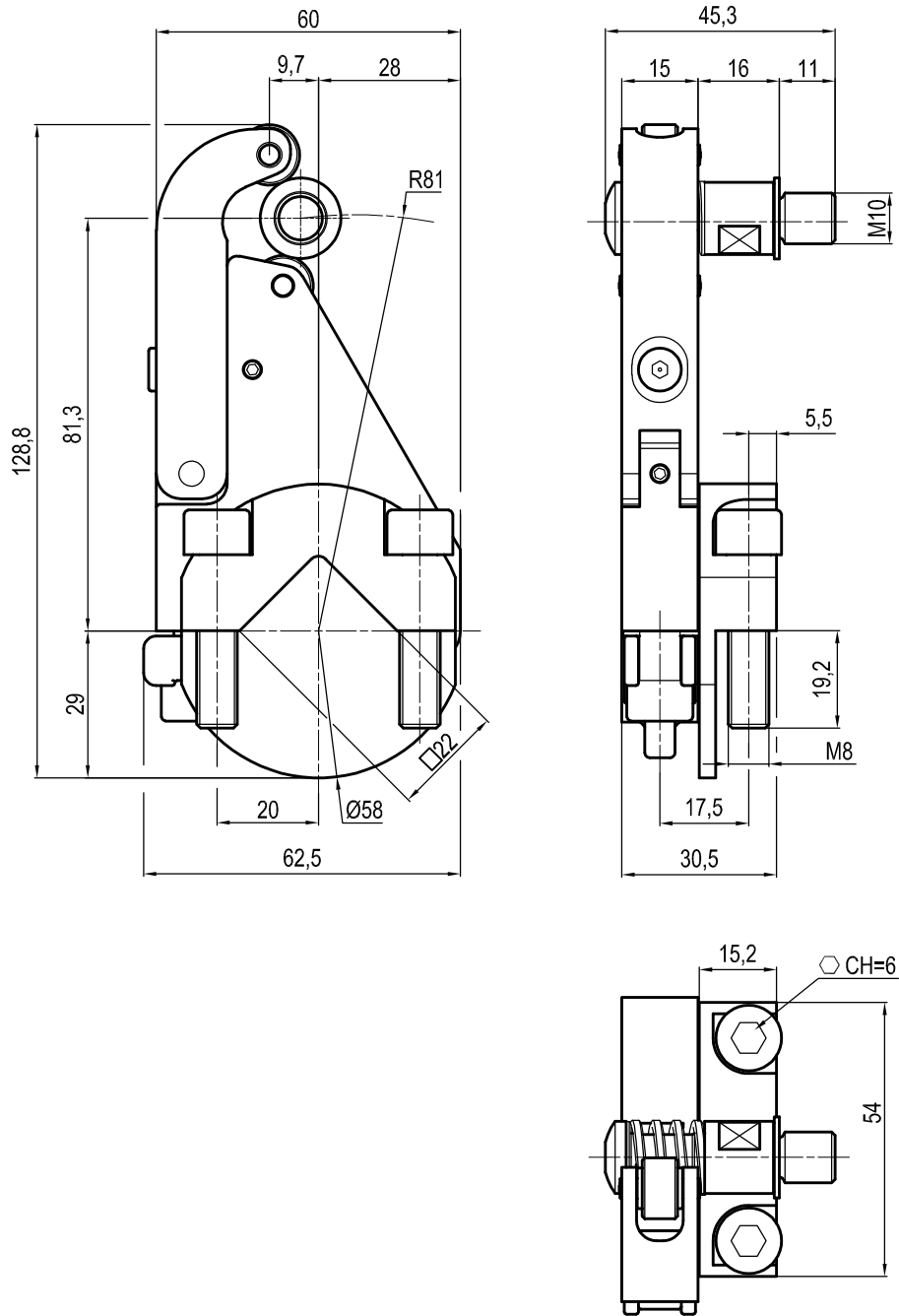
□19 mm self holding



Clamp size	Material	Weight
50	Aluminium / Steel	0.45 Kg

Subject to technical modification without notice.

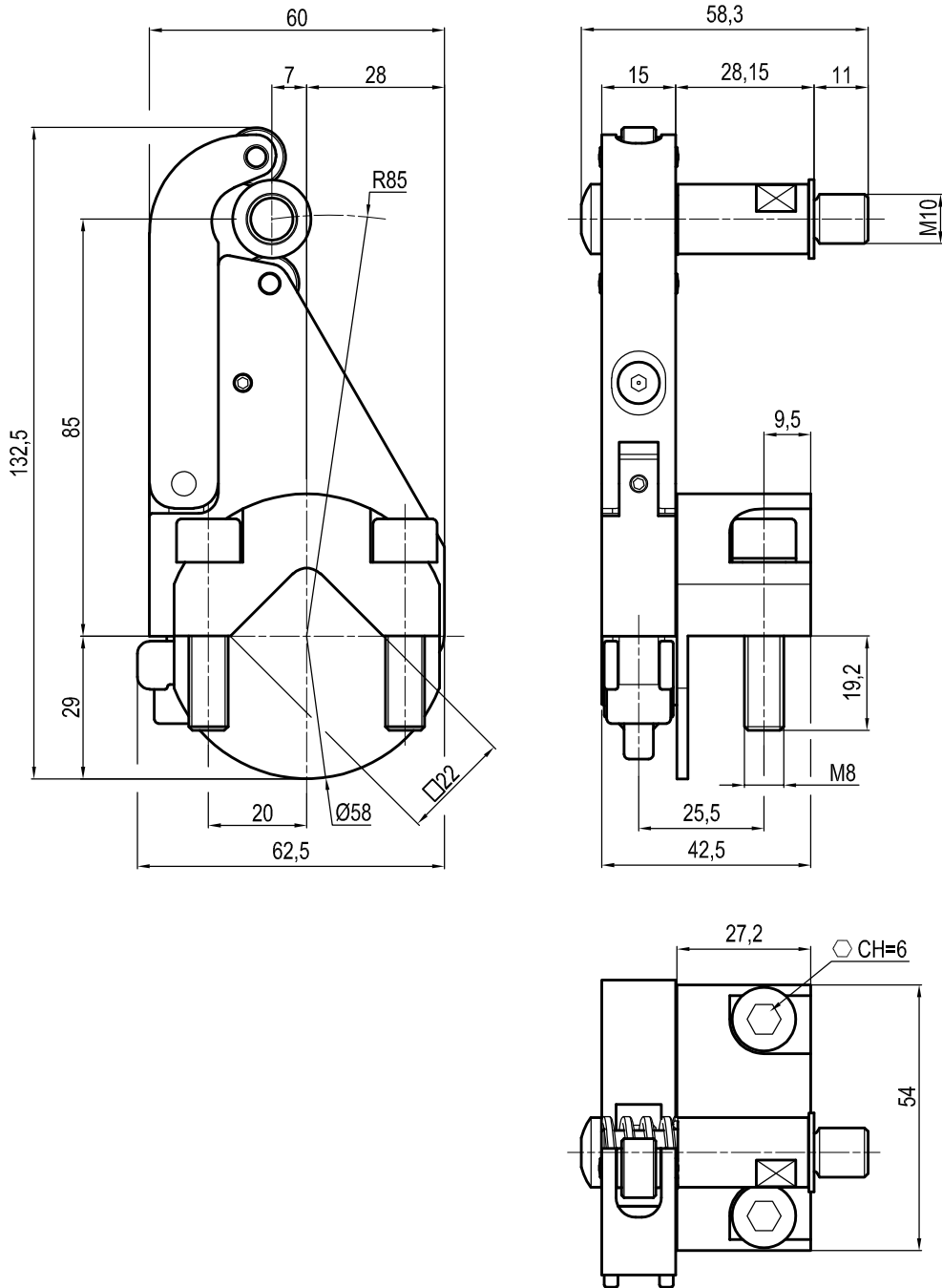
□22 mm self holding



Clamp size	Material	Weight
63	Aluminium / Steel	0.5 Kg

Subject to technical modification without notice.

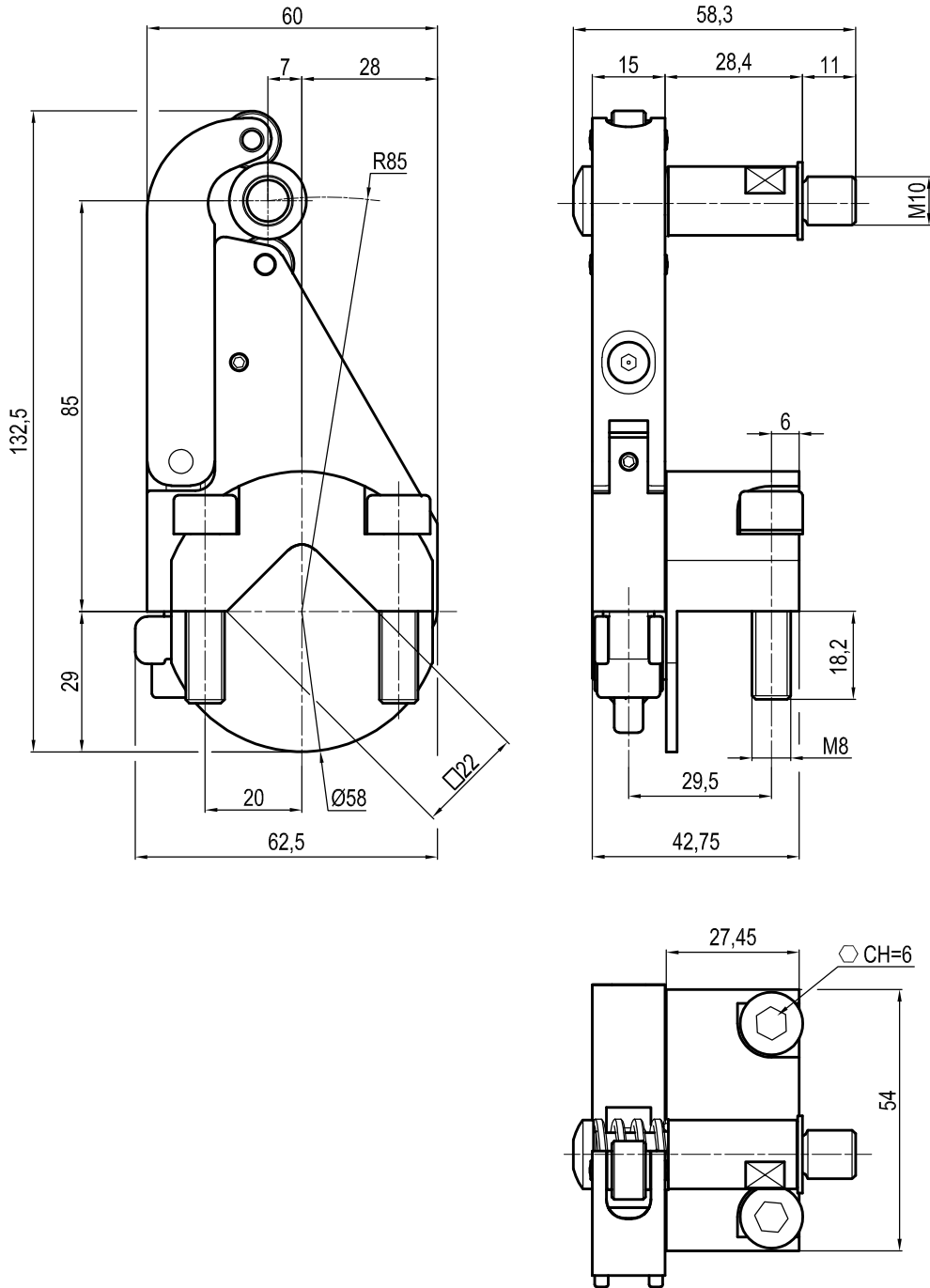
□22 mm self holding



Clamp size	Material	Weight
63	Aluminium / Steel	0.6 Kg

Subject to technical modification without notice.

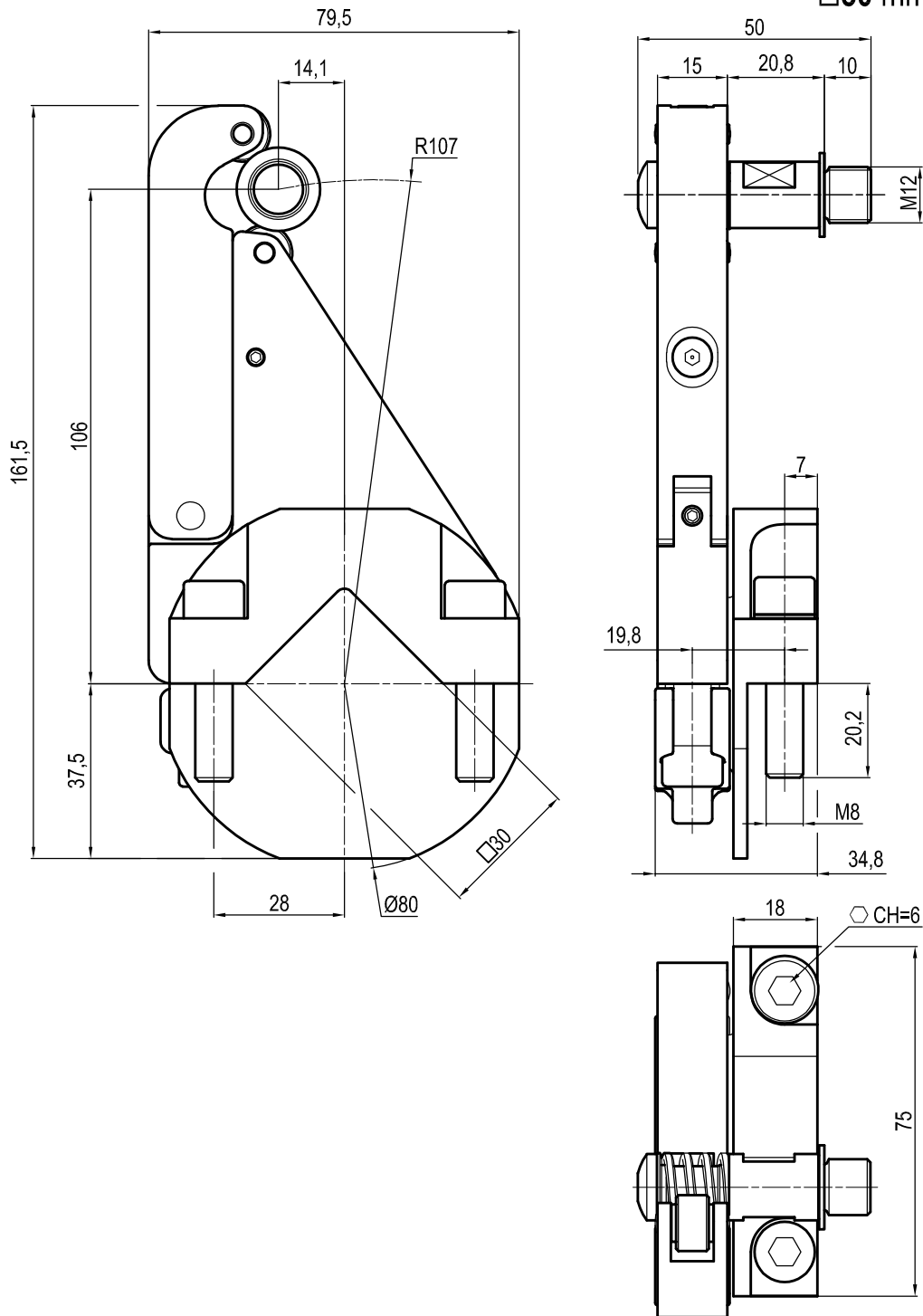
□22 mm self holding



Clamp size	Material	Weight
63	Aluminium / Steel	0.6 Kg

Subject to technical modification without notice.

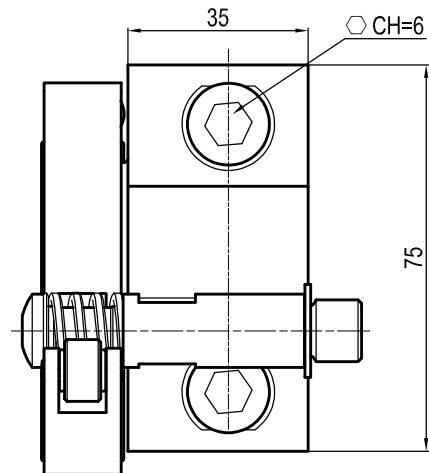
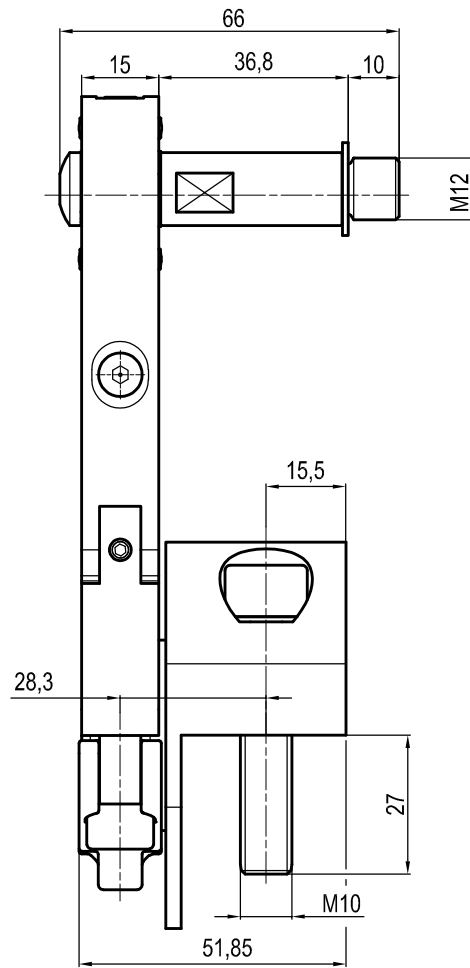
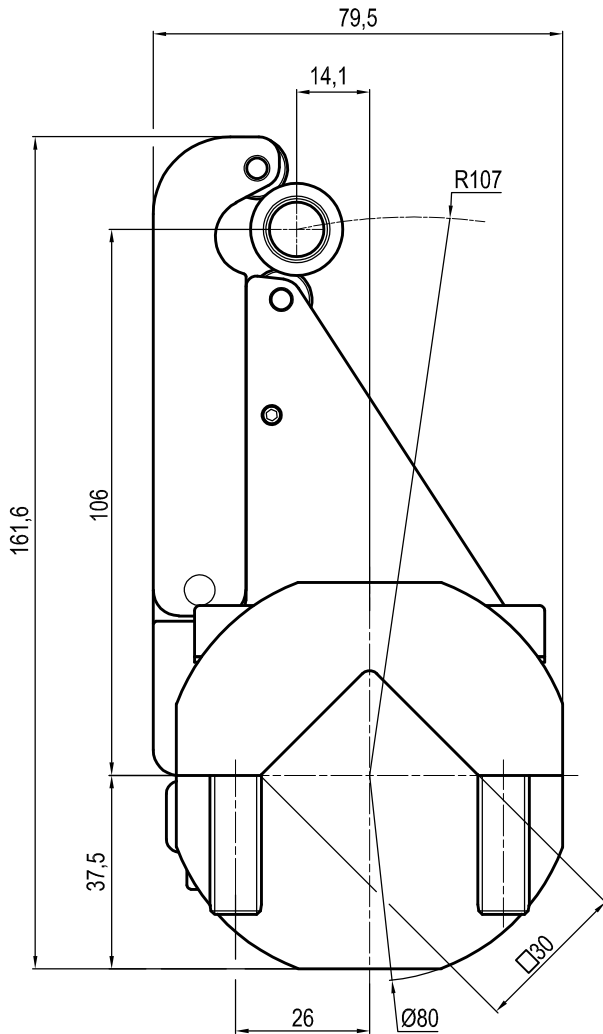
□30 mm self holding



Clamp size	Material	Weight
80	Aluminium / Steel	0.85Kg

Subject to technical modification without notice.

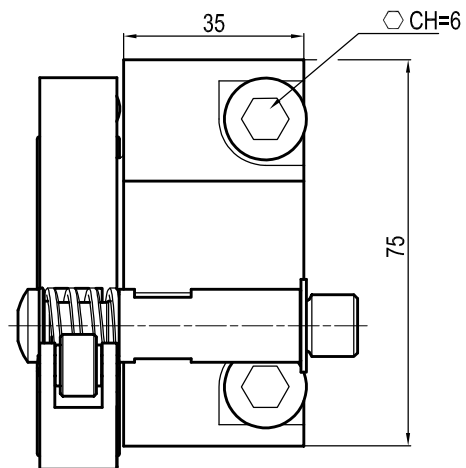
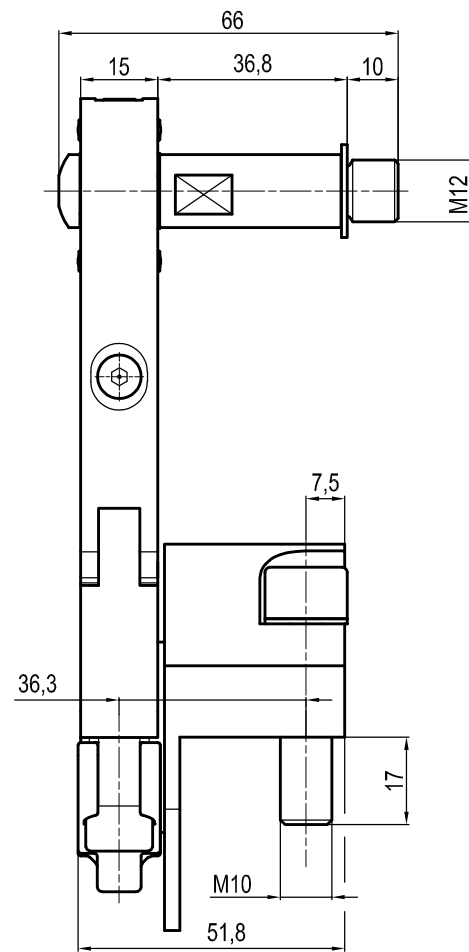
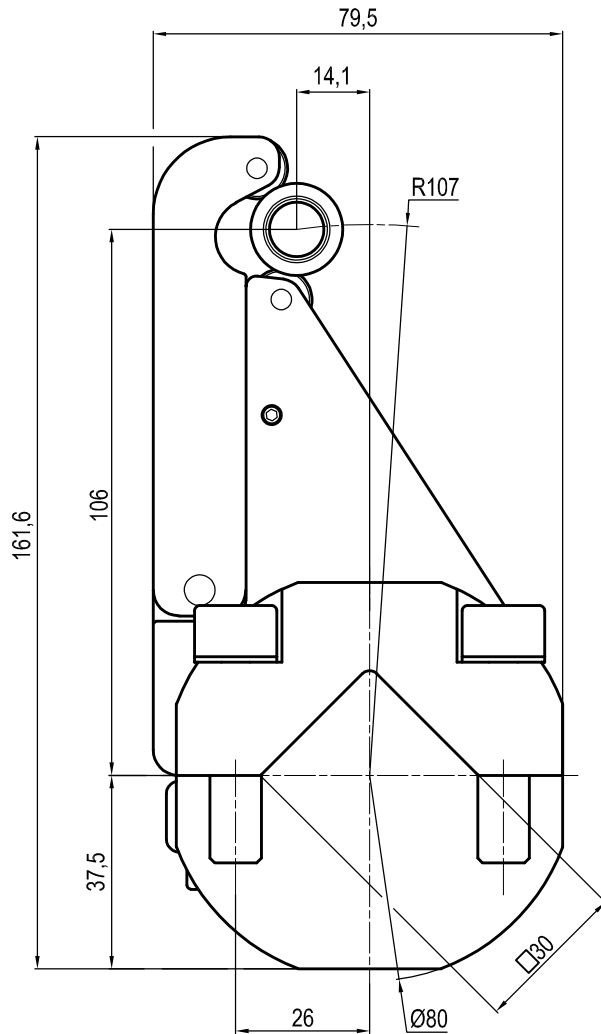
□30 mm self holding



Clamp size	Material	Weight
80	Aluminium / Steel	1Kg

Subject to technical modification without notice.

□30 mm self holding



Clamp size	Material	Weight
80	Aluminium / Steel	1Kg

Subject to technical modification without notice.