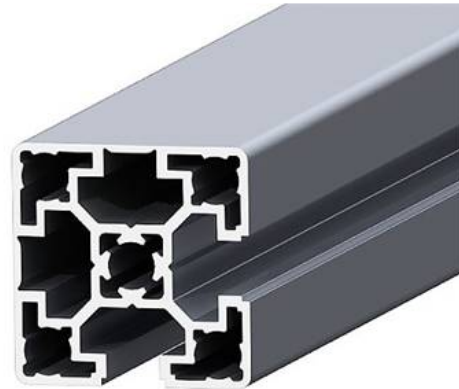
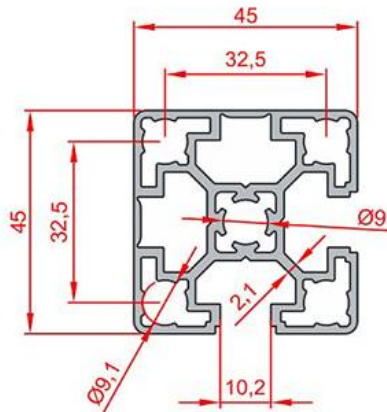


45X45 CLOSED SIGMA PROFILE



General Specifications

The covered external slots ensure hygiene and stylish view.
 Hygiene makes it compatible for food and pharmaceutical industry.
 Profiles, which are left out after assembly, can be covered by cap.

Stock Code	Stock Name	External Dimensions	Material	L(mm)	Ix	Iy	Wx	Wy	Area	Mass
1.1.10.045045.05	45x45 Closed Sigma Profile	45x45	6063	6000	11,78 cm ⁴	11,78 cm ⁴	5,24 cm ³	5,24 cm ³	5,90 cm ²	1,59 Kg/m