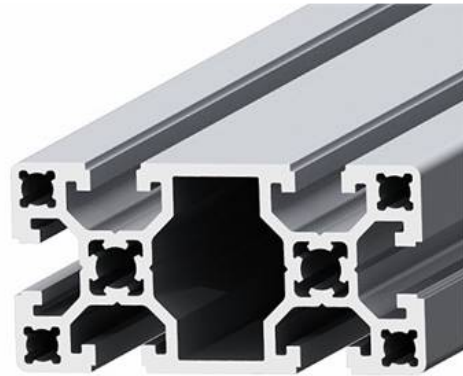
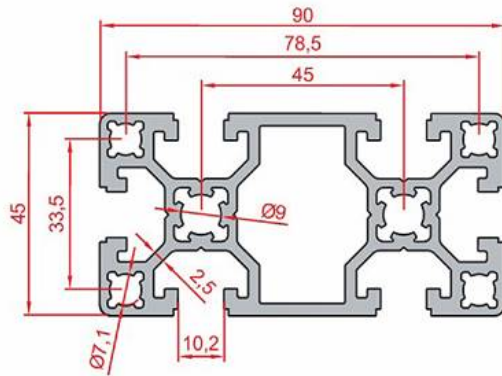


## 45X90 HEAVY SIGMA PROFILE



## General Specifications

Can be preferred in side connections of machine frames, resistant constructions, line groups and bodies with pneumatic connection.

Stock Code	Stock Name	External Dimensions	Material	L(mm)	I <sub>x</sub>	I <sub>y</sub>	W <sub>x</sub>	W <sub>y</sub>	Area	Mass
1.1.10.045090.01	45x90 Heavy Sigma Profile	45x90	6063	6000	108,14 cm <sup>4</sup>	28,67 cm <sup>4</sup>	24,03 cm <sup>3</sup>	12,74 cm <sup>3</sup>	12,86 cm <sup>2</sup>	3,47 Kg/m