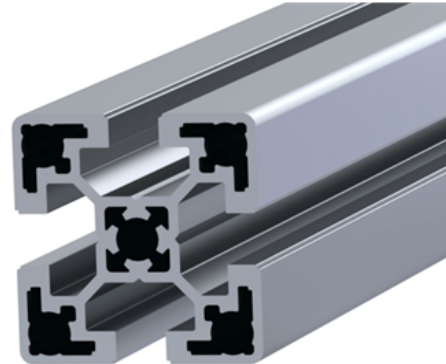
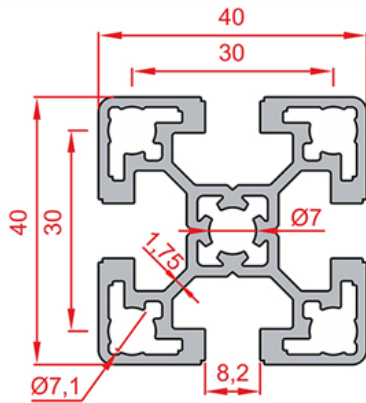


40X40 LIGHT SIGMA PROFILE



General Specifications

Can be used on light frames, general cabin applications and conveyor frame feet.  
 Applicable on light construction structures, board, frame and compartment feet, platform beans etc.

Stock Code	Stock Name	External Dimensions	Material	L(mm)	Ix	Iy	Wx	Wy	Area	Mass
1.1.08.040040.02	40x40 Light Sigma Profile	40x40	6063 T5	6000	8.49 cm <sup>4</sup>	8.49cm <sup>4</sup>	4.25 cm <sup>3</sup>	4.25 cm <sup>3</sup>	5.40 cm <sup>2</sup>	1.46 Kg/m