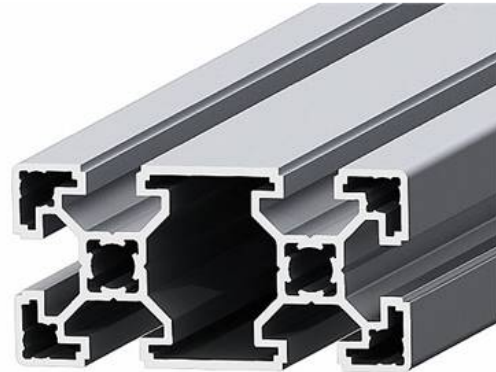
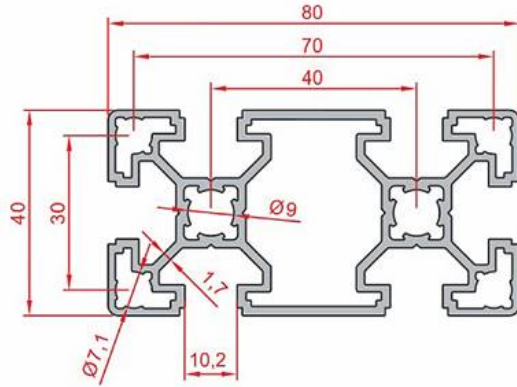


40X80 SIGMA PROFILE



General Specifications

Suitable for use in frame applications and platforms of structures with light construction.

Stock Code	Stock Name	External Dimensions	Material	L(mm)	Ix	Iy	Wx	Wy	Area	Mass
1.1.10.040080.02	40x80 Sigma Profile e Light	40x80	6063 T5	6000	49,98 cm ⁴	13,13 cm ⁴	12,49 cm ³	6,56 cm ³	7,67 cm ²	2,07 Kg/m