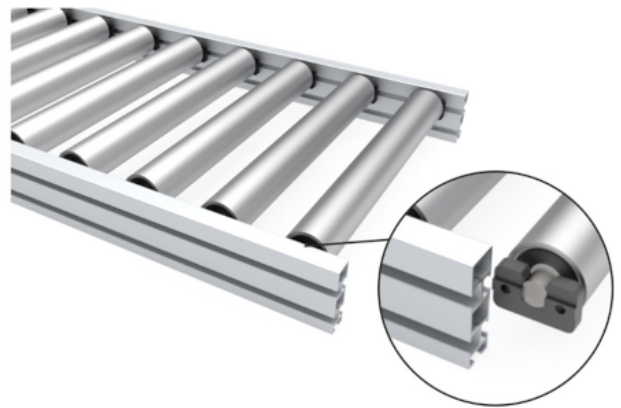
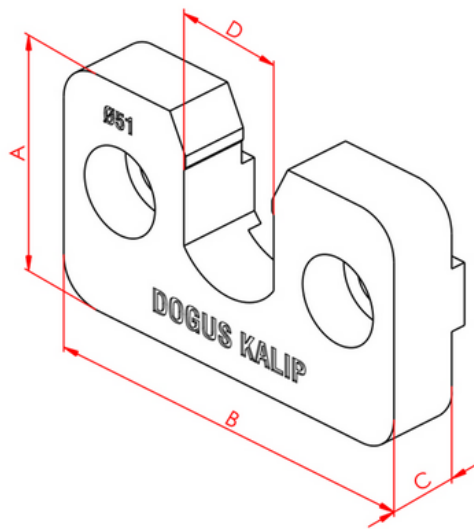


ROLL BED



General Specifications

This is a connection accessory that provides holding surface for opening and closing of movable parts.
Ensures stylish view together with other accessories applied on constructions.

Stock Code	Stock Name	A	B	C	D	Material	Weight (gr)
3.006.01.50	Roll Bed Ø50	25	50,5	7,5	8	Nylon	10,66
3.006.01.51	Roll Bed Ø51	30	51,5	9	14	Nylon	14,55