

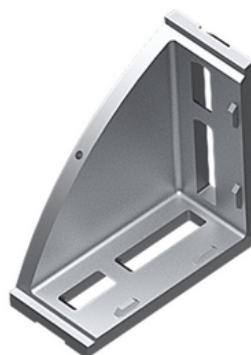
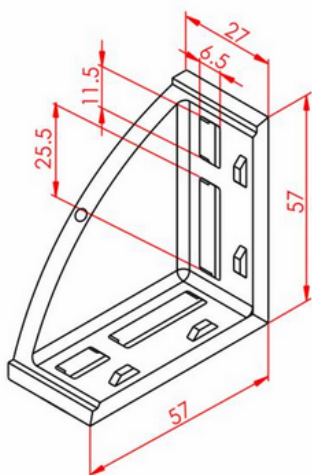
Fasteners preferred for assembly operations of constructions where high strength is required.

This fastener enables forming corner and T connections.

Genuine profile caps ensure hygiene and stylish view.

Stock Code	Stock Name	Material	Weight (gr)
2.2.001.06.2040.04	20x40 Long Corner Bracket	Etial 150 Aluminium	14

30X60 LONG CORNER BRACKET



General Specifications

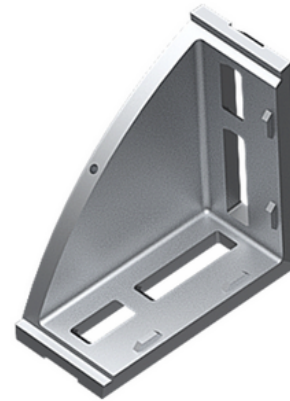
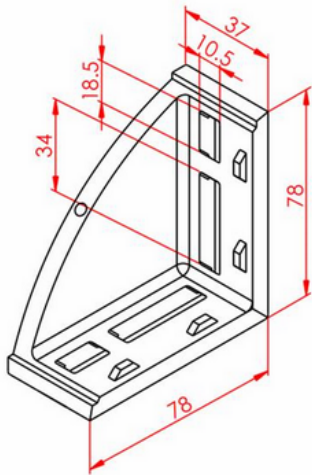
Fasteners preferred for assembly operations of constructions where high strength is required.

This fastener enables forming corner and T connections.

Genuine profile caps ensure hygiene and stylish view.

Stock Code	Stock Name	Material	Weight (gr)
2.2.001.08.3060.04	30x60 Long Corner Bracket	Etial 150 Aluminium	48

40X80 LONG CORNER BRACKET



General Specifications

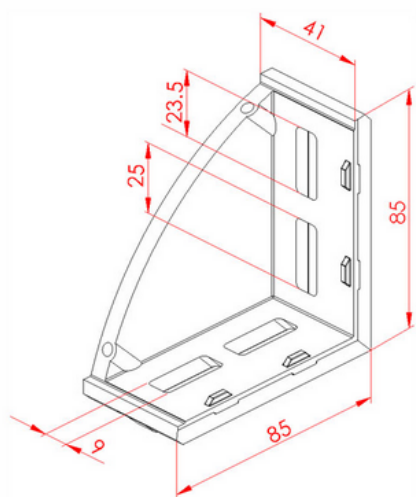
Fasteners preferred for assembly operations of constructions where high strength is required.

This fastener enables forming corner and T connections.

Genuine profile caps ensure hygiene and stylish view.

Stock Code	Stock Name	Material	Weight (gr)
2.2.001.10.4080.04	40x80 Long Corner Bracket	Etial 150 Aluminium	114

45X90 LONG CORNER JOINT



General Specifications

This fastener is preferred in assembly applications of constructions that require high resistance.

The fastener enables corner and T-connections.

Genuine profile caps ensure hygiene and stylish view.

Stock Code	Stock Name	Material	Weight (gr)
2.2.001.10.4590.04	45x90 Long Corner Joint	Etial 150 Alüminyum	142