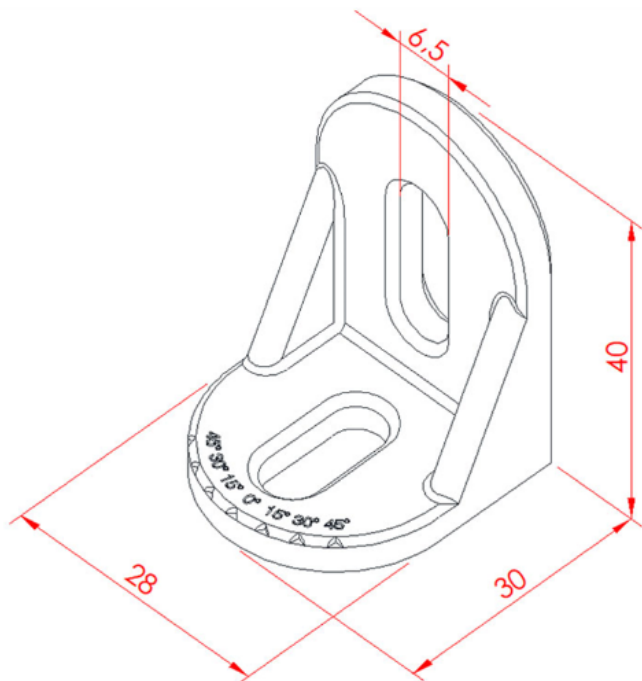
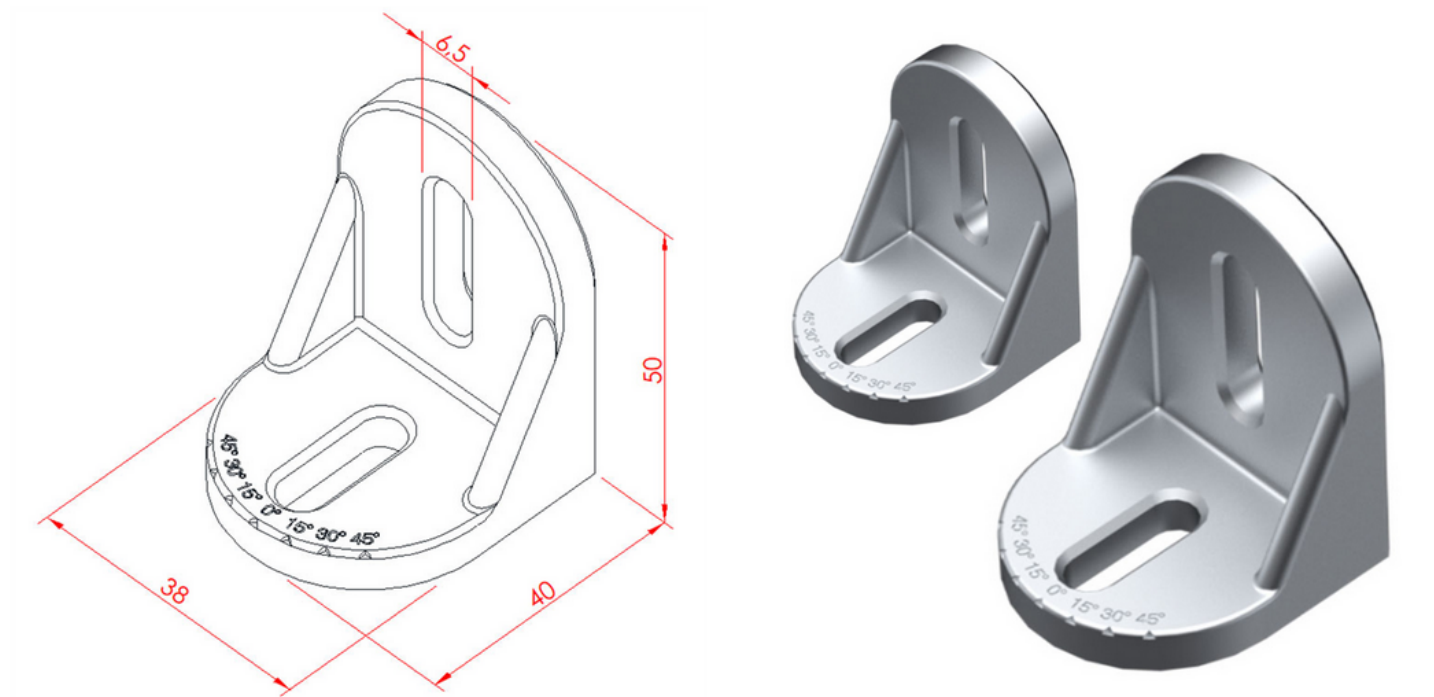


**30X35 ADJUSTABLE ANGLE CORNER BRACKET**

**General Specifications**

It is preferred for practical connections of light-loaded constructions. Panel, frame and simple chassis applications are some of the usage areas. It provides the opportunity to create connections up to 45 degrees in assembly applications. It is possible to connect to profile channels from outside.

Stock Code	Stock Name	Material	Weight (gr)
2.2.001.00.3035.06	30x35 Adjustable Angle Corner Bracket	Alüminyum	21

## 40X45 ADJUSTABLE ANGLE CORNER BRACKET



## General Specifications

It is preferred for practical connections of light-loaded constructions. Panel, frame and simple chassis applications are some of the usage areas. It provides the opportunity to create connections up to 45 degrees in assembly applications. It is possible to connect to profile channels from outside.

Stock Code	Stock Name	Material	Weight (gr)
2.2.001.00.4045.06	40x45 Adjustable Angle Corner Bracket	Aluminyum	44