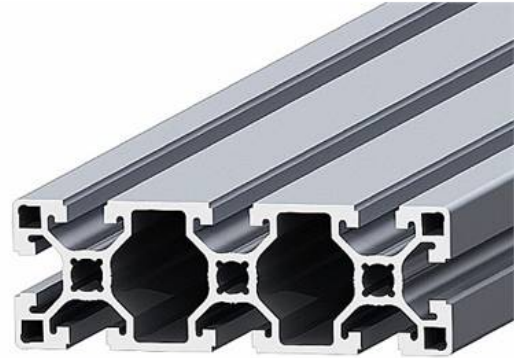
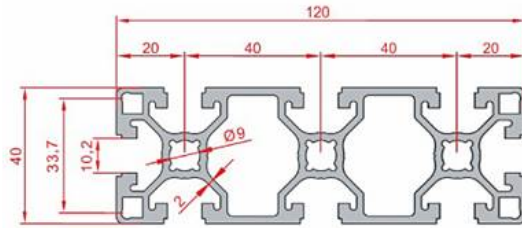


## 40X120 SIGMA PROFILE



## General Specifications

Preferred for use on machine constructions subject to load and resistant frame applications.  
 Triple slot ensures strong connection.  
 Elegant view can be ensured by closing unused slots.

Stock Code	Stock Name	External Dimensions	Material	L(mm)	I <sub>x</sub>	I <sub>y</sub>	W <sub>x</sub>	W <sub>y</sub>	Area	Mass
1.1.10.040120.02	40x120 Sigma Profile	40x120	6063	6000	200,5 cm <sup>4</sup>	25,7 cm <sup>4</sup>	33,4 cm <sup>2</sup>	12,8 cm <sup>2</sup>	13,93 cm <sup>2</sup>	3,76 Kg/m