

R1100

Brass high pressure regulator,
for compressed air, gas and liquids



FEATURES

High pressure regulator for cylinder or manifold; standard version inlet pressure up to 220 bar (3190 psi), higher pressure for special versions.

Ideal for industrial applications and welding equipment.

Cylinder connections according to UNI standard, other connections available on request.

Outlet pressure up to 15 bar (218 psi) is controlled by a diaphragm; greater outlet pressures are controlled by a piston.

Available the ATEX version

Brand $\text{CE} \text{ II 2GDcllCX}$.

For use in potentially explosive zones:
1, 21, 2, 22 (not for mines and zone 0).

The product complies with the directive
97/23/CE (PED)

SPECIFICATIONS

Gauges: accuracy class 1,6

Regulator weight: ~4 Kg (~8,8 lb)

Regulator weight HF version: ~4.6 Kg (~10,1 lb)

Standard version operating temperature -20°C ÷ +60°C (-4°F ÷ 140°F)

Main valve leakage classification: VI (bubble tight)

Flow coefficient: $K_v = 0.15 \text{ Nm}^3/\text{h}$ ($C_v = 0,18 \text{ US gal/min}$)

Degree of protection: IP25

MATERIALS

Body and bonnet: brass

Internal parts: brass

Adjusting spring: C85 (not in contact with the fluid)

Main valve spring: stainless steel AISI 302

Diaphragm (for outlet pressure up to 15 bar): two coupled diaphragms NBR+PTFE, PTFE in contact with the fluid

Piston (for greater outlet pressure): brass

O-rings: EPDM or FPM depending on the fluid (other compounds available on request)

Main valve gasket: PA 6.6 (EPDM for PS 15 bar)

ACCESSORIES

Ring-nut 0DU80301

Kit bracket and ring-nut M1B101

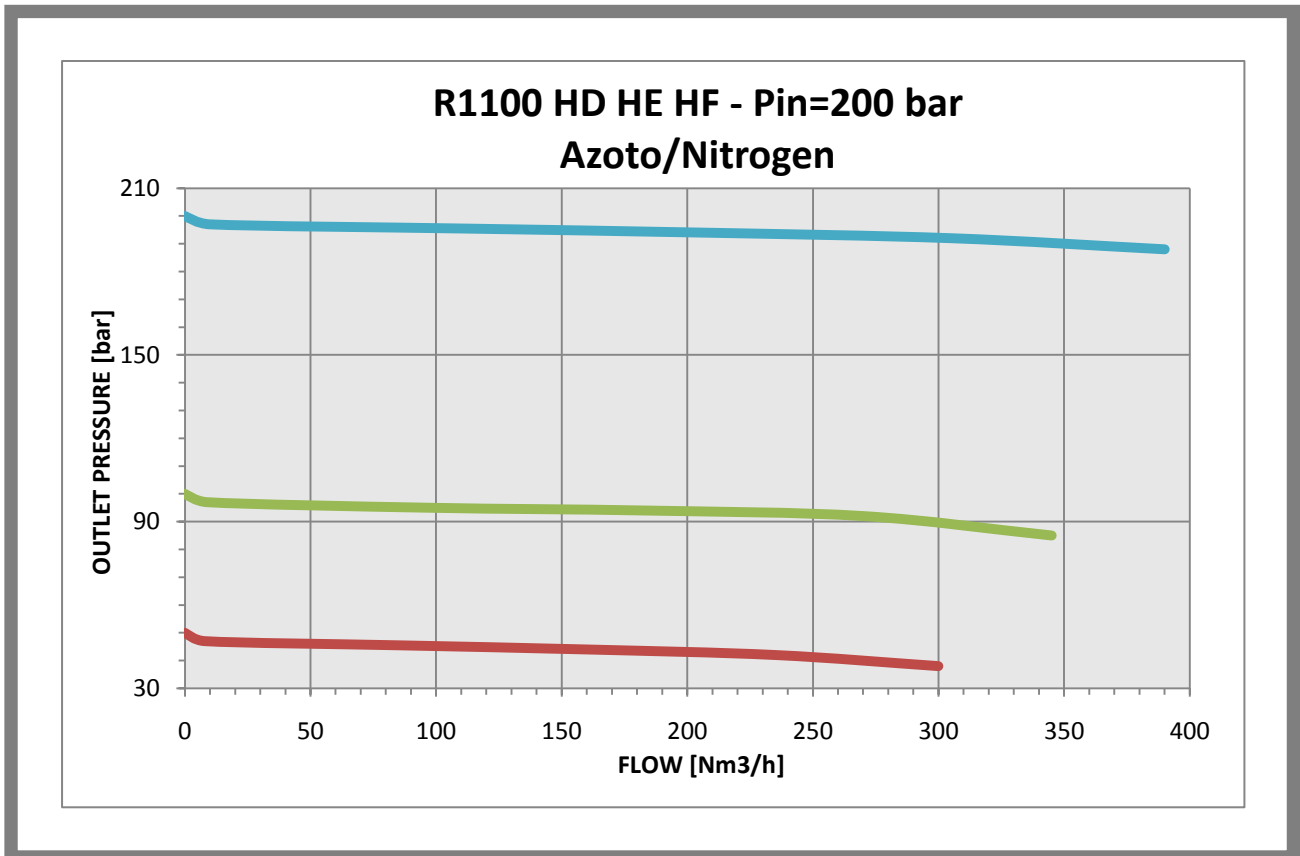
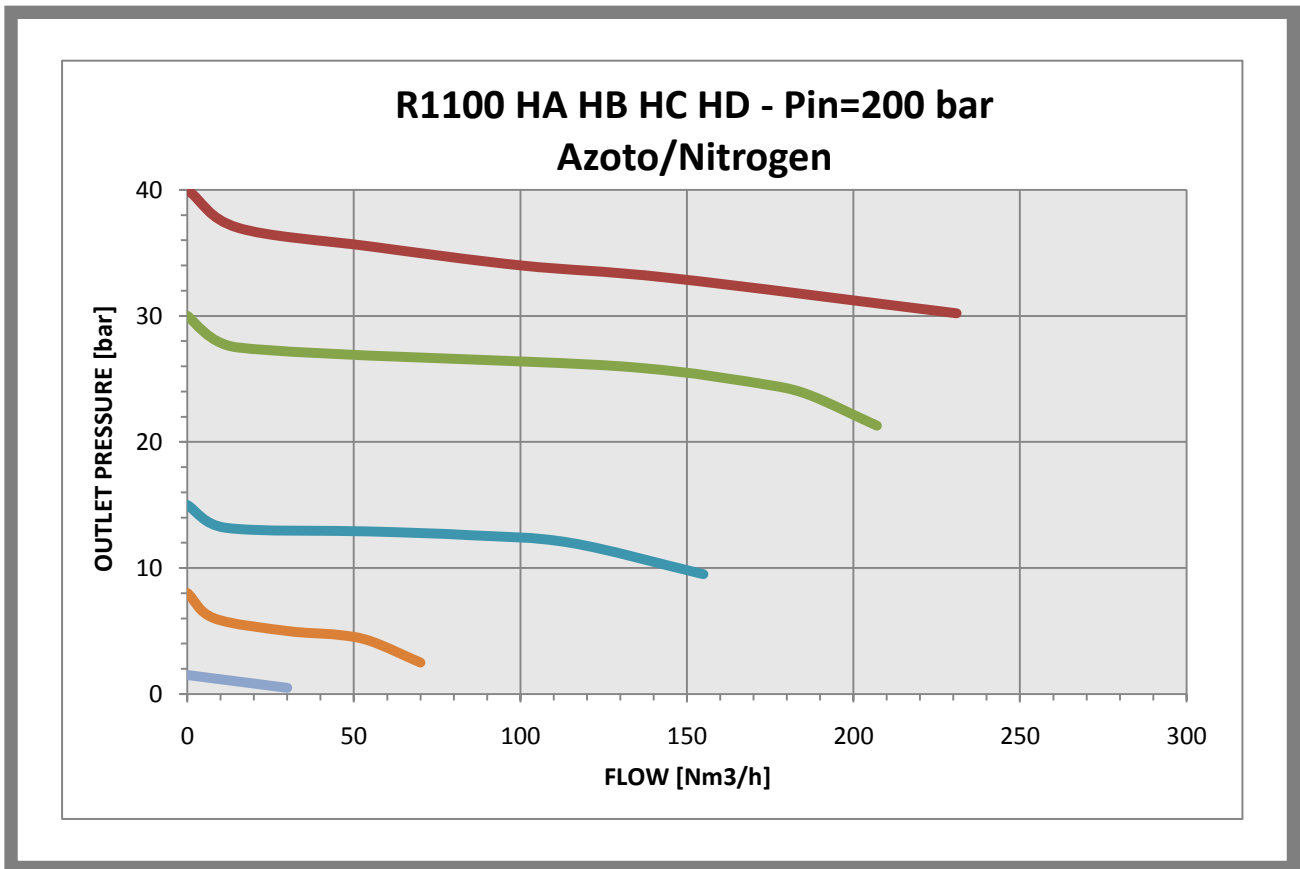
SPARE PARTS

Gauges

Relief valve

Complete kit: gaskets, assembled diaphragm, filter, main valve, O-rings

flow charts



available model types

Corpo da lavorazione di barra tonda, attacco entrata per bombola a norme UNI
Body by machining round bar, inlet connection to bottle according to standard UNI

TYPE	PS bar	P.Out bar	CONNECTION OUT	CODE	MEDIUM
					R1100
R1100 LA	15	0,2-1,5	G 1/2-M	1100#	C2H2
R1100 MA	80	0,8-8	G 1/2-M	1100#	CO2 - N2O
R1100 MB	80	1,5-15	G 1/2-M	1100#	CO2 - N2O
R1100 MC	80	3-30	G 3/8-F	1100#	CO2 - N2O
R1100 MD	80	5-50	G 3/8-F	1100#	CO2 - N2O
R1100 HA	220	0,8-8	G 1/2-M	1100#	O2
					H2 - CH4
					Aria - N2 - Ar - He
R1100 HB	220	1,5-15	G 1/2-M	1100#	O2
					H2 - CH4
					Aria - N2 - Ar - He
R1100 HC	220	3-30	G 3/8-F	1100#	O2
					H2 - CH4
					Aria - N2 - Ar - He
R1100 HD	220	5-50	G 3/8-F	1100#	O2
					H2 - CH4
					Aria - N2 - Ar - He
R1100 HE	220	10-100	G 3/8-F	1100#	O2
					H2 - CH4
					Aria - N2 - Ar - He
R1100 HF	220	20-200	G 3/8-F	1100#	O2
					H2 - CH4
					Aria - N2 - Ar - He

MEDIUM	CONNECTION IN	UNI
C2H2	Staffa bombola / Bracket bottle	7S-UNI 11144
	Rampa / Manifold	1H-UNI 11144
	Codolo bombola / Bottle connection	7F-UNI 11144
CO2	Bombola_Rampa / Bottle_Manifold	2-UNI 11144
N2O	Bombola / Bottle	9-UNI 11144
	Rampa / Manifold	2-UNI 11144
O2	Bombola_Rampa / Bottle_Manifold	2-UNI 11144
Aria	Bombola / Bottle	6-UNI 11144
	Rampa / Manifold	2-UNI 11144
N2	Bombola / Bottle	5-UNI 11144
	Rampa / Manifold	2-UNI 11144
Ar - He	Bombola / Bottle	8-UNI 11144
	Rampa / Manifold	2-UNI 11144
H2 - CH4	Bombola_Rampa / Bottle_Manifold	1H-UNI 11144

ATTACCHI DIVERSI DA STANDARD / CONNECTION DIFFERENT FROM STANDARD

Attacchi in/out diversi da standard (G 3/8-F nel corpo, nipples esterni G 1/2-F - G 1/2-M - 1/2"NPT-F) / Connections different from standard (G 3/8-F in body , external nipples G 1/2-F - G 1/2-M - 1/2"NPT-F)

Attacchi bombola diversi da standard UNI / Bottle connection different from Italian standard UNI (DIN 477, CGA, NFE 29- Attacco entrata rampa, esclusi CO2, O2, H2, CH4 / inlet connection for manifold, not for CO2, O2, H2, CH4

ESECUZIONI DIVERSE DA STANDARD / EXECUTIONS DIFFERENT FROM STANDARD

Pressione ingresso 250-300 bar / Inlet pressure 250-300 bar

Pressione ingresso 350-400 bar / Inlet pressure 350-400 bar

Pressione uscita pretarata / Pre-set outlet pressure

Pressione uscita tarata fissa / Fixed outlet pressure

O-ring secondo FDA / O-ring in accordance to FDA

O-ring FPM / O-ring FPM

O-ring speciali / Special O-ring

Convogliamento su campana e Valvola di sovrappressione / Venting on bonnet and over pressure Valve

Versione idonea per liquidi / Execution for liquid

Versione regolatore pilotato / Dome loaded version

Cromatura-nichelatura / Chrome-Nichel plating

Stampigliatura su specifica del cliente / Not standard branding

Versione ATEX / ATEX version

Temperature diverse da standard / Special temperature range

Versione Relieving / Relieving version

Sgrassato uso O2 / Degreased for O2

ACCESSORI / ACCESSORIES

Ghiera ODU80301 / Ring nut ODU80301

Kit staffa + ghiera M1B101 / Kit bracket and Ring nut M1B101

generating the product code

REGOLATORE R1100 Ottone			
AA BB CC DD E FF			
AA	Attacchi / Connections	00	Vedi tipo fluido, tabella DD
BB	Pressione ingresso / Inlet pressure	B0	PS 15 bar L
		J0	PS 220 bar H
		L0	PS 80 bar M
CC	Intervallo uscita / Outlet range	A0	AQ - Pout 0,2 - 1,5 bar
		D0	AQ - Pout 0,8 - 8 bar
		E0	BQ - Pout 1,5 - 15 bar
		F0	CQ - Pout 3 - 30 bar
		G0	DQ - Pout 5 - 50 bar
		V0	FQ - Pout 20 - 200 bar
		X0	EQ - Pout 10 - 100 bar
DD	Tipologia di fluido / Fluid type	15	O2 PED CLASSE III
		U1	1H - UNI 11144 PED CLASSE III
		U2	2 - UNI 11144
		U5	5 - UNI 11144
		U6	6 - UNI 11144
		U7	7S - UNI 11144 - C2H2
		U8	8 - UNI 11144
		U9	9 - UNI 11144
		E	Marchiato / Marked
Z	Dir ATEX 94/9 CE		
FF	Accessori / Accessories	00	Nessun accessorio
		05	Pretarato ...
		11	Convogliata

CODE COMPOSITION EXAMPLE

1100# 00 J0 E0 U8 I 00

1100#: Regulator R1100 in brass

00: Connection depending on the fluid according to the table DD

J0: Maximum inlet pressure 220 bar

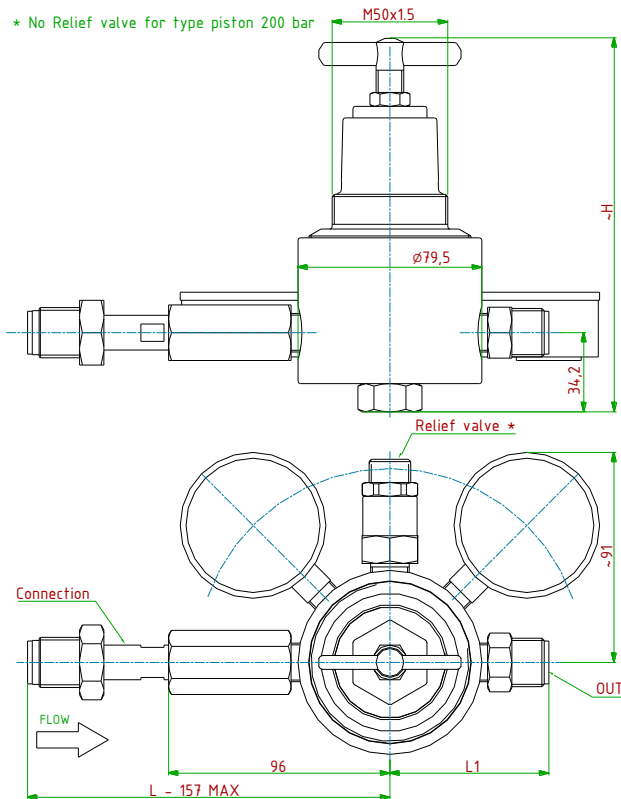
E0: Outlet pressure range 1,5-15 bar

U8: Cylinder inlet connection according to standard UNI 8-UNI11144

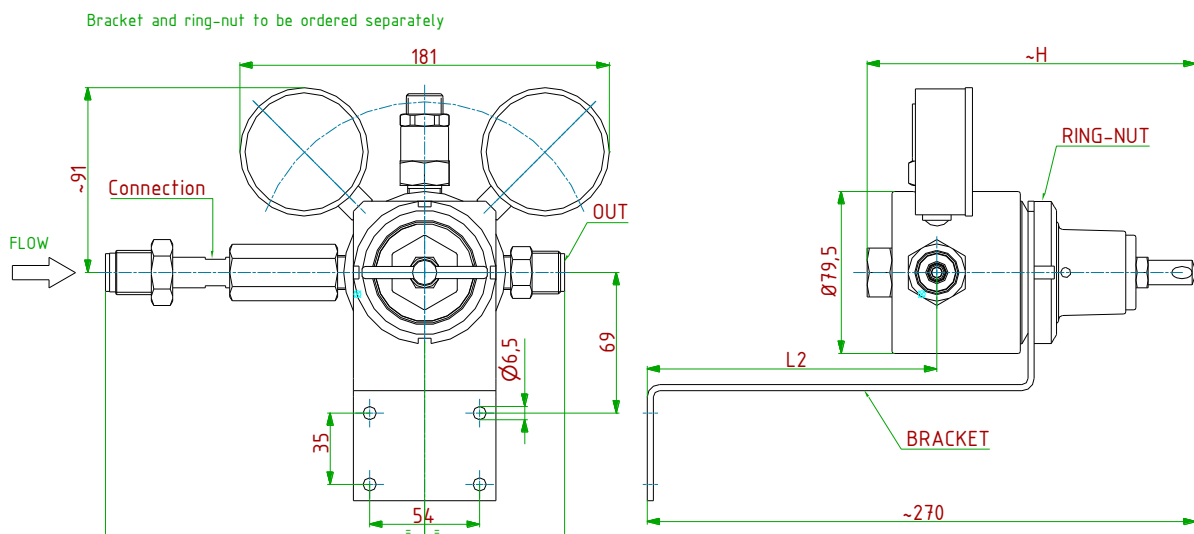
I

00: No accessories

technical drawings (all dimensions in mm)



TYPE	OUT	~H	L1
Diaphragm	G 1/2-M	162	69
Piston 30/50 bar	G 3/8-F	164	Thread in the body without connection
Piston 200 bar	G 3/8-F	182	Thread in the body without connection



TYPE	OUT	~H	L1	L2
Diaphragm	G 1/2-M	162	69	142
Piston 30/50 bar	G 3/8-F	164	Thread in the body without connection	140
Piston 200 bar	G 3/8-F	182	Thread in the body without connection	122

ID Insert Deal Srl

Strada dei Boschi, 40
20852 Villasanta (MB) Italia
tel. +39 039 302035
info@idinsertdeal.com
www.idinsertdeal.com

ID Insert Deal si riserva il diritto di cambiare le specifiche del prodotto senza preavviso.
ID Insert Deal reserves the right to change and/or modify product specifications without prior notice.

Insert Deal non si assume alcuna responsabilità per la scelta, uso e manutenzione di qualsiasi prodotto. La responsabilità per l'ideale scelta, uso e manutenzione di qualsiasi prodotto ID rimane interamente a carico dell'acquirente.

Insert Deal does not assume responsibility for selection, use and maintenance of any products. Responsibility for proper selection, use and maintenance of any ID products remains entirely to the purchaser.

Riproduzione vietata. Tutti i diritti riservati; nessuna parte del presente documento può essere riprodotta senza autorizzazione di ID Insert Deal Srl.
Reproduction forbidden. All rights reserved; the hereby document can't be reproduced, also partially, without the authorization of ID Insert Deal Srl.

1^S -1100 - R1100_EN_00



Azienda con sistema di gestione qualità certificato.
certificato N° 50 100 9191
Company with certificated quality management system.
certificate N° 50 100 9191