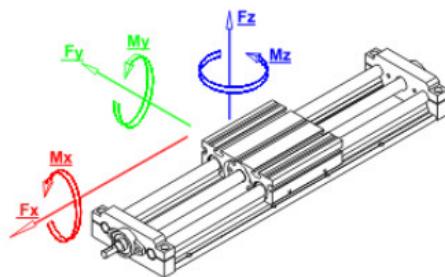
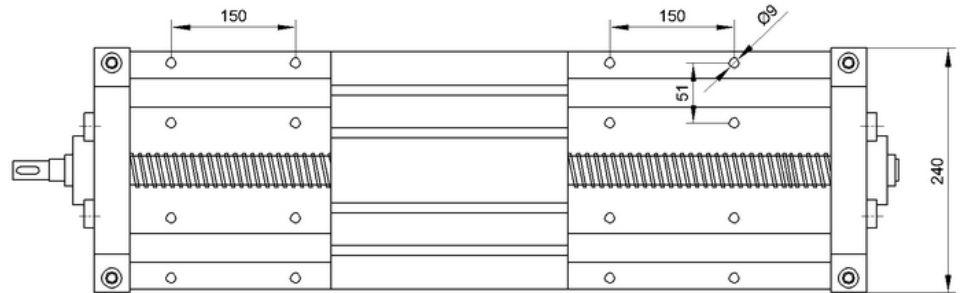
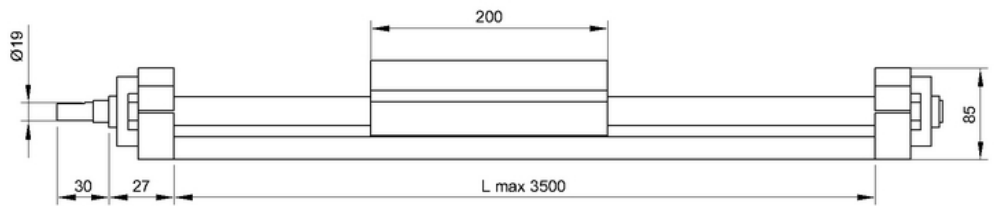
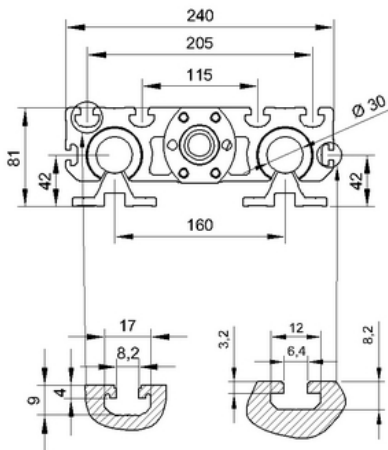




Stock Code	Stock Name	Plate Length	Ball Screw Brand	Ball Screw	Induction Shaft	Maximum Speed
5.02.02.400240.03.0500	Ø 30 Dkvm Module	200 mm	DKM	32x05	Ø30 CF53 h7	0,21 mt/sn
5.02.02.400240.03.1000	Ø 30 Dkvm Module	200 mm	Gten	32x05	Ø30 CF53 h7	0,21 mt/sn
5.02.02.400240.03.1500	Ø 30 Dkvm Module	200 mm	DKM	32x10	Ø30 CF53 h7	0,40 mt/sn
5.02.02.400240.03.2000	Ø 30 Dkvm Module	200 mm	Gten	32x10	Ø30 CF53 h7	0,40 mt/sn

Body; Profile (Aluminium 6063)
Positioning Accuracy ; 0,2 mm



■ F_x	(N)	912
■ F_y	(N)	2950
■ F_z	(N)	3450
Moment		
■ M_x	(Nm)	410
■ M_y	(Nm)	290
■ M_z	(Nm)	280