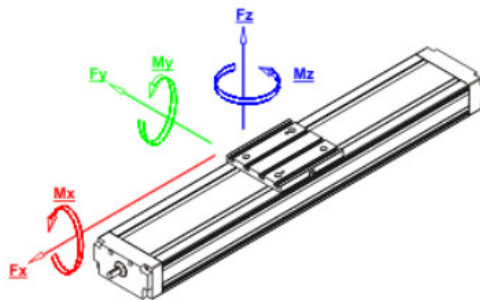
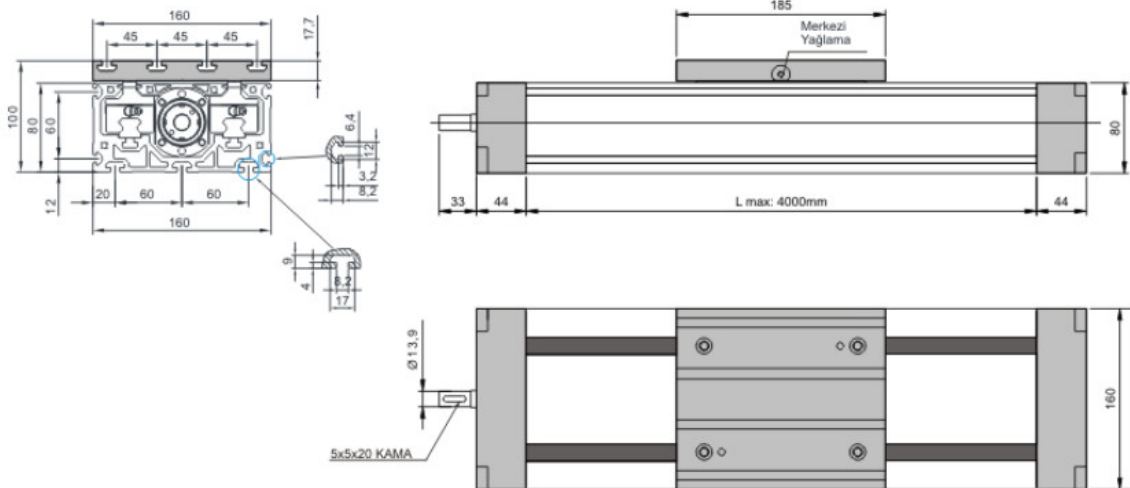




| Stock Code             | Stock Name                   | Plate Length | Ball Screw Brand | Ball Screw | Linear Rail Brand | Linear Rail | Maximum Speed |
|------------------------|------------------------------|--------------|------------------|------------|-------------------|-------------|---------------|
| 5.02.01.080160.01.0500 | 80x160 Linear Compact Module | 185 mm       | DKM              | 25x10      | DMS               | GHR 20      | 0,34 mt/sn    |
| 5.02.01.080160.01.1000 | 80x160 Linear Compact Module | 185 mm       | Glen             | 25x10      | THK               | HSV 20      | 0,34 mt/sn    |
| 5.02.01.080160.01.1500 | 80x160 Linear Compact Module | 185 mm       | DKM              | 20x20      | DMS               | GHR 20      | 0,52 mt/sn    |
| 5.02.01.080160.01.2000 | 80x160 Linear Compact Module | 185 mm       | Glen             | 20x20      | THK               | HSV 20      | 0,52 mt/sn    |

Body ; 80x160 Profile (Aluminium 6063) T5  
Positioning Accuracy ; 0,01 mm



|  |      |      |
|--|------|------|
| <span style="color: red;">■</span> $F_x$   | (N)  | 1850 |
| <span style="color: green;">■</span> $F_y$ | (N)  | 4400 |
| <span style="color: blue;">■</span> $F_z$  | (N)  | 5760 |
| <span style="color: red;">■</span> $M_x$   | (Nm) | 650  |
| <span style="color: green;">■</span> $M_y$ | (Nm) | 440  |
| <span style="color: blue;">■</span> $M_z$  | (Nm) | 440  |