

Stock Code	Stock Name	Plate Length	Timing-Belt	Linear Rail Brand	Linear Rail	Maximum Speed
5.03.01.080080.01.0501	80x80 Linear Timing Belt Compact Module	180 mm	5M 30	DMS	GHR 20	5 mt/sn
5.03.01.080080.01.0500	80x80 Linear Timing Belt Compact Module	240 mm	5M 30	DMS	GHR 20	5 mt/sn
5.03.01.080080.01.1001	80x80 Linear Timing Belt Compact Module	180 mm	5M 30	THK	HSV 20	5 mt/sn
5.03.01.080080.01.1000	80x80 Linear Timing Belt Compact Module	240 mm	5M 30	THK	HSV 20	5 mt/sn

Body ; 80x80 Profile (Aluminium 6063) T5

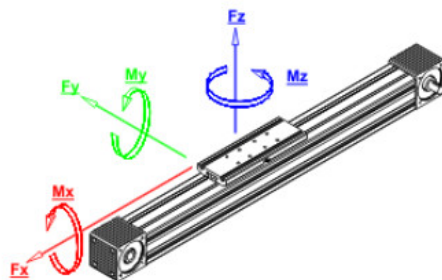
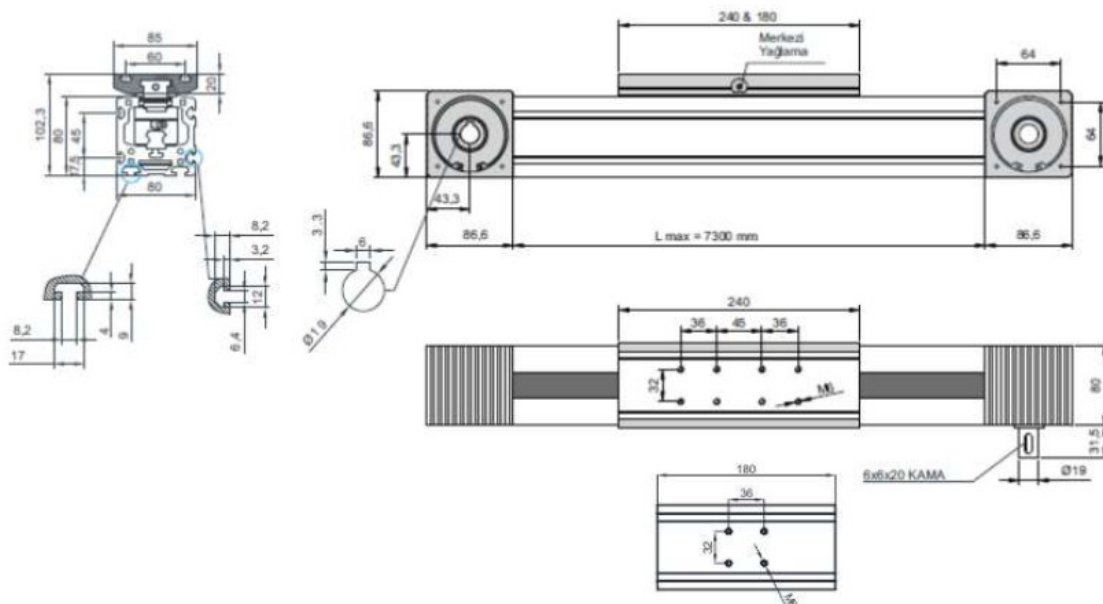
Movement Distance Per Tour ; 200 mm

Timing Pulley ; 5m-F30 Z=40

Belt Tensile Force ; 2000 N

Timing Belt Pitch ; 5 mm

Positioning Accuracy ; 0,1 mm



<span style="color: red;">■</span> $F_x$	(N)	750
<span style="color: green;">■</span> $F_y$	(N)	2330
<span style="color: blue;">■</span> $F_z$	(N)	2080
<b>Moment</b>		
<span style="color: red;">■</span> $M_x$	(Nm)	155
<span style="color: green;">■</span> $M_y$	(Nm)	184
<span style="color: blue;">■</span> $M_z$	(Nm)	172



Stock Code	Stock Name	Plate Length	Timing-Belt	Induction Shaft	Maximum Speed
5.3.03.080080.1.02.4.0500	80x80 Roller Timing Belt Compact Module	270 mm	5M 30	Ø12 CF53 h7	8 mt/sn

Body ; 80x80 Profile (Aluminium 6063) T5

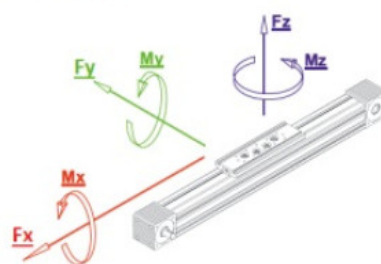
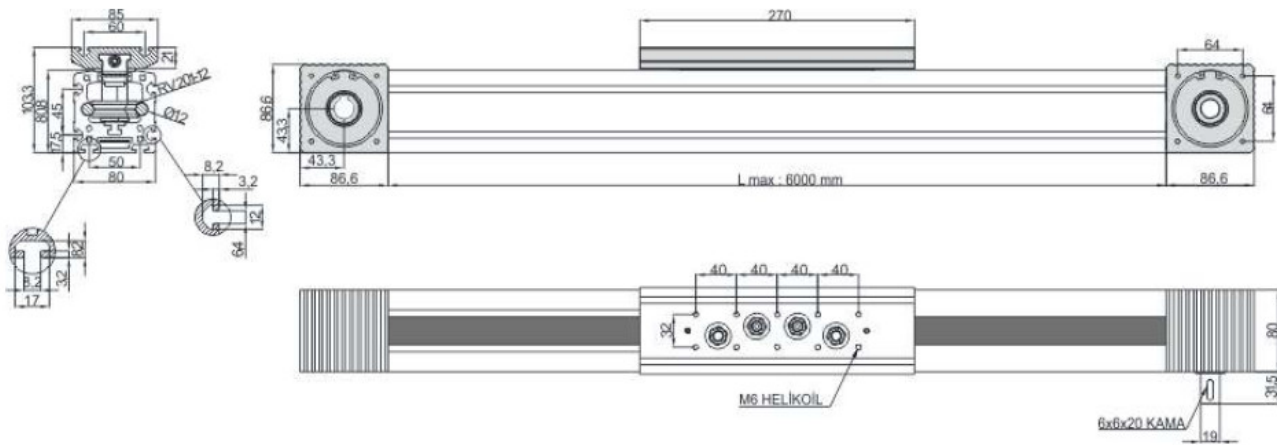
Movement Distance Per Tour ; 200 mm

Timing Pulley ; 5m-F30 Z=40

Belt Tensile Force ; 2000 N

Timing Belt Pitch ; 5 mm

Positioning Accuracy ; 0,1 mm



<span style="color: red;">■</span> F <sub>x</sub>	(N)	/
<span style="color: green;">■</span> F <sub>y</sub>	(N)	2000
<span style="color: blue;">■</span> F <sub>z</sub>	(N)	2400
<b>Moment</b>		
<span style="color: red;">■</span> M <sub>x</sub>	(Nm)	162
<span style="color: green;">■</span> M <sub>y</sub>	(Nm)	426
<span style="color: blue;">■</span> M <sub>z</sub>	(Nm)	730