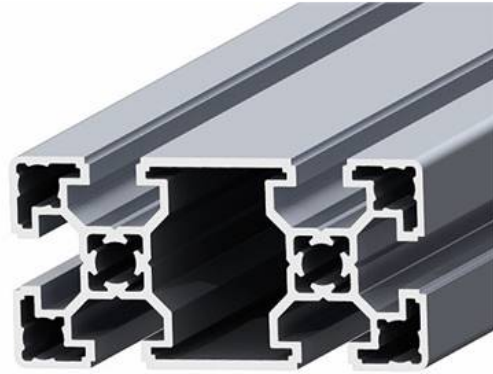
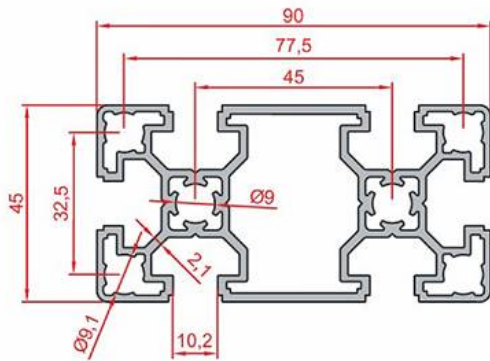


## 45X90 LIGHT SIGMA PROFILE



## General Specifications

Light series are preferred in automation applications with low vibration not exposed to load and lighter construction formations.

Stock Code	Stock Name	External Dimensions	Material	L(mm)	Ix	Iy	Wx	Wy	Area	Mass
1.1.10.045090.02	45x90 Light Sigma Profile	45x90	6063	6000	78,98 cm <sup>4</sup>	20,74 cm <sup>4</sup>	17,5 cm <sup>3</sup>	9,2 cm <sup>3</sup>	9,63 cm <sup>2</sup>	2,60 Kg/m