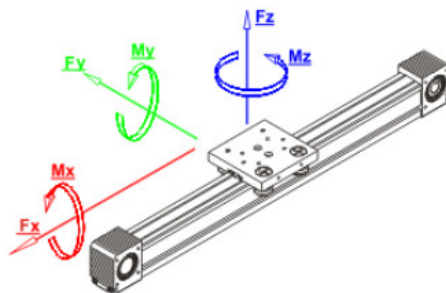
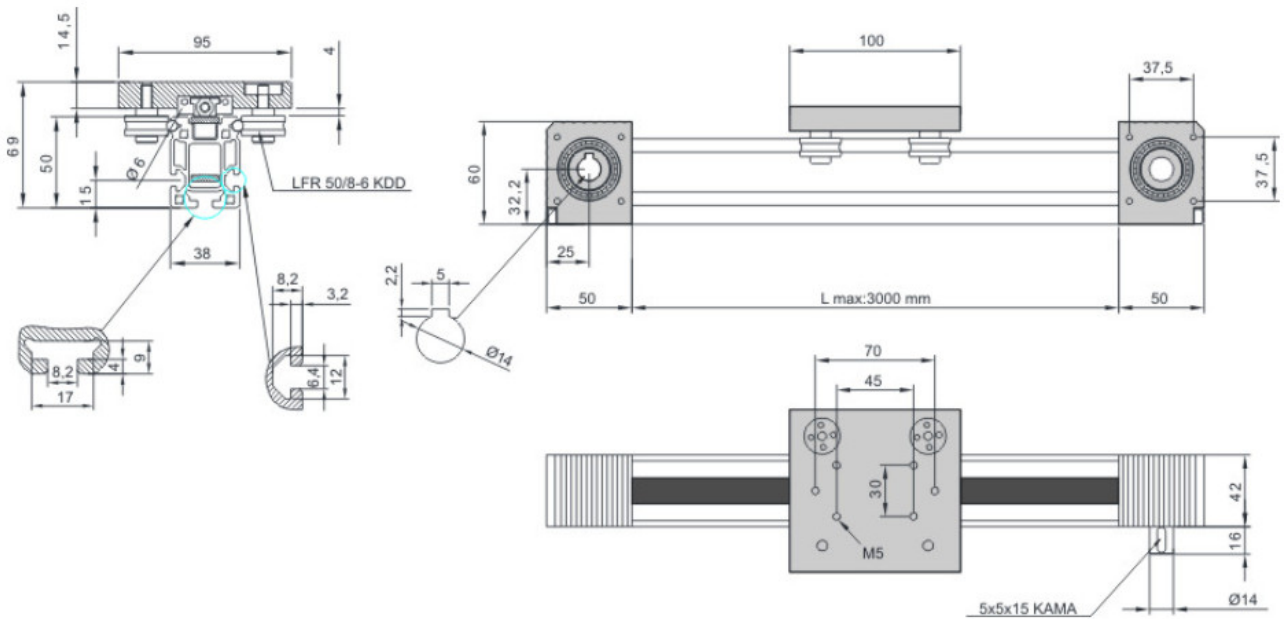


Stock Code	Stock Name	Plate Length	Timing-Belt	Induction Shaft	Maximum Speed
5.3.03.038050.1.01.2	38x50 Roller Timing Belt Module	100 mm	5M 16	Ø6 CF53 h7	3 mt/sn

Body ; 38x50 Profile (Aluminium 6063) T5
Movement Distance Per Tour ; 105 mm
Timing Pulley ; 5M-F16 Z=21
Belt Tensile Force ; 1500 N
Timing Belt Pitch ; 5 mm
Positioning Accuracy ; 0,2 mm



■ F_x	(N)	320
■ F_y	(N)	800
■ F_z	(N)	1000
Moment		
■ M_x	(Nm)	90
■ M_y	(Nm)	150
■ M_z	(Nm)	80