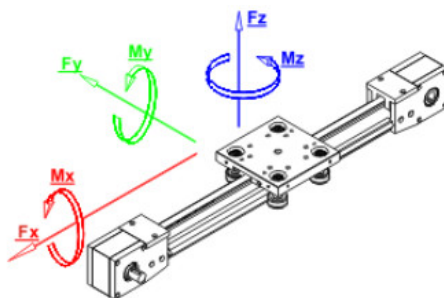
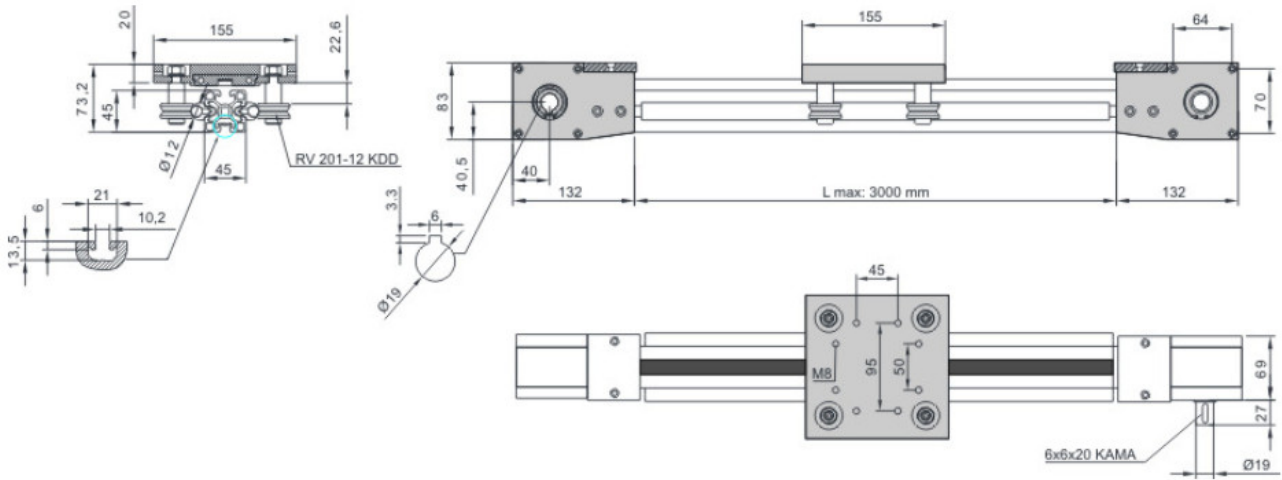


Stock Code	Stock Name	Plate Length	Timing-Belt	Induction Shaft	Maximum Speed
5.03.05.045045.02.0500	45x45 Roller Timing Belt Module	155 mm	5M 16	Ø12 CF53 h7	5 m/sn

Body ; 45x45 Profile (Aluminium 6063) T5
Movement Distance Per Tour ; 150 mm
Timing Pulley ; 5M-F16 Z=30
Belt Tensile Force ; 1500 N
Timing Belt Pitch ; 5 mm
Positioning Accuracy ; 0,2 mm



■ F _x	(N)	640
■ F _y	(N)	1100
■ F _z	(N)	1100
■ M _x	(Nm)	115
■ M _y	(Nm)	110
■ M _z	(Nm)	145