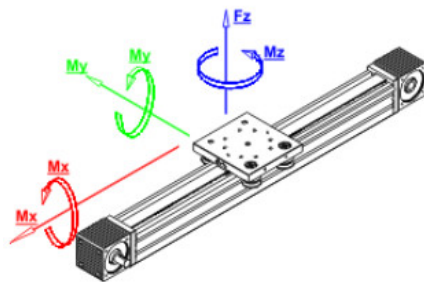
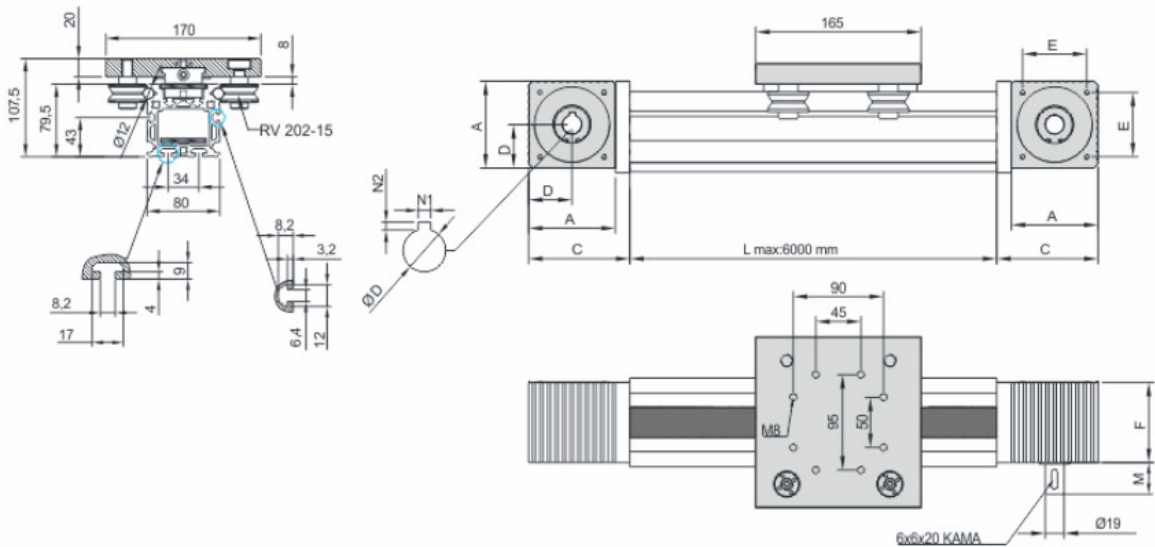


Stock Code	Stock Name	Plate Length	Timing-Belt	Induction Shaft	Maximum Speed
5.3.03.080080.1.02.2	80x80 Roller Timing Belt Module	165 mm	5M 30	Ø12 CF53 h7	5 mt/sn
5.3.03.080080.1.03.2	80x80 Roller Timing Belt Module	165 mm	8M 50	Ø12 CF53 h7	6 mt/sn

Body ; 80x80 Profile (Aluminium 6063) T5
Movement Distance Per Tour ; 200 mm - 192 mm
Timing Pulley ; 5M-F30 Z=40 & 8M-F50 Z=24
Belt Tensile Force ; 2000 - 3000 N
Timing Belt Pitch ; 5 mm - 8 mm
Positioning Accuracy ; 0,2 mm



■ F _x	(N)	640
■ F _y	(N)	2030
■ F _z	(N)	2530
Moment		
■ M _x	(Nm)	150
■ M _y	(Nm)	145
■ M _z	(Nm)	175