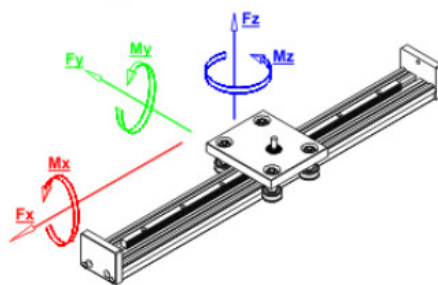
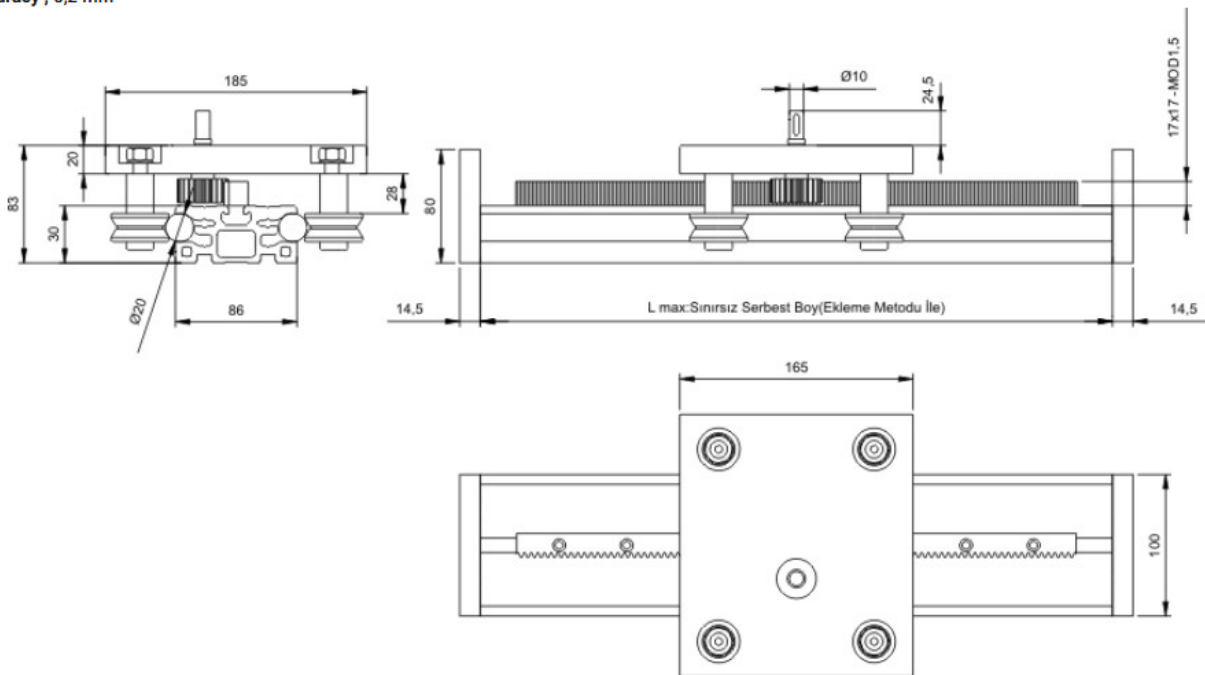


Stock Code	Stock Name	Plate Length	Rack & Pinion	Induction Shaft	Maximum Speed
5.04.07.040086.02.0500	Ø20 Rack and Pinion Block Module	185 mm	Mod 1,5 Straight	Ø20 CF53 h7 470N	1,65 mt/sn

**Body ; 40x86 Profile (Aluminium 6063) T5**  
**Movement Distance Per Tour ; 103,62 mm**  
**Pinion ; Mod:1,5 Z:22**  
**Gear Step ; 4,71 mm**  
**Positioning Accuracy ; 0,2 mm**



<span style="color: red;">■</span> $F_x$	(N)	Ø20
<span style="color: green;">■</span> $F_y$	(N)	1260
<span style="color: blue;">■</span> $F_z$	(N)	1870
<b>Moment</b>		
<span style="color: red;">■</span> $M_x$	(Nm)	95
<span style="color: green;">■</span> $M_y$	(Nm)	85
<span style="color: blue;">■</span> $M_z$	(Nm)	115