

cmatic®



XT Line

Clamp Solutions for Sanitary Applications

The Clamp connection style fitting is a perfect solution for all applications requiring the Cleaning in Place (C.I.P) sanitation procedure. The assembly and disassembly of a Clamp fitting is very easy and does not require the use of any tool.

The fitting is made of Stainless steel only and guarantees a secure, smooth, uniform connection between two surfaces. Cmatic boasts a long experience in the production of Stainless Steel fittings and couplings suitable for harsh aggressive environments and today is proud to expand the product offer to a new range, the XT Clamp line for Pharma, Biotech, Cosmetics, Food & Beverage, Chemical applications and in general all those market segments, where a high degree of hygiene is requested. The dimension of the XT Clamp is compliant with the ASME BPE norm.

Clamp Solutions for Sanitary Applications

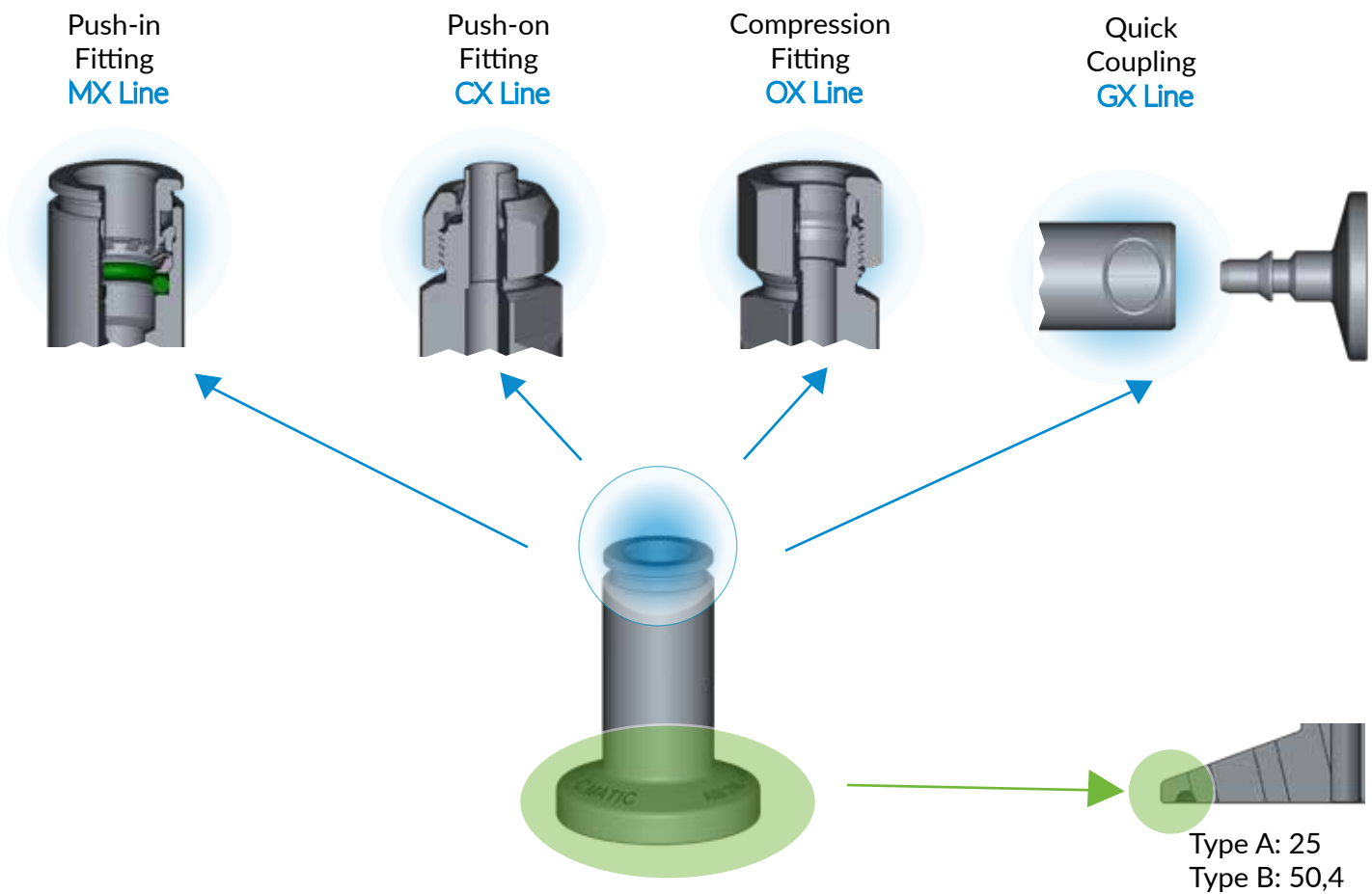
XT is a unique line of Clamp Fittings including three different types of tube connections: Push-in, Compression style and Push-on. A quick coupling is also available.

Cmatic XT line is designed to perfectly meet Sanitary Applications requirements and needs (especially Food, Pharma, Biotech, and Cosmetics just to name a few). The internal product finishing is SF1 class.

The XT Line is also NSF/ANSI 169 certified.

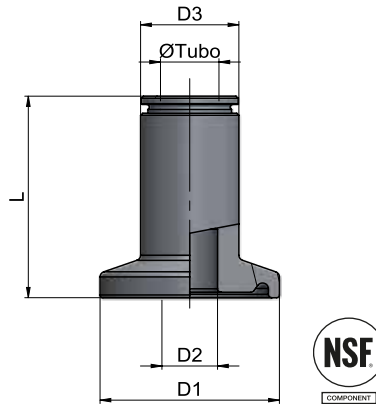


Same Clamp system, 4 different styles



MX 11 XT

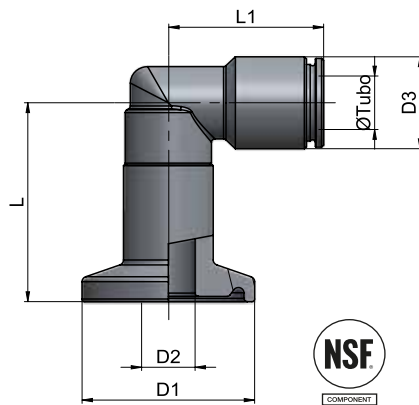
Clamp to Push-in fitting



Type	ØTube	D1	D2	D3	L
MX11 06 XT D25	6	25	4,55	12	29,5
MX11 06 XT D50,4	6	50,4	22,1	12	29,5
MX11 08 XT D25	8	25	7,75	14	30
MX11 08 XT D50,4	8	50,4	22,1	14	30
MX11 10 XT D25	10	25	7,75	16	30
MX11 10 XT D50,4	10	50,4	22,1	16	30

MX 15 XT

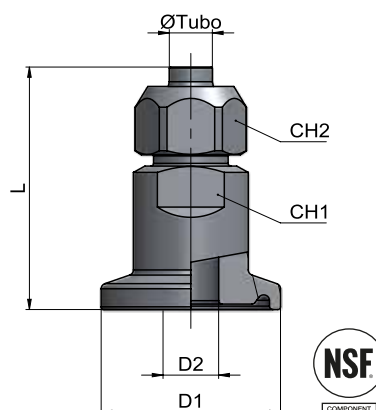
Clamp to push-in 90° fitting



Type	ØTube	D1	D2	D3	L	L1
MX15 06 XT D25	6	25	7,55	12	29,5	21,5
MX15 06 XT D50,4	6	50,4	22,1	12	29,5	21,5
MX15 08 XT D25	8	25	7,75	14	30	23
MX15 08 XT D50,4	8	50,4	22,1	14	30	23
MX15 10 XT D25	10	25	7,75	16	30	26
MX15 10 XT D50,4	10	50,4	22,1	16	30	26

CX 11 XT

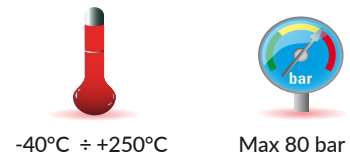
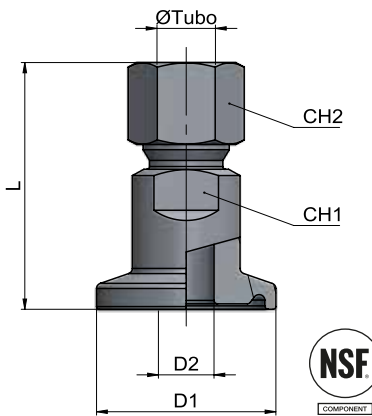
Clamp to push-on fitting



Type	ØTube	D1	D2	CH1	CH2	L
CX11 06 XT D25	6	25	7,75	12	12	21,5
CX11 06 XT D50,4	6	50,4	22,1	12	12	21,5
CX11 08 XT D25	8	25	7,75	14	13	23
CX11 08 XT D50,4	8	50,4	22,1	14	13	23
CX11 10 XT D25	10	25	7,75	16	16	26
CX11 10 XT D50,4	10	50,4	22,1	16	16	26

OX 11 XT

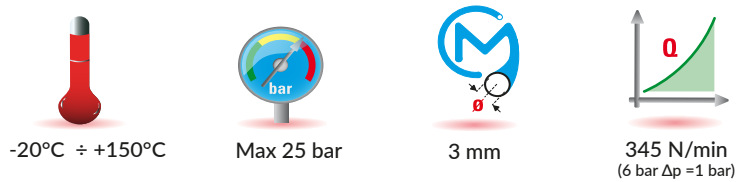
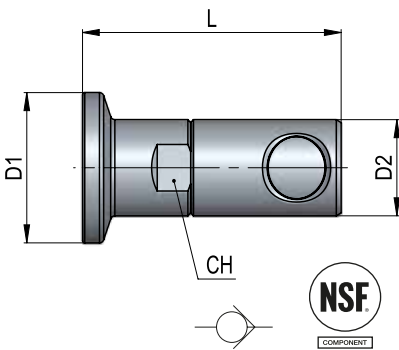
Clamp to compression fitting



Type	ØTube	D1	D2	CH1	CH2	L
OX11 06 XT D25	6	25	4,55	12	12	35,5
OX11 06 XT D50,4	6	50,4	22,1	12	12	35,5
OX11 08 XT D25	8	25	7,75	12	14	36
OX11 08 XT D50,4	8	50,4	22,1	12	14	36
OX11 10XT D25	10	25	7,75	16	19	40,5
OX11 10 XT D50,4	10	50,4	22,1	16	19	40,5

GX 30 -10 XT

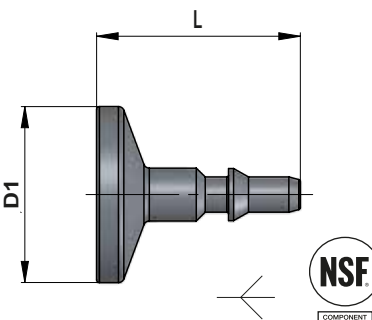
Clamp to quick coupling ISO 6150 C- 8 DN3 profile



Type	D1	D2	CH	L
GX30-10 00 XT D25	25	16	14	46,4

GX30-20 XT

Clamp to coupling ISO 6150 C- 8 DN3 profile



Type	D1	L
GX30-20 00 XT D25	25	28,4

cmatic